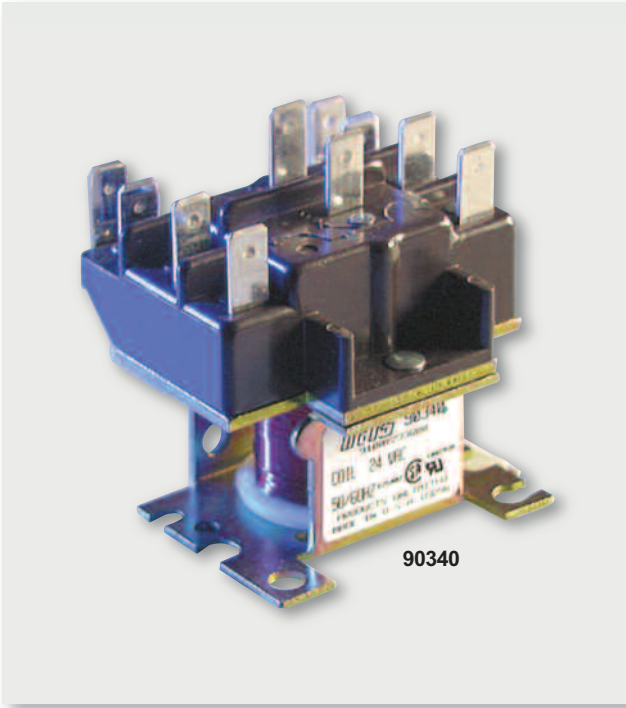


# MARS General Purpose Switching Relays

MARS SERIES **903**

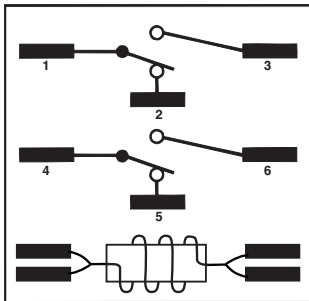


## 2-Pole Air Conditioning Relays

The MARS Series 903 switching relays are intended for many applications in air conditioning, refrigeration, and heating. Other uses include general purpose switching in appliances, fan controls, and vending machines. Our relays are available in 24, 110/120, and 208/240 coil voltages with various combinations of power and pilot duty contacts.

### Features:

- Replaces Honeywell and White-Rodgers/RBM - cross reference on package
- Double quick-connect terminals on coil
- 2.13 x 1.88 x 2.25 in.
- Base is designed for easy replacement of competitive relays
- Molded terminal numbers and circuit diagram on top of relay
- UL and CSA listings available



	POWER		PILOT	
	120V	208/240V	120V	208/240V
Full Load Amps	12	6	—	—
Resistive Amps*	15	15	3	3
Locked Rotor Amps	60	35	—	—
Horsepower	3/4	3/4	1/10	1/10

\*277 VAC

### Cross Reference Information

WR/RBM No.	MARS Replacement	HONEYWELL No.	MARS Replacement
90-340	<b>90340</b>	R4222B1082	<b>90344</b>
90-341	<b>90341</b>	R4222B1090	<b>90345</b>
90-342	<b>90342</b>	R4222D1013	<b>90341</b>
90-343	<b>90343</b>	R4222D1021	<b>90342</b>
90-344	<b>90344</b>	R4222N1010	<b>90348</b>
90-345	<b>90345</b>	R4222V1002	<b>90344</b>
90-346	<b>90346</b>	R4222V1010	<b>90345</b>
90-348	<b>90348</b>	R8222B1067	<b>90343</b>
		R8222D1014	<b>90340</b>
		R8222N1011	<b>90346</b>
		R8222V1003	<b>90343</b>

MARS NO.	COIL VOLTAGE	TERMINALS 1-2-3	TERMINALS 4-5-6
<b>90340</b>	24		
<b>90341</b>	110/120	Power	Power
<b>90342</b>	208/240		
<b>90343</b>	24		
<b>90344</b>	110/120	Power	Pilot
<b>90345</b>	208/240		
<b>90346</b>	24		
<b>90348</b>	208/240	Pilot	Pilot

Coil Data: 24-240 VAC @ 50/60 Hz; 21.5 VA Max.  
Inrush; 9.5 VA Max. Sealed