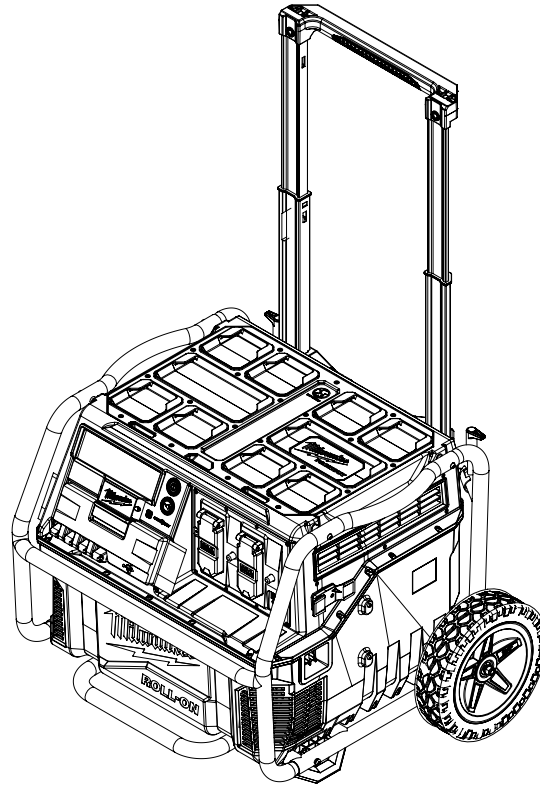




SERVICE PARTS LIST

BULLETIN NO.
54-00-3300

SPECIFY CATALOG NO. AND SERIAL NO. WHEN ORDERING PARTS		REVISED BULLETIN	DATE
ROLL-ON™ 7200W/3600W 2.5kWh Power Supply			May 2024
CATALOG NO.	3300R	SERIAL NO.	N87A
WIRING INSTRUCTION			



Only maintenance, service, repairs, and replacements of parts as defined in the Operator's Manual can be performed by the user.

All other repairs are to ONLY be performed by personnel authorized by MILWAUKEE TOOL. Do not attempt to install other parts; this COULD void your tool warranty.

For service, parts, or inquiries, contact us:

- Customer Service at 1.800.SAWDUST (1.800.729.3878)
- E-Service tool repair at: www.milwaukeetool.com/e-service
- Find a local authorized MILWAUKEE service location at Milwaukeetool.com
- Find a MILWAUKEE *factory* Service Center Location or MILWAUKEE *factory* Central Repair Center at Milwaukeetool.com. Send the following, posted paid and insured:
 - Your name, address, and phone number
 - Description of the issues
 - Copy of the proof of purchase
 - Tool, charger, and batteries involved with the issues

MILWAUKEE *factory* Central Repair Centers:

MILWAUKEE TOOL
Central Repair
1401 Sycamore Avenue
Greenwood, MS 38930

MILWAUKEE TOOL
Central Repair
2198 Southtech Drive
Greenwood, IN 46143

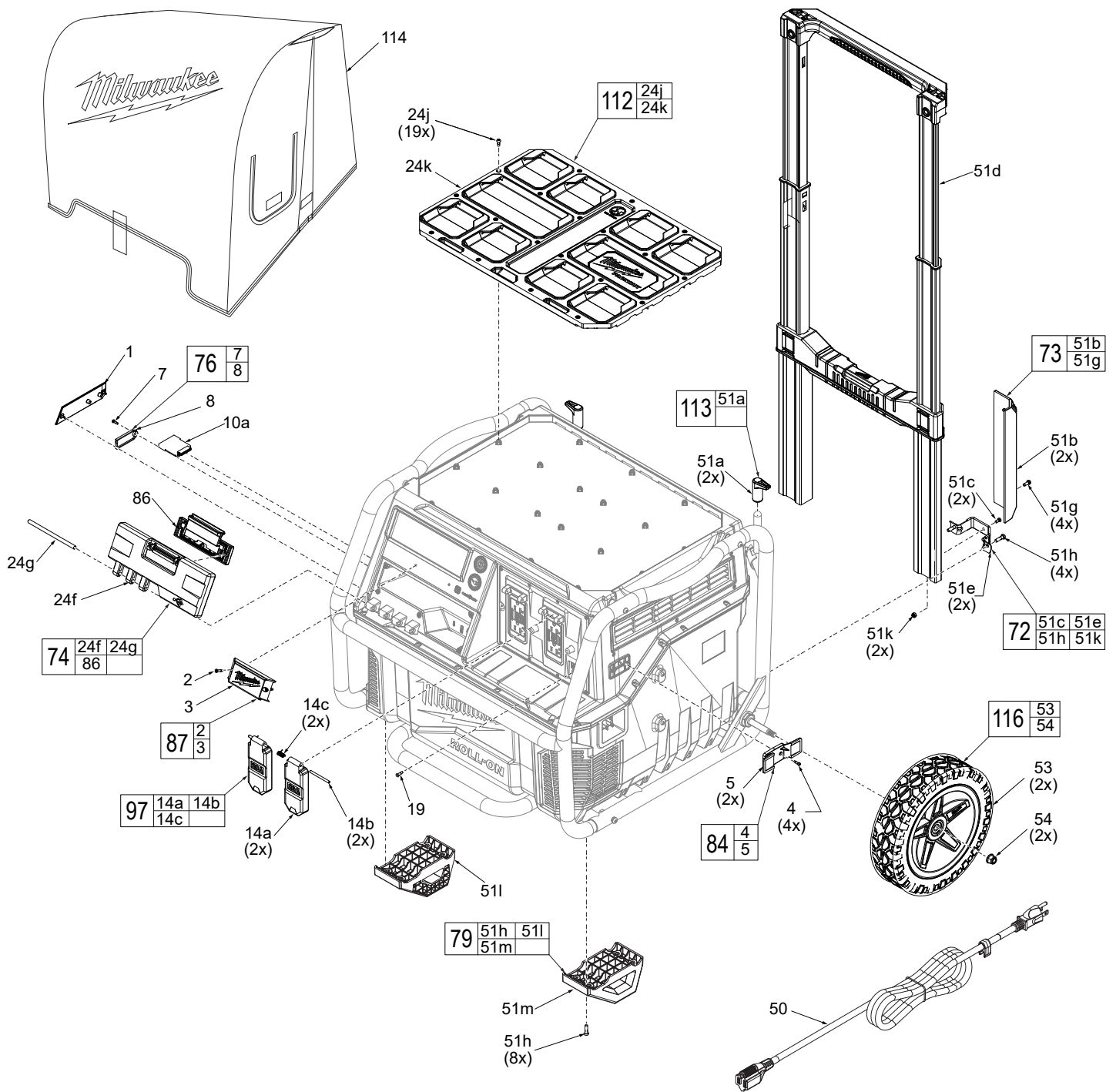


FIG.	PART NO.	DESCRIPTION OF PART	NO. REQ.	FIG.	PART NO.	DESCRIPTION OF PART	NO. REQ.
1	31-15-0228	ONE-KEY Card Cover Kit	1	51e	-----	Bottom Handle Bracket	2
2	05-74-0421	M3 x 16mm T-10 FH Screw	2	51g	-----	M4 x 20mm T-20 PH Screw	4
3	-----	Decorative Front Cover	1	51h	-----	M5 x 20mm T-25 PH Screw	12
4	05-81-0005	M3 x 11mm T-10 PH Screw	4	51k	-----	M4 Hex Nut with Nylon Insert	2
5	-----	Charger Cord Wrap	2	51l	-----	Left Leveling Foot	1
7	06-82-0154	M3 x 10mm T-10 TH Screw	1	51m	-----	Right Leveling Foot	1
8	-----	Service Port Cover	1	53	-----	Wheel	2
10a	14-20-0291	ONE-KEY card	1	54	14-46-1048	M8 Locknut w/Nylon Insert	2
14a	-----	Outlet Cover	1	72	14-46-1049	Mounting Bracket Kit	2
14b	-----	Pin	1	73	14-46-1050	Handle Skid Tip Kit (set of 2)	1
14c	-----	Spring	1	74	14-46-1051	Storage Cover Kit	1
19	05-74-0544	M4 Screw w/Spring Washer & Nylock	1	76	14-46-1054	Service Port Cover Kit	1
24f	-----	Storage Door	1	79	14-46-1056	Roll Cage Feet Kit (set of 2)	1
24g	-----	Dowel Pin	1	84	31-15-0319	Cord Wrap Kit	2
24j	-----	Packout Plate Screws	19	86	14-46-1066	Storage Door Latch Kit	1
24k	-----	Packout Plate	1	87	14-46-1067	Decorative Front Cover Kit	1
50	22-64-0026	Power Cord 6ft	1	97	14-46-1078	Outlet Cover Kit	2
51a	-----	Cord Wrap Tip	2	112	14-46-1091	Packout Plate Kit	1
51b	-----	Handle Skid Plate	2	113	14-46-1052	Cord Wrap Tip (set of 2)	1
51c	-----	M4 x 20mm T-25 PH Screw	2	114	48-11-3300	Cover (Accessory)	1
51d	48-22-8027	Handle Assembly	1	116	14-46-1046	Wheel Kit	2