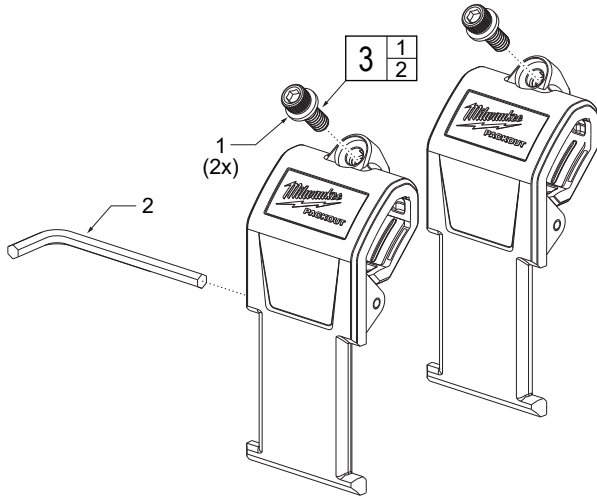




# SERVICE PARTS LIST

**BULLETIN NO.**  
**PN0011616**

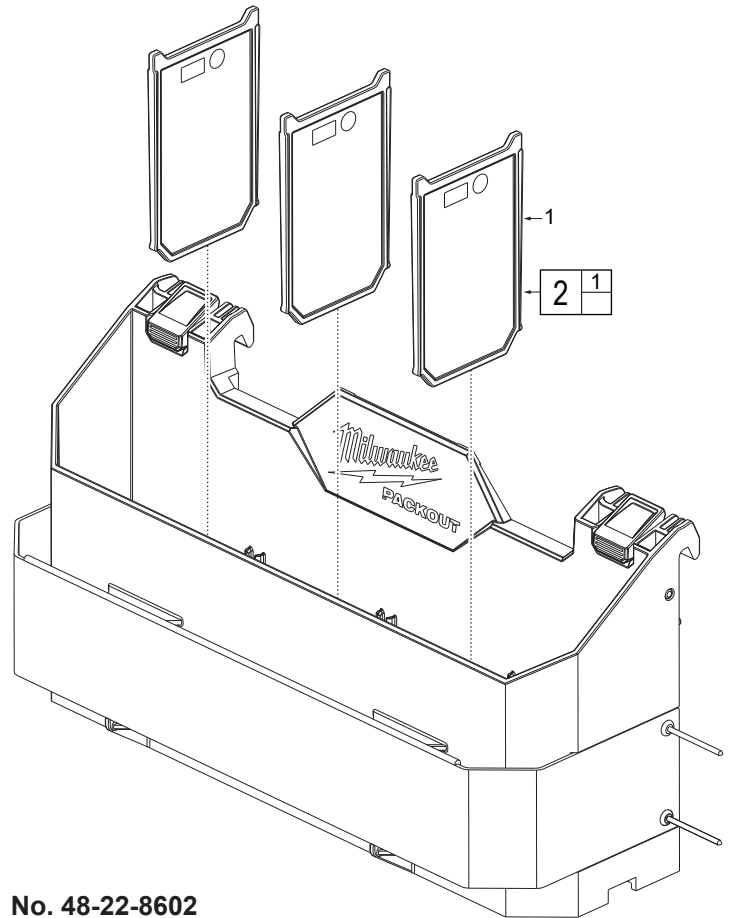
SPECIFY CATALOG NO. AND SERIAL NO. WHEN ORDERING PARTS		REVISED BULLETIN	DATE
<b>PACKOUT™ Accessories</b>			July 2025
<b>CATALOG NO. 48-22-8601</b>	PACKOUT™ Tool Box Attachment Mount		Pg. 1
<b>48-22-8602</b>	PACKOUT™ Tool Box Caddy Attachment		Pg. 1
<b>48-22-8603</b>	PACKOUT™ Tool Box M18™ Battery Rack Attachment		Pg. 1
<b>48-22-8604</b>	PACKOUT™ Tool Box M12™ Battery Rack Attachment		Pg. 2
<b>48-22-8605</b>	PACKOUT™ Tool Box Tray Attachment		Pg. 2
<b>48-22-8606</b>	PACKOUT™ Tool Box 3-Hook Attachment		Pg. 2
<b>48-22-8607</b>	PACKOUT™ Tool Box Long Tool Holder Attachment		Pg. 2
<b>48-22-8608</b>	PACKOUT™ Tool Box Compact Plate		Pg. 2



**No. 48-22-8601**  
**PACKOUT™ Tool Box Attachment Mount**

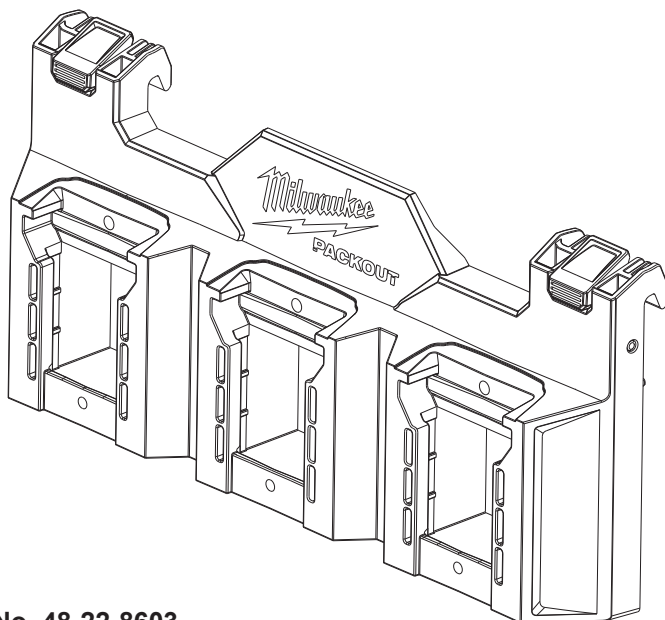
FIG.	PART NO.	DESCRIPTION OF PART	NO. REQ.
1	-----	Screw with Washer	(2)
2	-----	3/16" Hex Key Adapter	(1)
3	14-46-8700	Mounting Hardware Kit	(1)

**EXAMPLE:**  
Component Parts (Small #)  
Are Included When Ordering  
The Assembly (Large #).

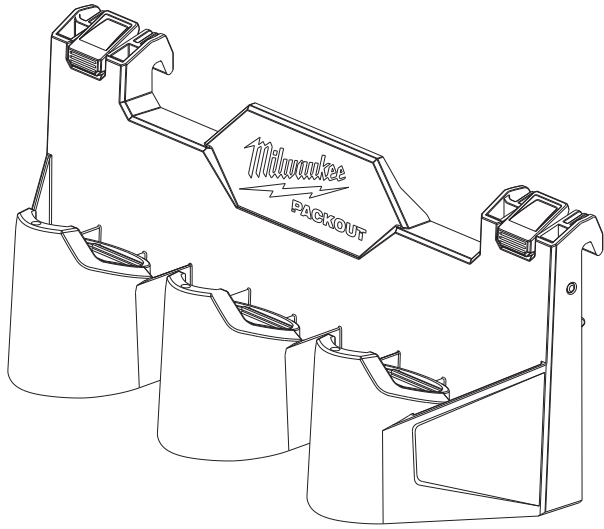


**No. 48-22-8602**  
**PACKOUT™ Tool Box Caddy Attachment**

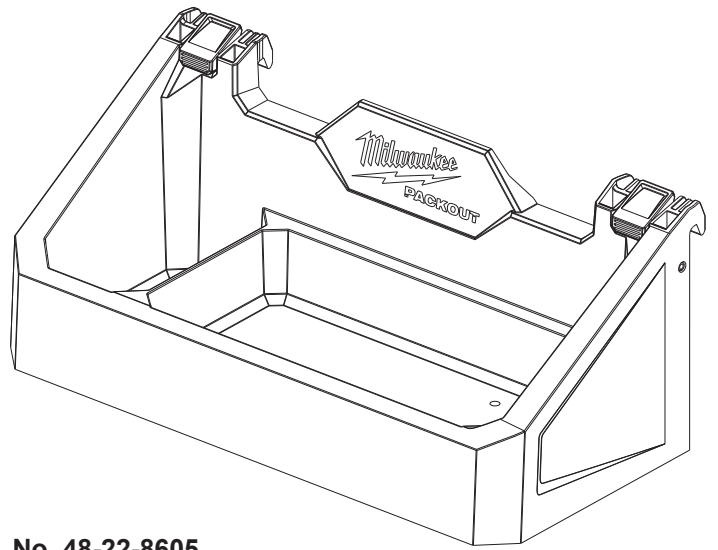
FIG.	PART NO.	DESCRIPTION OF PART	NO. REQ.
1	-----	Divider	(3)
2	14-46-8702	Hand Tool Caddy Divider Kit (Set of 3)	(1)



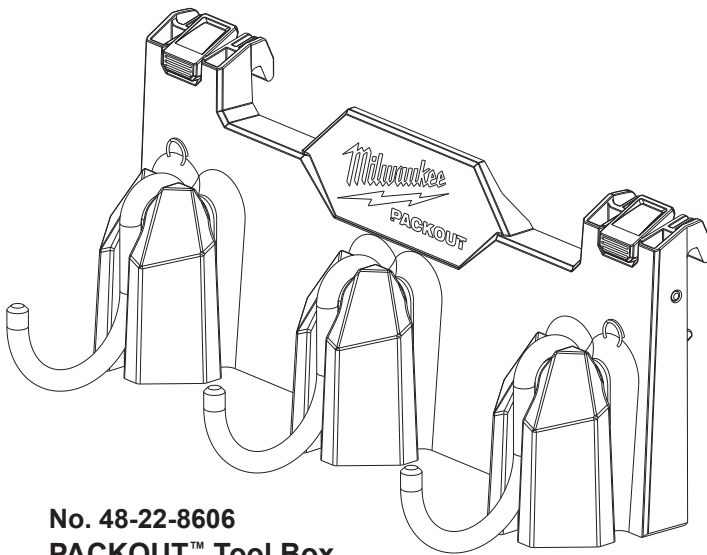
**No. 48-22-8603**  
**PACKOUT™ Tool Box M18™ Battery Rack Attachment**



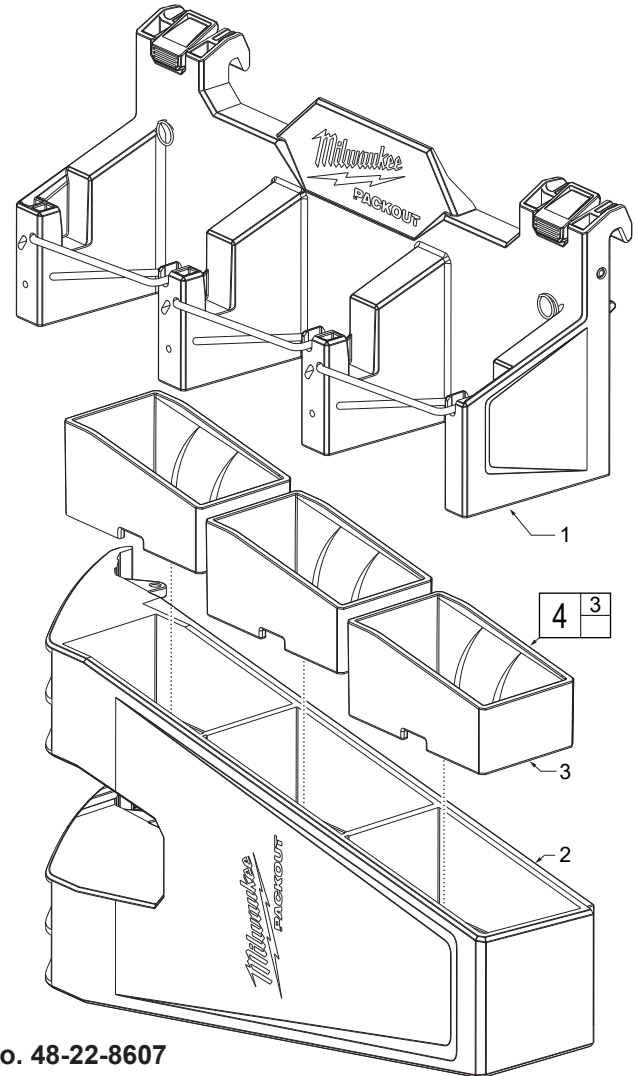
No. 48-22-8604  
**PACKOUT™ Tool Box**  
**M12™ Battery Rack Attachment**



No. 48-22-8605  
**PACKOUT™ Tool Box**  
**Tray Attachment**

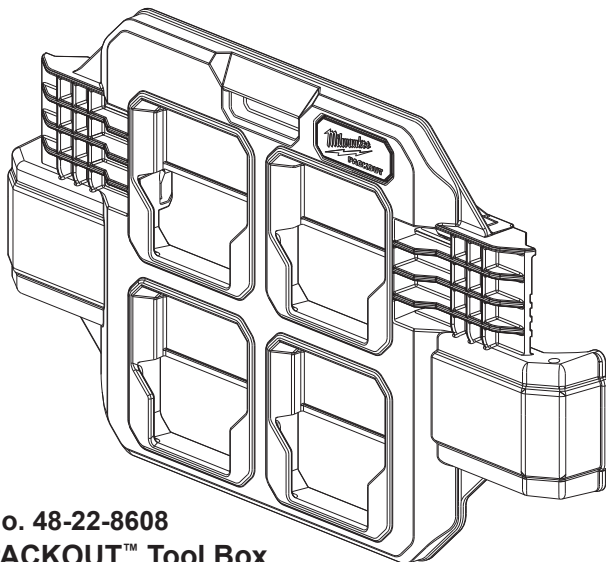


No. 48-22-8606  
**PACKOUT™ Tool Box**  
**3-Hook Attachment**



No. 48-22-8607  
**PACKOUT™ Tool Box**  
**Long Tool Holder Attachment**

FIG.	PART NO.	DESCRIPTION OF PART	NO. REQ.
1	-----	Upper Tool Box Long Tool Holder Attachment	(1)
2	-----	Lower Tool Box Long Tool Holder Attachment	(1)
3	-----	Caddy Insert	(1)
4	14-46-8701	Long Tool Caddy Inserts Kit (Set of 3)	(1)



No. 48-22-8608  
**PACKOUT™ Tool Box**  
**Compact Plate**