

## DESCRIPTION

- Non-metallic construction with various finishes identified by suffix
- Double check valve in handle

## OPERATION

- Single-function
- 1-5/16" diameter sprayhead

## FLOW

- Limited to 1.75 gpm max (6.7L/min) max.

## STANDARDS

- Designed and manufactured to comply with the applicable requirements of ASME A112.18.1/CSA B125.1, ASSE 1014 and all applicable requirements referenced therein
- Third party certified to WaterSense®

## WARRANTY

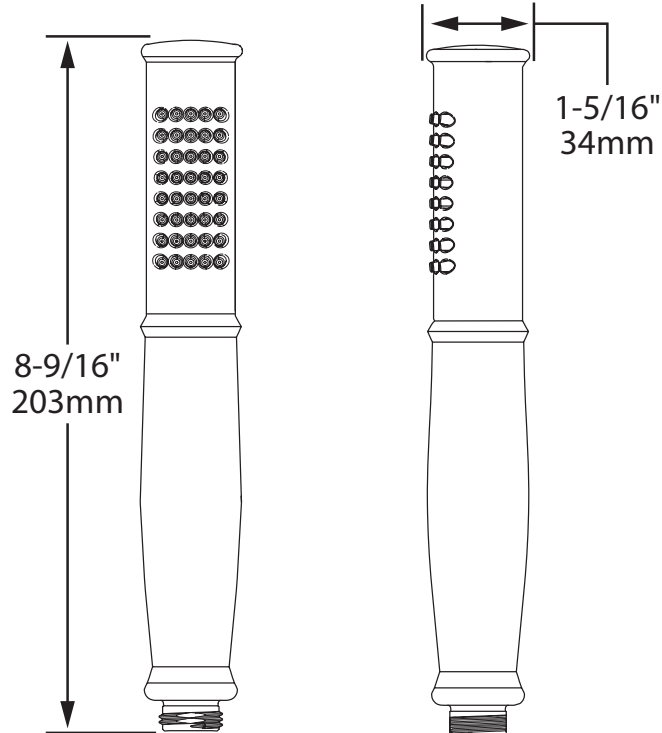
- Lifetime limited warranty against leaks, drips and finish defects to the original homeowner
- 10 year limited warranty when used in a multifamily installation
- 5 year limited warranty when used in a commercial installation

Visit [www.moen.com/support](http://www.moen.com/support) for complete details and limitations



**Hand Shower**

**Model:** 195957 series



## CRITICAL DIMENSIONS

(DO NOT SCALE)