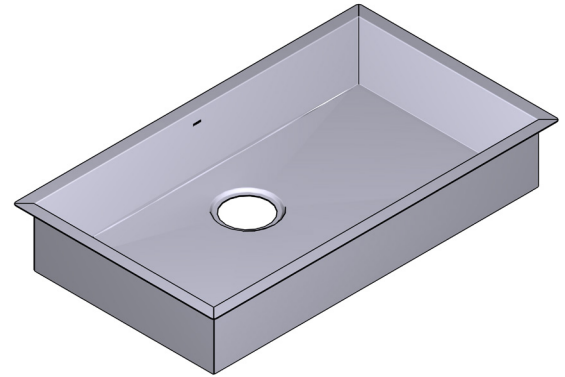


Model Number	Faucet Holes	Depth-Inches	Drain Placement
GS181210B	N/A	6"	Rear (Center)
BGS181210B <i>(Bulk Sku - Qty. 36)</i>	N/A	6"	Rear (Center)



SINK DESCRIPTION

- 1800 Series single bowl undermount sink
- 18 gauge stainless steel, brushed finish
- Mounting brackets included, no other hardware included
- SoundSHIELD™ sound absorbing system
- Zero millimeter radius
- Sink is orderable in bulk, 36 units, under model: **BGS181210B**

WARRANTY

- Lifetime limited warranty to the original homeowner
- 10 year limited warranty when used in a Multi-family installation
- 5 year limited warranty when used in a Commercial installation
- Visit www.moen.com/customer-support/warranty for complete details and limitations

SINK DIMENSIONS

- Overall: 31" x 18"
- Bowl: 29" x 16"
- Drain Size: 3-5/8"

CUT OUT DIMENSIONS

- Cut out template included
- Template ordering number 22519

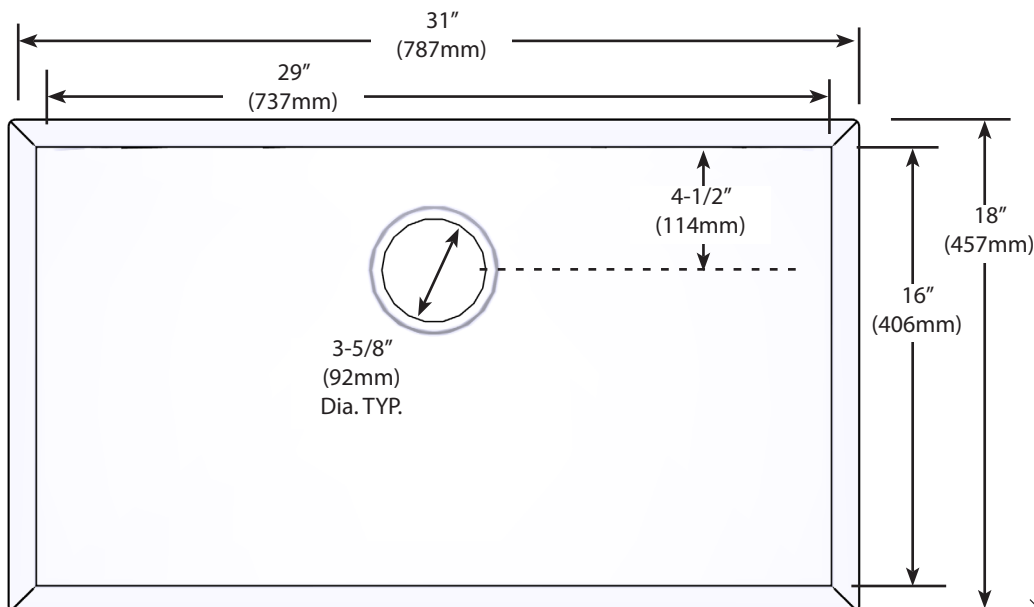
STANDARDS

- Third party certified to meet ASME A112.19.3/CSA B45.4 and all applicable specifications referenced therein



CRITICAL DIMENSIONS

(DO NOT SCALE)



Installation Detail

