

DESCRIPTION

- Metal construction with various finishes identified by suffix.
- 3/8" compression inlet connection
- Compatible with F9800 Advanced Carbon Filtration System and F9900 Reverse Osmosis System

OPERATION

- Lever style handle
- Operates with less than 5 lbs. of force

FLOW


- Flow is limited to 1.5 gpm (5.7 L/min) at 60 psi

CARTRIDGE

- Ceramic disc cartridge

STANDARDS

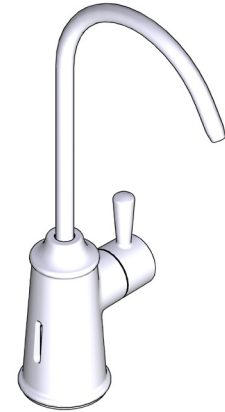
- Third party certified to IAPMO Green, ASME A112.18.1/CSA B125.1 and all applicable requirement referenced therein including NSF61/9 & 372
- Meets CalGreen and Georgia SB370 requirements
- Complies with California Proposition 65 and with the Federal Safe Drinking Water Act
- Certified by IAPMO R&T to NSF/ANSI 372 for Low Lead Content and NSF/ANSI 42, 58, and CSA B483.1 for material safety and structural integrity requirements

- ADA  for lever handles

WARRANTY

- 3 year limited warranty

Visit www.moen.com/support for complete details and limitations

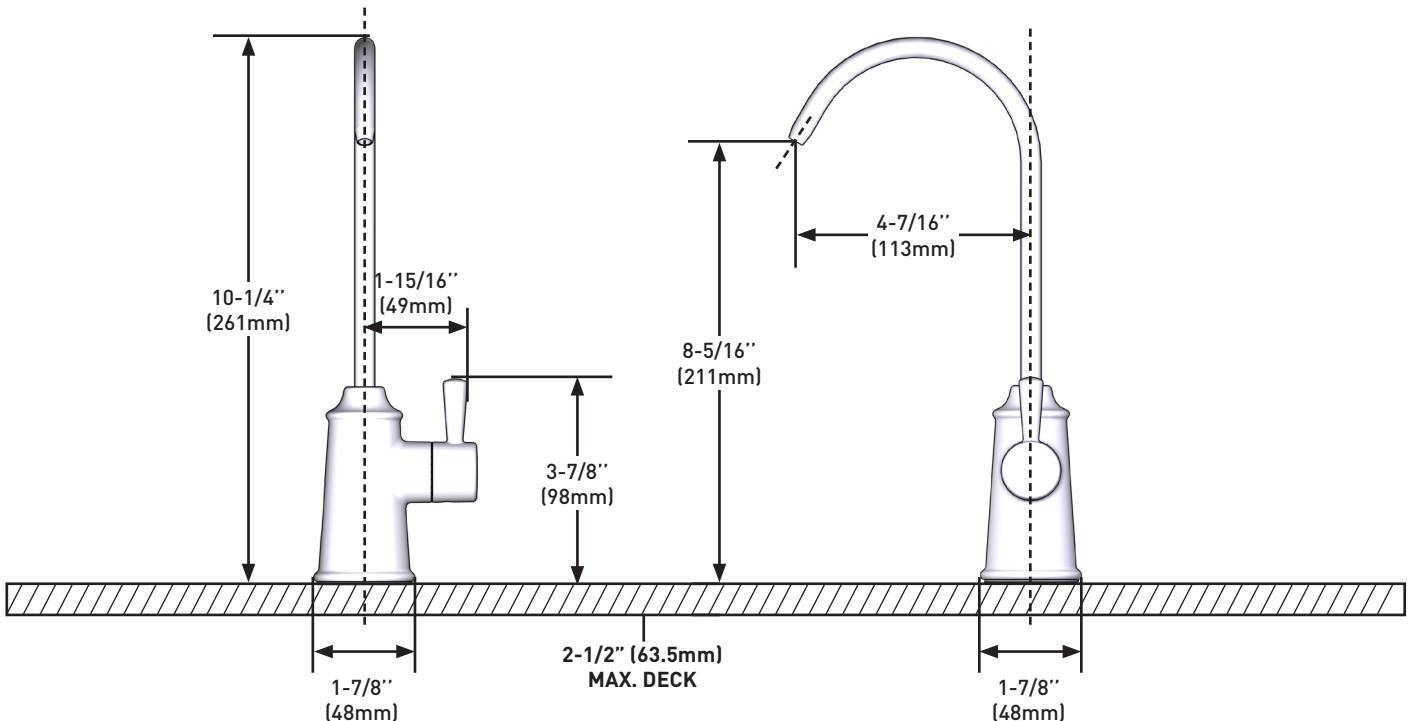


SIPTM

Traditional Faucet

MODELS: F7600 Series

NOTE: DESIGNED TO BE INSTALLED THROUGH 1 HOLE, 1-1/4" (32mm) MIN. DIA.



CRITICAL DIMENSIONS DO NOT SCALE