

# MOEN®

# Specifications

## DESCRIPTION

- Metal construction with various finishes identified by suffix
- Shower Only kits include showerhead, arm, flange
- Tub/shower kits include showerhead, arm, flange and diverter spout

## OPERATION

- Handle operates counterclockwise through 150° arc with off at 6 o'clock and maximum hot at the 1 o'clock position. Shut off in clockwise direction
- Adjustable temperature limit stop to control maximum hot water temperature
- Pressure balancing mechanism maintains selected discharge temperature to +/- 3.6°F (+/-2°C)

## FLOW

- EP suffix models contain a showerhead limited to 1.75 gpm (6.6 L/min)

## CARTRIDGE

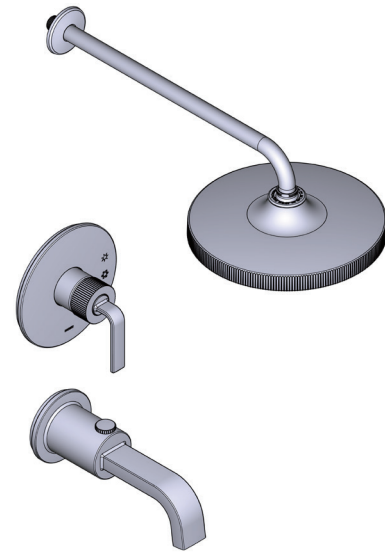
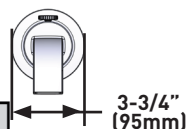
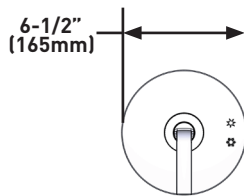
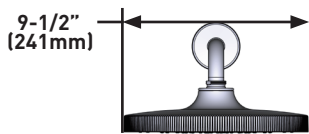
- 1212 Ceramic Disk Temperature Control Cartridge
- Non-metallic/non-ferrous and plastic material
- Accommodates back to back installations

## STANDARDS

- Third party certified to ASME A112.18.1/CSA B-125-1, ASSE 1016/ASME A112.1016/CSA B.125.16 and all applicable requirements reference therein
- Moen's M-CORE™ pressure balance system is capable of meeting the pressure and temperature variation requirements of ASSE 1016/ASME A112.1016/CSA B125.16 when tested as low as 1.3 gpm (4.9 L/min)
- EP suffix models are third party certified to EPA WaterSense®
- ADA compliant for lever handle

## WARRANTY

- Lifetime limited warranty against material or manufacturing defects to the original homeowner
- 10 year limited warranty when used in a multifamily installation
- 5 year limited warranty when used in a commercial installation
- Visit [www.moen.com/support](http://www.moen.com/support) for complete details and limitations



## Cambium™ M-CORE™ 2-Series

Single-Handle Tub/Shower Trim

- MODELS** UTS22583EP Series - Tub/Shower Trim  
 UTS22582EP Series - Shower Trim  
 UTS22581 Series - Valve Trim

### NOTE:

Valves: U130 Series and U140 Series

