

Condensation Pan

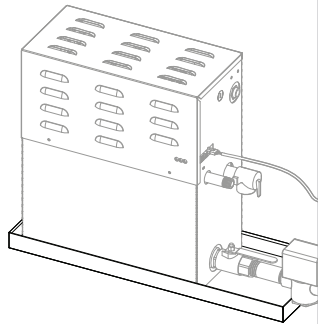
MrSteam provides a condensation pan in the unlikely event of a plumbing leak.

Locate the condensation pan on a solid level surface and place the steam generator inside the condensation pan.

Insure the steam generator is level (see page 4 for locating the steam generator).

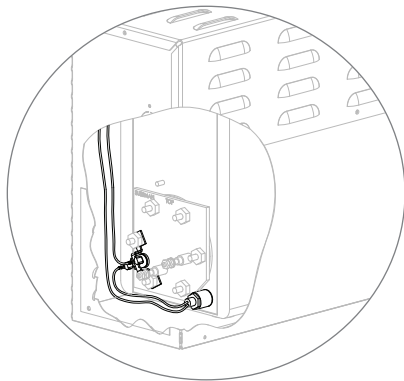
All plumbing shall be performed by a qualified licensed plumber and in accordance with applicable national and local codes. Check local plumbing code for receptor, trap and vent requirements.

Condensation pans drain by gravity. The condensation pan is equipped with an integral 3/4" NPT fitting.



Express Steam®

(Factory installed)



All CT models have Express Steam standard. Express Steam is equipped with a low power heating element and thermostat to keep the water in the tank warm enough to bring up steam quicker. All Express Steam components and wiring are installed at the factory. No additional wiring or plumbing is required by installers.

NOTICE FOR ILLUSTRATIVE PURPOSES ONLY

Some components may be omitted or altered for clarity. Do not use for wiring, repair or other purposes not related to component identification.

Replacement Parts List

Part No.	Description	Product
99178CT	Drain Valve	All models
99297	Safety Valve 15PSI	All models
100479-2	Water Feed Solenoid Valve w/filter	All models
100477-3	Transformer 24VAC	All models
104288	Liquid Level Control Board	All models
103990-60	Cable for iTempo/Plus Control (60 ft.)	iTempo/Plus only
MSTS-30	Remote Temperature Probe (integral 30ft cable)	All Models
MSTS-60	Remote Temperature Probe (integral 60ft cable)	All models
100476-2	Contactor 50A 2-pole	CT6E & CT9E, Single phase
99012	Contactor 50A 3-pole	All 3-Phase models
103453	Contactor 50A 4-pole	CT12E
100471-2	Probe Assembly	All models
99096MS	Heating Element Gasket	All models
103412	Acrylic Shield	All Models
99314	Power Fuse 60A 250V	CT12E, Single phase
29061BMS	Heating Element 6 KW 208V	CT6E, Single Phase
29061CMS	Heating Element 6 KW 240V	CT6E, Single Phase
29091BMS	Heating Element 9 KW 208V	CT9E, Single Phase
29091CMS	Heating Element 9 KW 240V	CT9E, Single Phase
29121BMS	Heating Element 12 KW 208V	CT12E, Single Phase
29121CMS	Heating Element 12 KW 240V	CT12E, Single Phase
29151BMS	Heating Element 15 KW 208V	CT15E, Single Phase
29151CMS	Heating Element 15 KW 240V	CT15E, Single Phase
103978-60	Cable for CT-SteamStop (60 ft.)	All models
104016	Thermostat	All models
104015	Express Steam Thermostat	All models
104019	Heating element for Express Steam	All models
104117-30	Cable for iSteam (30 ft.)	iSteam Only
104117-60	Cable for iSteam (60 ft.)	iSteam Only