



Technical Sheet

14 Gauge Vandal Resistant Universal Barrier-Free VersaCooler® II

- PGV8ACSL-14G
- PGVACSL-14G

Suggested Specification

PGV8ACSL-14G shall deliver 8.0 gph of 50° F water at 90° F ambient and 80° F inlet water per ASHRAE 18 testing. Cabinet and top basin shall be 14 gauge stainless steel, with a heavy duty galvanized frame, with galvanized steel screens to prevent objects from being inserted into ventilation panels or underside of unit. Unit shall include a single vandal resistant push button to activate the flow of water. One-piece low flow vandal resistant chrome plated solid construction bubbler keyed into place to prevent vandalism. Cooling system shall use R-134a refrigerant, shall comply with ANSI A117.1 and ADA, listed by UL to U.S. and Canadian Standards, and NSF/ANSI 61 and NSF/ANSI 372.

Models

- PGV8ACSL-14G delivers 8.0 gallons of chilled drinking water per hour
- PGVACSL-14G is a non-refrigerated fountain

Standard Features

- Built-in 100 micron strainer stops particles before they enter the waterway
- Waterways are lead free in materials & construction
- 14 gauge Stainless Steel construction
- One-piece vandal resistant bubbler keyed into position
- Single vandal resistant mechanical activation
- Stream height adjustment

Finishes

- Standard cabinet finish: Stainless steel

Installation

- Prior to roughing, consult with local, state and federal codes for proper mounting height
- Shipped with complete instructions
- Removable front panel provides access for installation

Options

- Versafilter

Limited 5-Year Warranty

(Continental limits of the United States and Canada): Five years on the sealed refrigeration system and most component parts. Detailed warranty certificate enclosed with each water cooler; sample available upon request.



Models can be installed left high and right low or right high and left low

Export Warranty

One year on the sealed refrigeration systems and most component parts. Detailed warranty certificate enclosed with each drinking fountain; sample copy available upon request.

Certifications/Compliance

- Certified to UL 399 and CAN/CSA C22.2 No.120 (electric water coolers only)
- Product Certified to NSF/ANSI Standard 61-G & 372 and conforms with the lead content requirements for "Lead Free" plumbing as defined by California, Vermont, Maryland, and Louisiana state laws and the U.S. Safe Drinking Water Act.
- These water coolers comply with the requirements of ADA (Americans with Disabilities Act) when properly installed.
- This unit is rated for outdoor use when properly installed.



WARNING:
Cancer and Reproductive Harm
www.P65Warnings.ca.gov

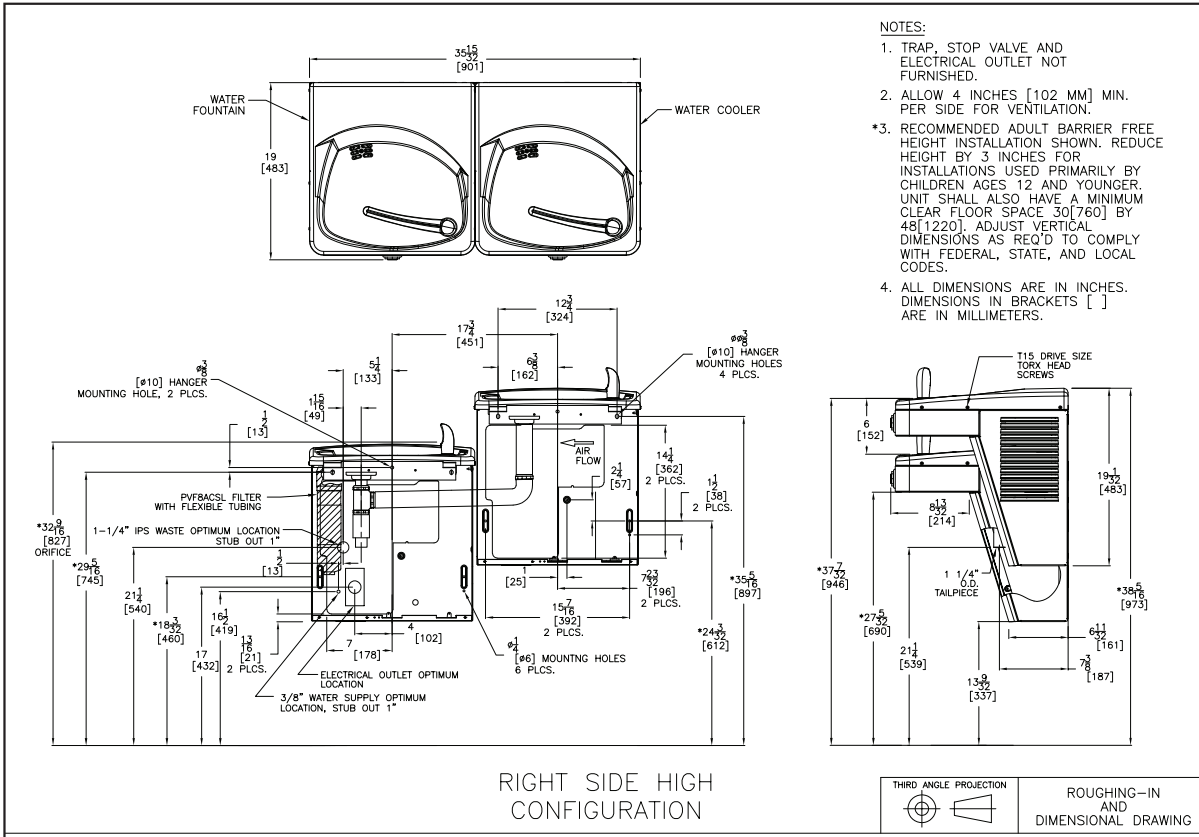


Model	50° F Drinking Water 90° F Ambient Air Temp*			Hot'N Cold™ Model	115 Volts, 60 HZ			Glass Filler Acc. Option	Cabinet Color Finish	Net Wt. Approx.
	Rated Capacity GPH	Base Rate GPH	Pre-Cooler		Compr. HP	Full Load Amps	Rated Watts			
PGV8ACSL-14G	8.0	8.0	No	No	1/4	4.6	460	No	No	75 Lbs
PGVACSL-14G	Fountain Only							No	No	?? Lbs

*Industry standard rating condition 80° F inlet water temperature

Specifications subject to change without notice

OASIS® BI-LEVEL VERSACOOLER® II MODELS



- NOTES:
1. TRAP, STOP VALVE AND ELECTRICAL OUTLET NOT FURNISHED.
 2. ALLOW 4 INCHES [102 MM] MIN. PER SIDE FOR VENTILATION.
 3. RECOMMENDED ADULT BARRIER FREE HEIGHT INSTALLATION SHOWN. REDUCE HEIGHT BY 3 INCHES FOR INSTALLATIONS USED PRIMARILY BY CHILDREN AGES 12 AND YOUNGER. UNIT SHALL ALSO HAVE A MINIMUM CLEAR FLOOR SPACE 30[760] BY 48[1220]. ADJUST VERTICAL DIMENSIONS AS REQ'D TO COMPLY WITH FEDERAL, STATE, AND LOCAL CODES.
 4. ALL DIMENSIONS ARE IN INCHES. DIMENSIONS IN BRACKETS [] ARE IN MILLIMETERS.



- NOTES:
1. TRAP, STOP VALVE AND ELECTRICAL OUTLET NOT FURNISHED.
 2. ALLOW 4 INCHES [102 MM] MIN. PER SIDE FOR VENTILATION.
 3. RECOMMENDED ADULT BARRIER FREE HEIGHT INSTALLATION SHOWN. REDUCE HEIGHT BY 3 INCHES FOR INSTALLATIONS USED PRIMARILY BY CHILDREN AGES 12 AND YOUNGER. UNIT SHALL ALSO HAVE A MINIMUM CLEAR FLOOR SPACE 30[760] BY 48[1220]. ADJUST VERTICAL DIMENSIONS AS REQ'D TO COMPLY WITH FEDERAL, STATE, AND LOCAL CODES.
 4. ALL DIMENSIONS ARE IN INCHES. DIMENSIONS IN BRACKETS [] ARE IN MILLIMETERS.



OASIS INTERNATIONAL

www.oasiscoolers.com

222 East Campus View Blvd.
Columbus, OH 43225

1-800-646-2747