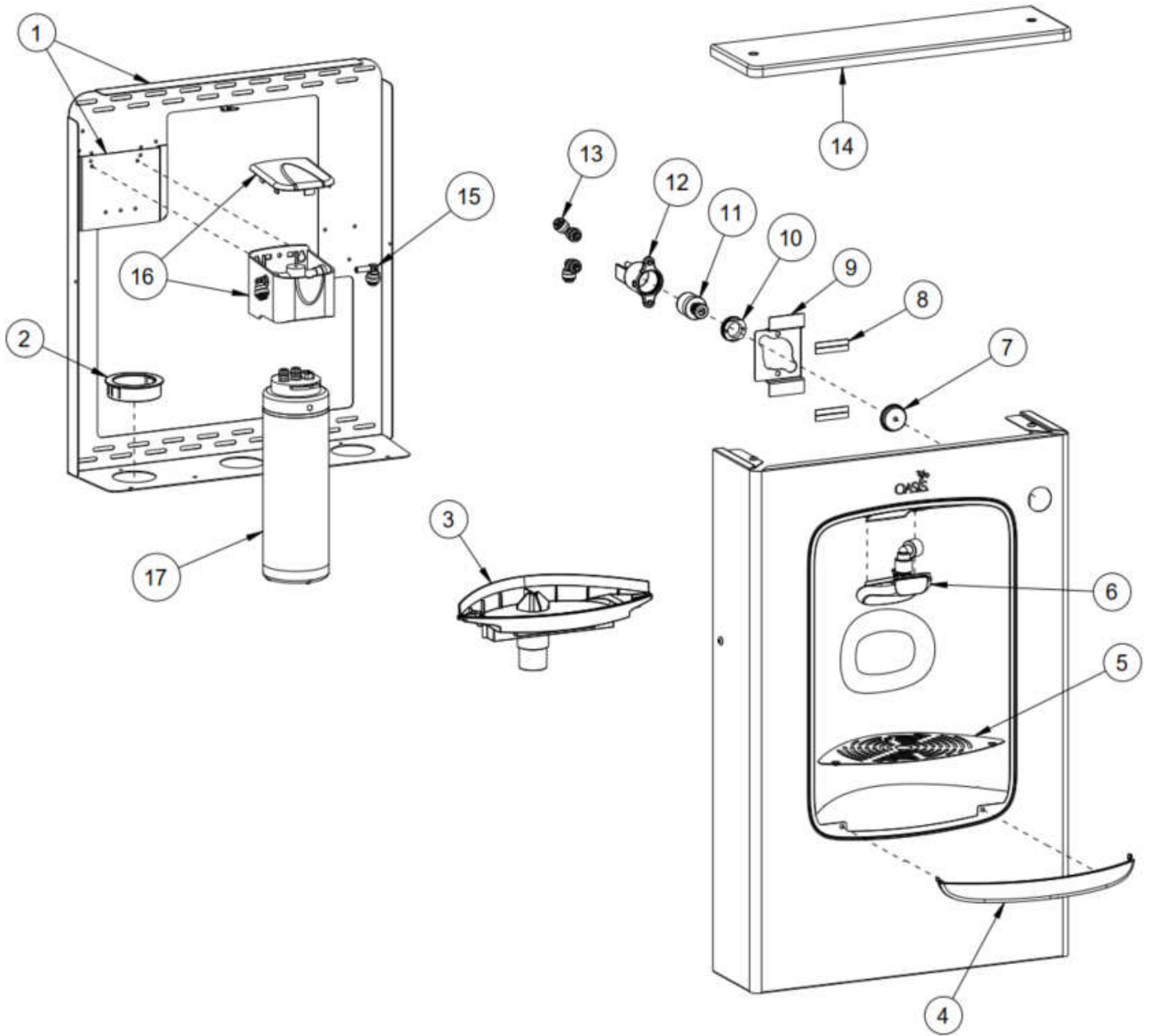


PWSMSBF-002, PWSMFSBF-002 Illustrated Parts Breakdown



ITEM	QTY	P/N	Description
1	1	041410-002	FILTER BRACKET FRAME ASSEMBLY
2	1	027189-011	BUSHING, SNAP 2"
3	1	042372-001	DRIPTRAY, SURFM
4	1	042370-001	COVER, FRONT
5	1	042374-001	GRILLE, DRIPTRAY
6	1	041404-001-SP	ASM, SPOUT
7	1	038273-001	PUSH BUTTON

ITEM	QTY	P/N	Description
8	6.6"	041370-002	TAPE, VHB
9	1	041494-001	BRACKET, CARTRIDGE
10	1	A020957	NUT, RETAINING PLASTIC
11	1	029967-005	CARTRIDGE, 4.25# SPRING
12	1	035990-001	HOLDER, CARTRIDGE
13	2	028481-101	FITTING, UNION ELBOW 1/4"OD
14	1	036686-001	CAP, PWSBF

PWSMFSBF Only			
15	1	029994-103	FITTING, ELBOW PLUG IN 1/4"OD
16	1	041146-001	FILTER HEAD ASSEMBLY,SINGLE STAGE
17	1	041145-001	FILTER CARTRIDGE, VERSAFILTER III

PWSMSBF-002, PWSMFSBF-002 Illustrated Parts Breakdown



© 2023 LVD Acquisition, LLC

Oasis, Aqua Pointe, Versacooler and VersaFiller are registered trademarks of LVD Acquisition, LLC dba Oasis International

041365-005, Date: 7/2023



OASIS INTERNATIONAL
222 East Campus View Blvd.
Columbus, OH 43235
614-861-1350
www.oasiscoolers.com