

User Guide

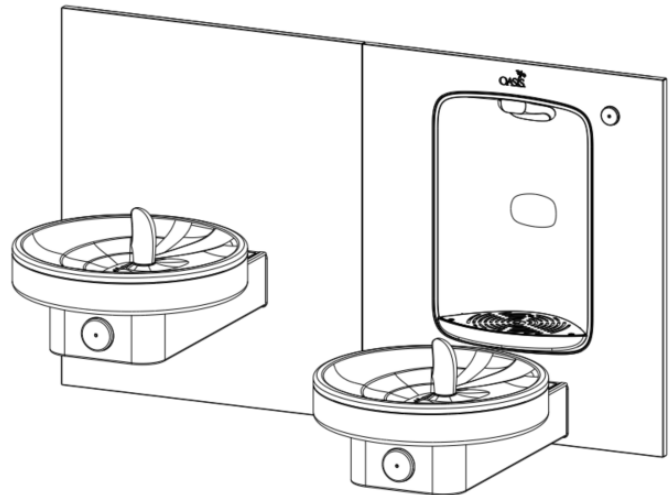
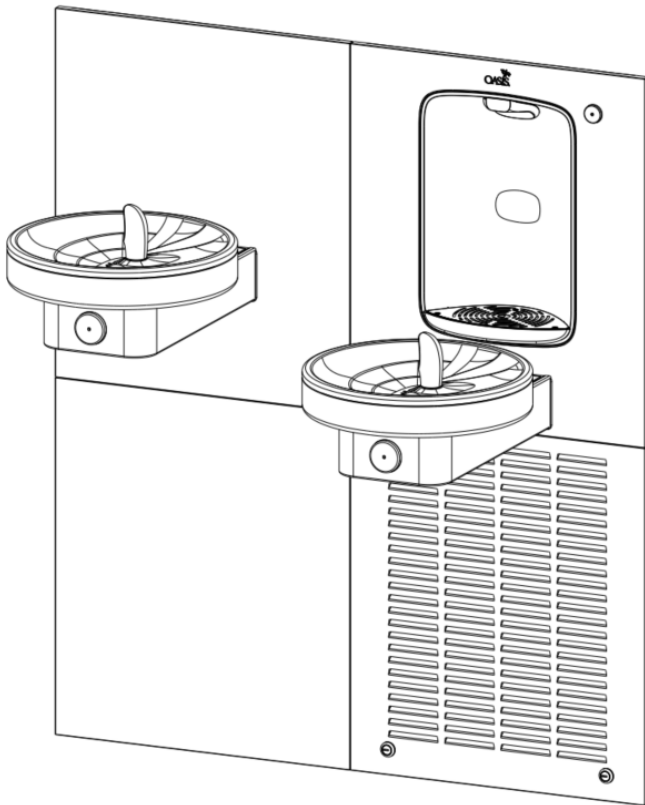
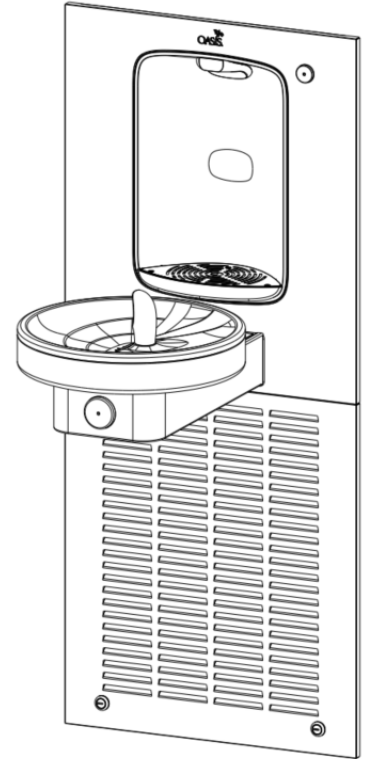


AQUA POINTE® Drinking Fountain with Sports Bottle Filler Series

MWRSBF, M8WRSBF, M12WRSBF

M8CRSBF, M12CRSBF

MMRSLSBF



OASIS® AQUA POINTE® DRINKING FOUNTAIN WITH SPORTS BOTTLE FILLER

INSTRUCTIONS

1. INSPECTION

Inspect the cartons and various components for evidence of rough handling and concealed damage. Damage claims should be filed with the carrier.

2. MAINTENANCE (Fountains with Cooling Unit)

The only maintenance required is the removal of dirt and lint from the condenser. Inspection should be made at 3 month intervals. Remove the grille and clean the condenser with a vacuum attachment.

3. OVERLOAD PROTECTION (Fountains with Cooling Unit)

The compressor motor is equipped with an automatic reset protector which will disconnect the compressor motor from the power source in case of overload.

4. LUBRICATION (Fountains with Cooling Unit)

This unit is equipped with a sealed fan motor and hermetically sealed compressor. No additional lubrication is required.

5. TO DISCONTINUE USE OF FOUNTAINS WITH COOLING UNITS

Drain cooler when removed from service: (1) Remove grille, (2) Close supply valve, (3) Provide container to catch water, and remove drain plug, (4) Remove bubbler.

7. INSTALLATION, PLUMBING & ELECTRICAL CONNECTIONS

- a) **Note:** The following states require a licensed plumber to install cooler; AR, GA, MA, MI, OK, RI, SC, SD, TX, VT and WI. CA, KS, MN, NM and OR allow for a state-registered installer or contractor as well. State and local plumbing codes may prohibit the use of saddle tapping valves for water line connection in some applications. All connections must conform to applicable plumbing codes.
- b) Plumbing rough-in and wall opening should be prepared as shown on Roughing-in drawing. This drinking water cooler is designed to be operated at a water supply line pressure of up to 100 psi (690 kPa). A pressure regulator must be installed in front of the unit's water inlet if the water pressure (including any possible pressure spikes) could exceed 100 psi (690 kPa).
- c) Insert frame assembly into wall opening and secure to studs. **NOTE: FRONT FLANGE OF FRAME(S) MUST BE FLUSH WITH THE FINISHED WALL SURFACE.**
- d) Models with cooling unit, refer to page 7 diagram. **FIRST**, Secure cradle mounting angles to frame rear flange using 4 screws provided. **SECOND**, slide cradle between angles and attach to angles with 4 screws provided. (Cradle is used only when cooling unit is to be installed.) **NOTE: BOTTOM FLANGE ON CRADLE IS TO BE BEHIND FRAME FRONT FLANGE.**
- e) Slide cooling unit onto cradle.
- f) It is recommended that flexible conduit be used to supply power to cooling unit. Check electric current available. Type and voltage must be the same as listed on unit data plate. This drinking water cooler is intended to be connected to a 20A minimum ground fault circuit interrupting (GFCI) device to meet UL requirements.
- g) Install provided waste tee to bottle filler tailpiece.
- h) Install the fountain mounting plate to the frame assembly using provided screws.
- i) Place upper panel(s) in place on frame top angle and fasten with 2 flat head screws, provided, at the bottom.
- j) Remove bottom plate(s) from fountain arm(s). Save the screws.
- k) Snap reveal gasket(s) over back end(s) of fountain arm(s).
- l) Add compression connector(s), furnished by others, to fountain waste tube(s) and slide back approximately 3" out of way. Use a 3/8 compression fitting for water line connections, provided by others. An internal strainer is provided for water line connection. For dielectric isolation of fountain(s) a non-metallic water line connection can be used.



- m) Hang fountain(s) on mounting plate studs. **NOTE: AS THE FOUNTAIN IS HUNG, FEED THE WASTE TUBE INTO THE WASTE STUB ON THE WALL SIDE.**
- n) Tighten fountain(s) to mounting plate(s) with the 5/16-18 nuts and washers and the 1/4-20 bolts and washers provided.
- o) Complete plumbing to fountain(s) and bottle filler. Tighten waste connection(s) and then connect water supply line(s) with the 3/8 compression fitting. When installing split level models, hang upper fountain first, then connect water tube assembly provided to its water inlet. Hang lower fountain next and connect the tube to its water inlet supply line. For combination units with chillers, hang upper unit first and connect chiller tube, provided, containing tee to fountain water inlet tube with compression fitting, provided, and then to chiller unit water out fitting. Hang lower unit next and connect long connecting tube, provided, to tee and then to fountain with other compression fitting.

WARNING

The warranty and the Underwriters' Laboratory Listing for this machine are automatically voided if this machine is altered, modified, or combined with any other machine or device. Alteration or modification of this machine may cause serious flooding and/or hazardous electrical shock or fire.

EXCEPT AS SET FORTH HEREIN, THE MANUFACTURER MAKES NO OTHER WARRANTY, GUARANTEE OR AGREEMENT EXPRESSED, IMPLIED, OR STATUTORY, INCLUDING ANY IMPLIED WARRANTY OR MERCHANTABILITY OR FITNESS FOR A PARTICULAR PURPOSE.

This appliance is not intended for use by persons (including children) with reduced physical sensory or mental capabilities or who lack the experience and knowledge, unless they have been given the supervision or instruction concerning use of the appliance by a person responsible for their safety. Children should be supervised to ensure they don't play with the appliance.

OASIS INTERNATIONAL
222 East Campus View Blvd. • Columbus, OH 43235 U.S.A.
1-800-950-3226
www.oasiscoolers.com

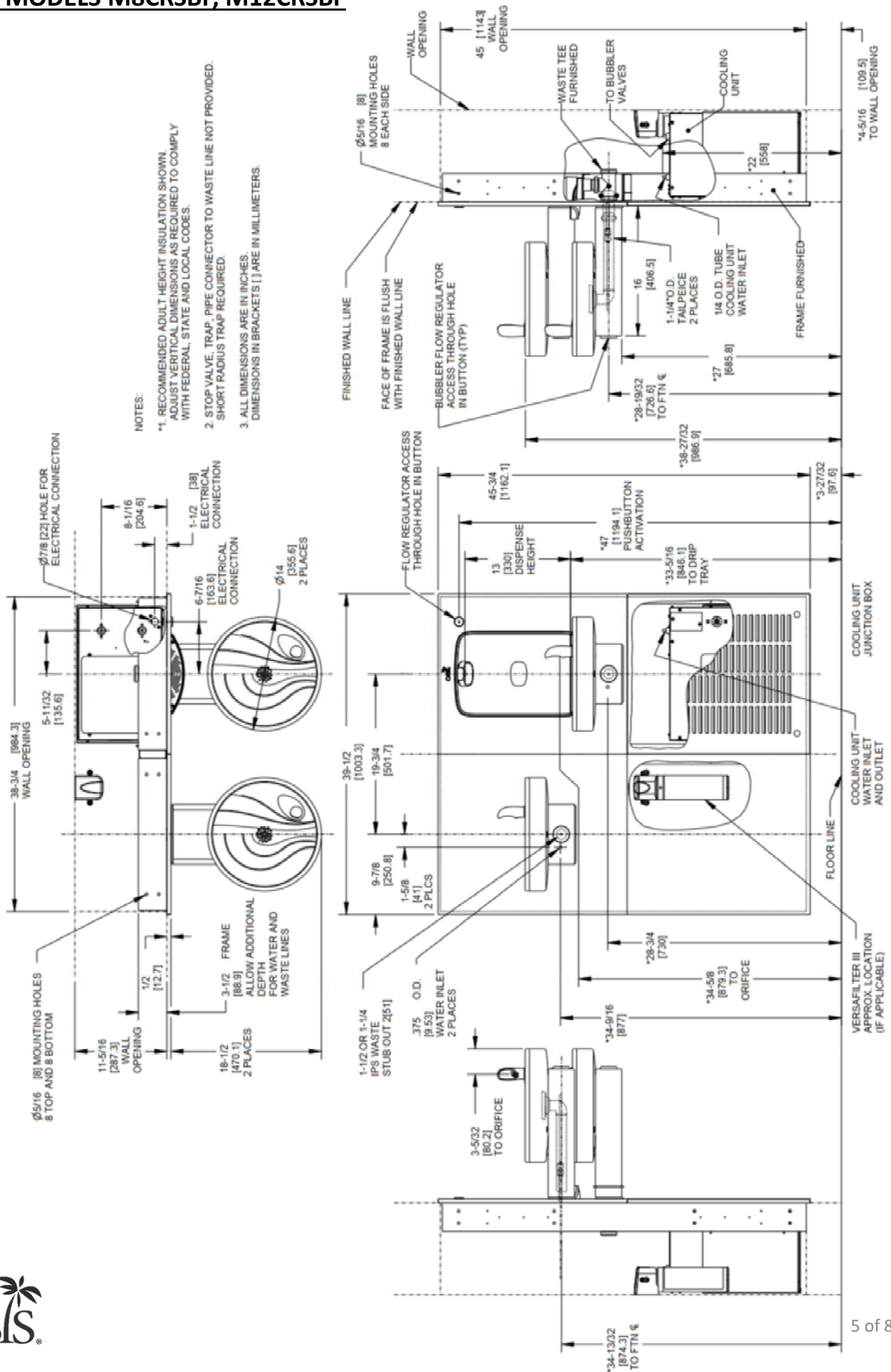
OASIS®, Aqua Pointe® and Versafiller® are registered trademarks of
LVD Acquisition, LLC dba Oasis International

© 2023 LVD Acquisition, LLC
030099-712, Rev. A, 7/2023



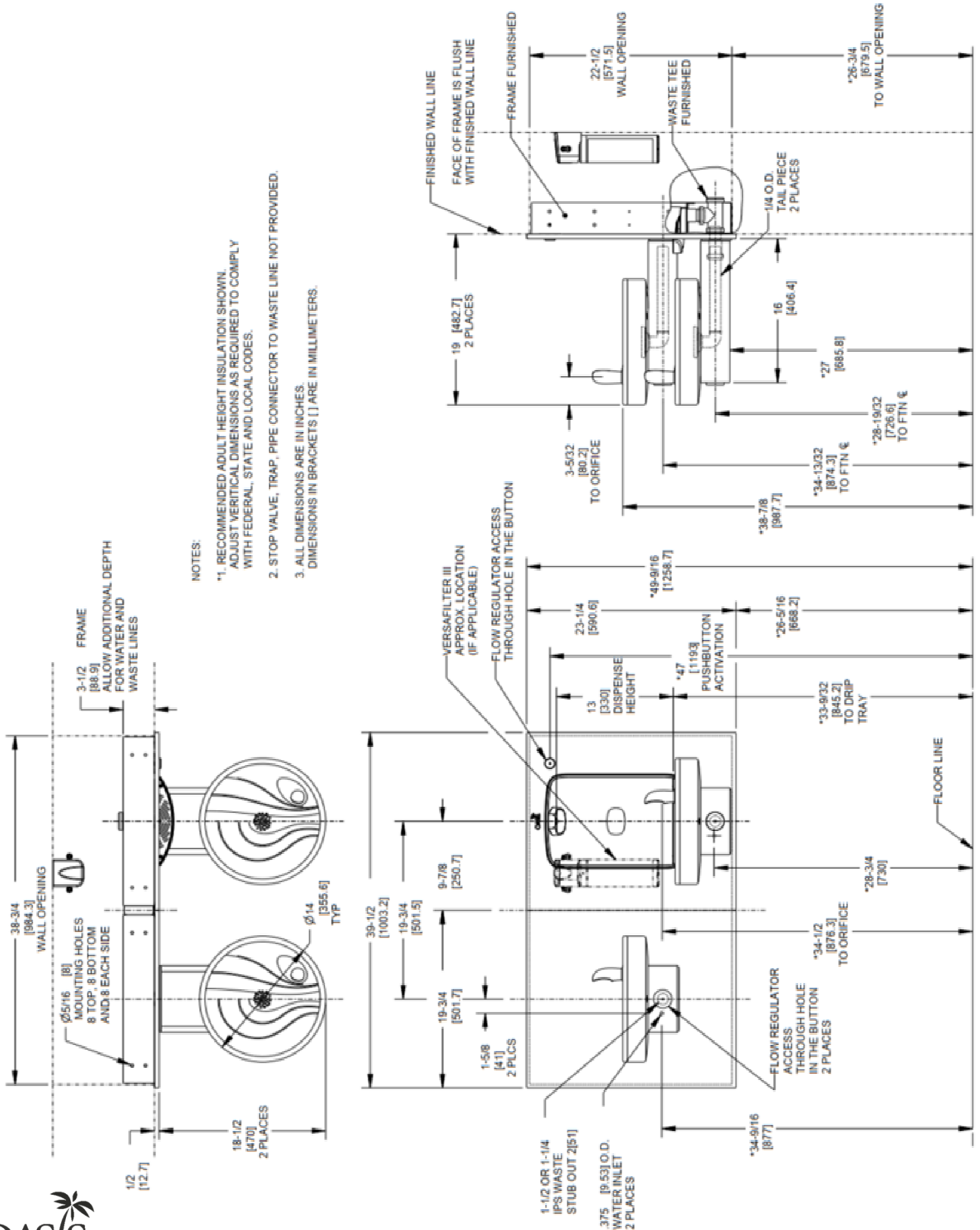
OASIS® RADII™ MODULAR SPLIT-LEVEL FOUNTAIN WITH VersaFiller® SPORTS BOTTLE FILLER MODELS M8CRSBF, M12CRSBF

ROUGHING-IN AND DIMENSIONAL DRAWING



OASIS® RADII™ MODULAR SPLIT-LEVEL FOUNTAIN WITH VersaFiller® SPORTS BOTTLE FILLER MODEL MMRSLSBF

ROUGHING-IN AND DIMENSIONAL DRAWING



BOTTLE FILLER ASSEMBLY WITH CHILLER

Wall mounting frame
secures into wall with
face flush to finished wall

Optional
VersaFilter III

Drip Tray
(DO NOT FASTEN TO FRAME)

Upper front panel
mounts to frame with
bottom screws provided

Drip Tray Grille
(assemble last)

Reveal Gasket slides back
into ¼" [6] opening

5/16-18 nuts & washers and
¼-20 x ½" bolts & washers
supplied
(to secure fountain to frame)

Cradle mounting
angles (2 provided)

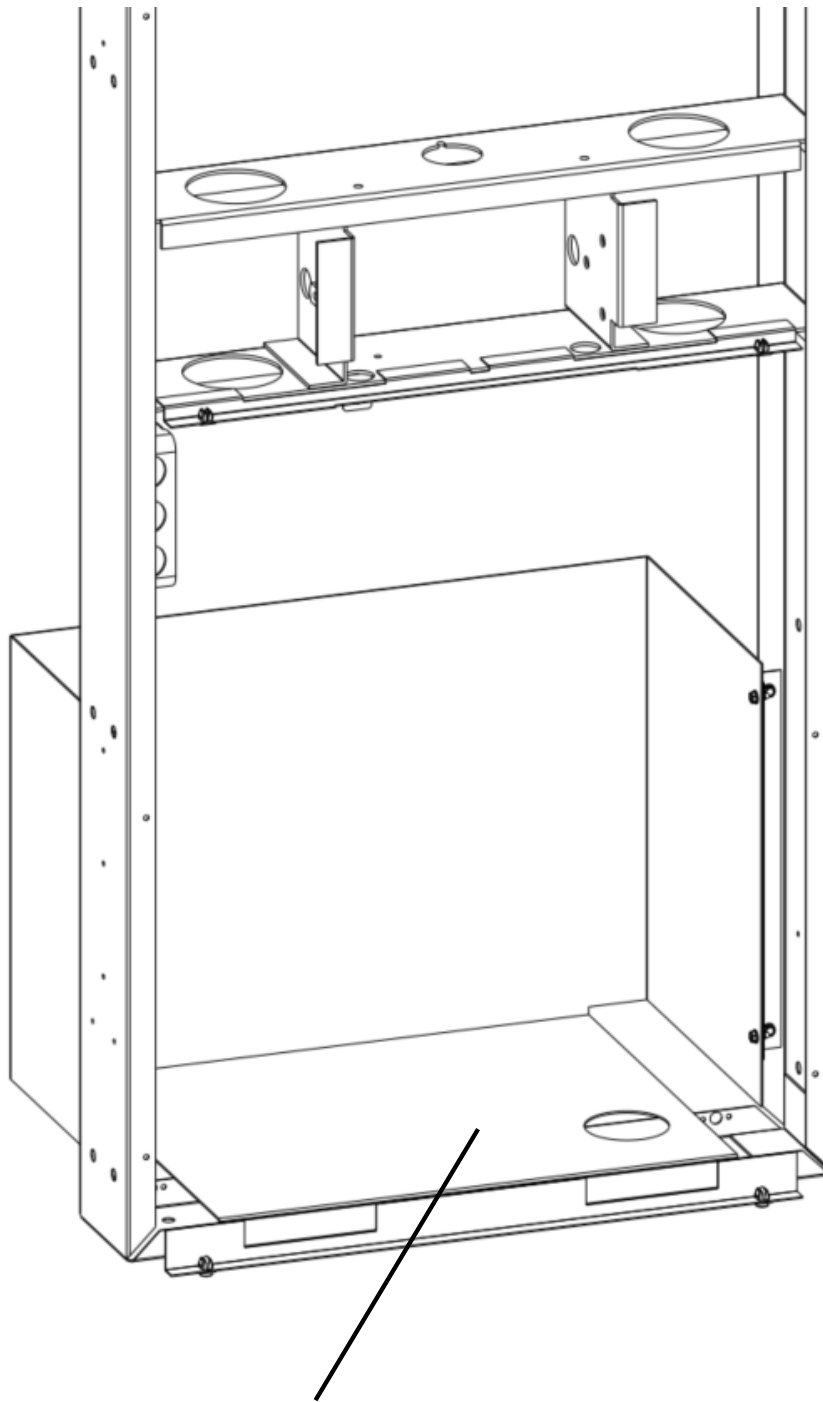
Cooling Unit (optional)
mounts inside cradle

Lower Front Panel
mounts to frame with
bottom screws or
optional locks
(2 provided)

Cooling Unit Mounting Cradle.
FIRST: Secure cradle mounting angles to
frame rear flange using 4 screws provided.
SECOND: Slide cradle between angles and
attach to angles with 4 screws provided.
See assembled Mounting Cradle next page.



BOTTLE FILLER ASSEMBLY WITH CHILLER



Assembled Mounting Cradle.

NOTE: BOTTOM FLANGE ON CRADLE IS TO BE
BEHIND FRAME FRONT FLANGE.