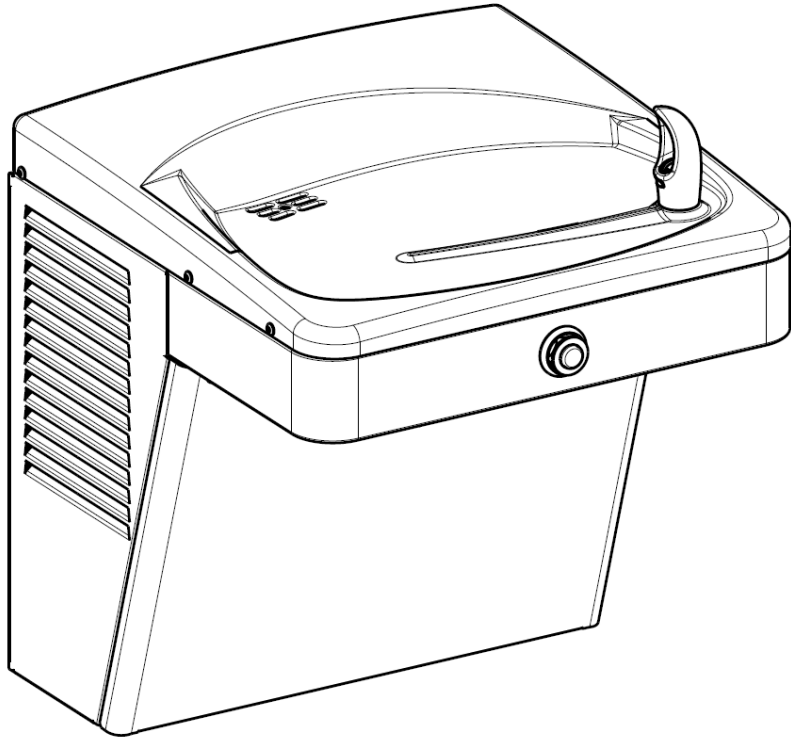


PGV(D)8AC-14G, PGV(D)8ACSL-14G Spare Parts List



© 2024 LVD Acquisition, LLC

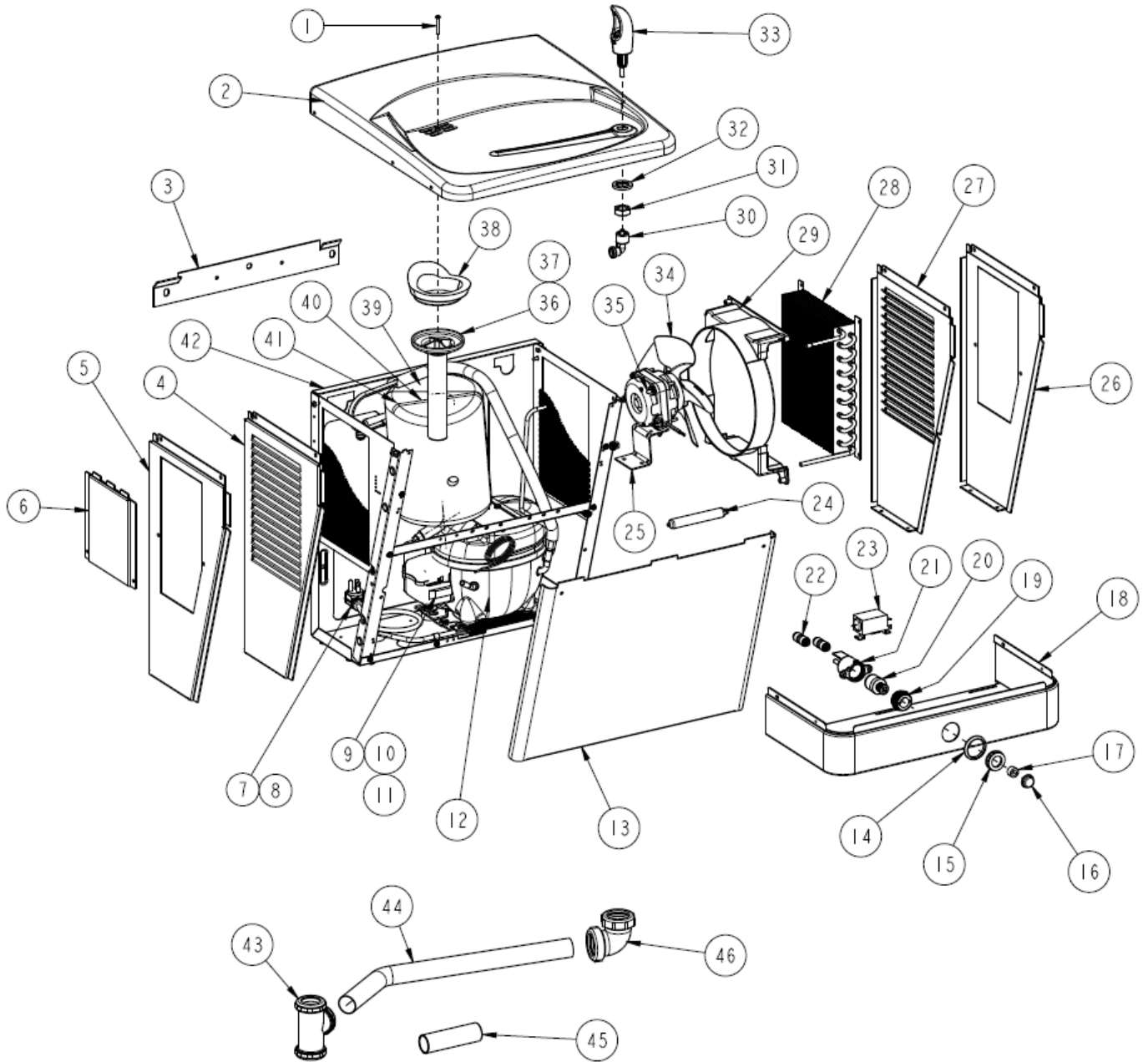
Oasis, Aqua Pointe, Versacooler and VersaFiller are registered trademarks of LVD Acquisition, LLC dba Oasis International

041365-029 Date 6/2024



OASIS INTERNATIONAL
222 East Campus View Blvd.
Columbus, OH 43235
614-861-1350
www.oasiscoolers.com

PGV(D)8AC-14G, PGV(D)8ACSL-14G Spare Parts List



PGV(D)8AC-14G, PGV(D)8ACSL-14G Spare Parts List

ITEM	QTY	Description	PGV(D)8AC-14G	PGVACS-14G	PGV(D)8ACS-14G
1	1	SCREW, OVAL HD MACHINE	026655-002	026655-002	026655-002
2	1	TOP, WHEELCHAIR VANDAL	036719-001	036719-001	036719-001
3	1	HANGER, WCR GALV	031363-002	031363-002	031363-002
4	1	PANEL, LEFT SIDE 14GA.	036726-001	036726-002	N/A
5	1	PANEL, SIDE LEFT 14G STN U	N/A	N/A	036726-301
6	1	PLATE, PATCH, 14GA. STN	N/A	036750-001	036750-001
7	1	CORD ASSY, POWER SUPP	036820-001	N/A	036820-001
8	1	CORD ASSY, POWER SUPP (OUTDOOR)	036820-004	N/A	036820-004
9	1	RELAY ELECTRICA ASSY GQR80T/MTRP53	041521-001	N/A	041521-001
10	1	OVERLOAD GQR80TD/T1972	041522-001	N/A	041522-001
11	1	CAPACITOR, START 161193UF	041529-001	N/A	041529-001
12	1	COMPRESSOR ASSY GQR80TD	041520-001	N/A	041520-001
13	1	PANEL, FRONT GST	036728-001	036728-001	036728-001
14	1	NUT-RING, CARTRIDGE HOLDER	029969-001	029969-001	029969-001
15	1	NUT, HEX COVER	024778	024778	024778
16	1	WASHER/SPACER/GASKET	028706-045	028706-045	028706-045
17	1	BUTTON, PUSH	024779	024779	024779
18	1	FRONT NOSE, 14GA STN	036725-001	036725-001	036725-001
19	1	NUT - RETAINING METAL HIGH	029970-002	029970-002	029970-002
20	1	CARTRIDGE, 4.25# SPRING	029967-005	029967-005	029967-005
21	1	HOLDER, CARTRIDGE	035990-001	035990-001	035990-001
22	2	FTG, PP UNION 1/4OD	028605-101	028605-101	028605-101
23	1	CONTROL,COLD	027040-062	N/A	027040-062
24	1	DRIER W/O PROCESS PORT	034343-001	N/A	034343-001
25	1	BRACKET, FAN MOTOR	036748-001	N/A	036748-001
26	1	PANEL, SIDE RIGHT STN U	N/A	036727-301	N/A
27	1	PANEL, RIGHT SIDE, 14GA.	036727-001	N/A	036727-001
28	1	CONDENSER, P8AC	031766-301	N/A	031766-301
29	1	SHROUD, FAN PLASTIC	031767-003	N/A	031767-003
30	1	FTG, BUBBLER NUT W/JG	036026-001	036026-001	036026-001
31	1	NUT, HEX	026824-019	026824-019	026824-019
32	1	NEOPRENE 70 DURO	028706-030	028706-030	028706-030
33	1	BUBBLER ASSY. INSERT BRB	038112-001	038112-001	038112-001
34	1	BLADE, FAN	038773-002	N/A	038773-002
35	1	MOTOR, FAN 120V 60HZ 6W	038813-001	N/A	038813-001
36	1	WASTE, PLASTIC 6.13	036011-002	N/A	036011-002
37	1	WASTE, PLASTIC 1.5	N/A	036009-002	N/A
38	1	GASKET, WASTE GEN2	031756-002	031756-002	031756-002
39	1	INS, CLG TANK-RH-P8AC	035088-001	N/A	035088-001
40	1	INS, CLG TANK-LH-P8AC	035088-002	N/A	035088-002
41	1	TANK BODY ASSY, CLG	033469-066	N/A	033469-066
42	1	FRAME, BACK/BOTTOM SA W/SCREEN	035089-003	035089-003	035089-003
43	1	1 1/2" TEE, W/NUTS, 1 1/4" W	N/A	A020968	N/A
44	1	TUBE - WASTE P8ACSL	N/A	026980-004	N/A
45	1	1 1/2" ELBOW, W/NUTS, 1 1/4" W	N/A	A020967	N/A
46	1	WASTE, TUBE	N/A	036010-016	N/A

Parts Not Shown					
		T15 TAMPER RESISTANT SCREW	035262-001	035262-002	035262-003

WIRING DIAGRAM

-SK3 SERIES

