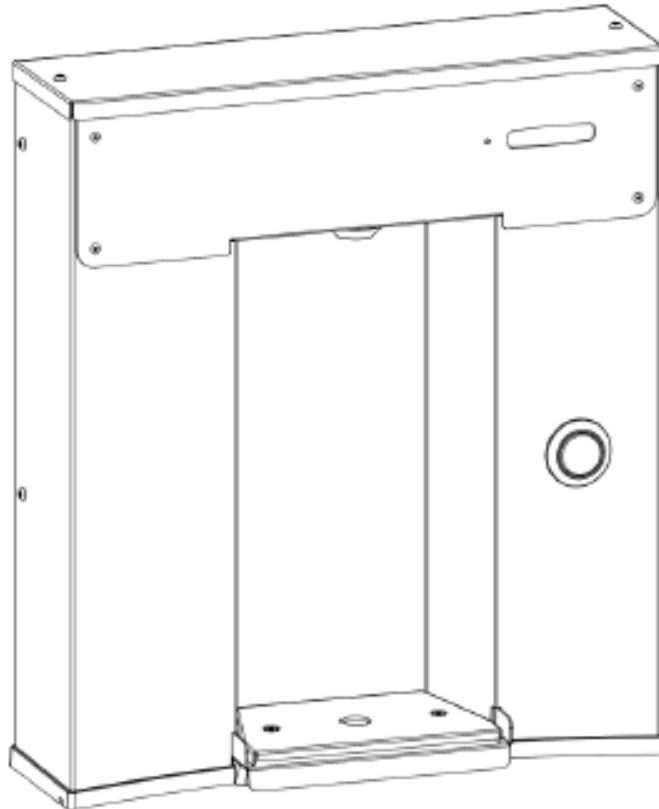


PWMVBF, PWSVBF Spare Parts List



© 2024 LVD Acquisition, LLC

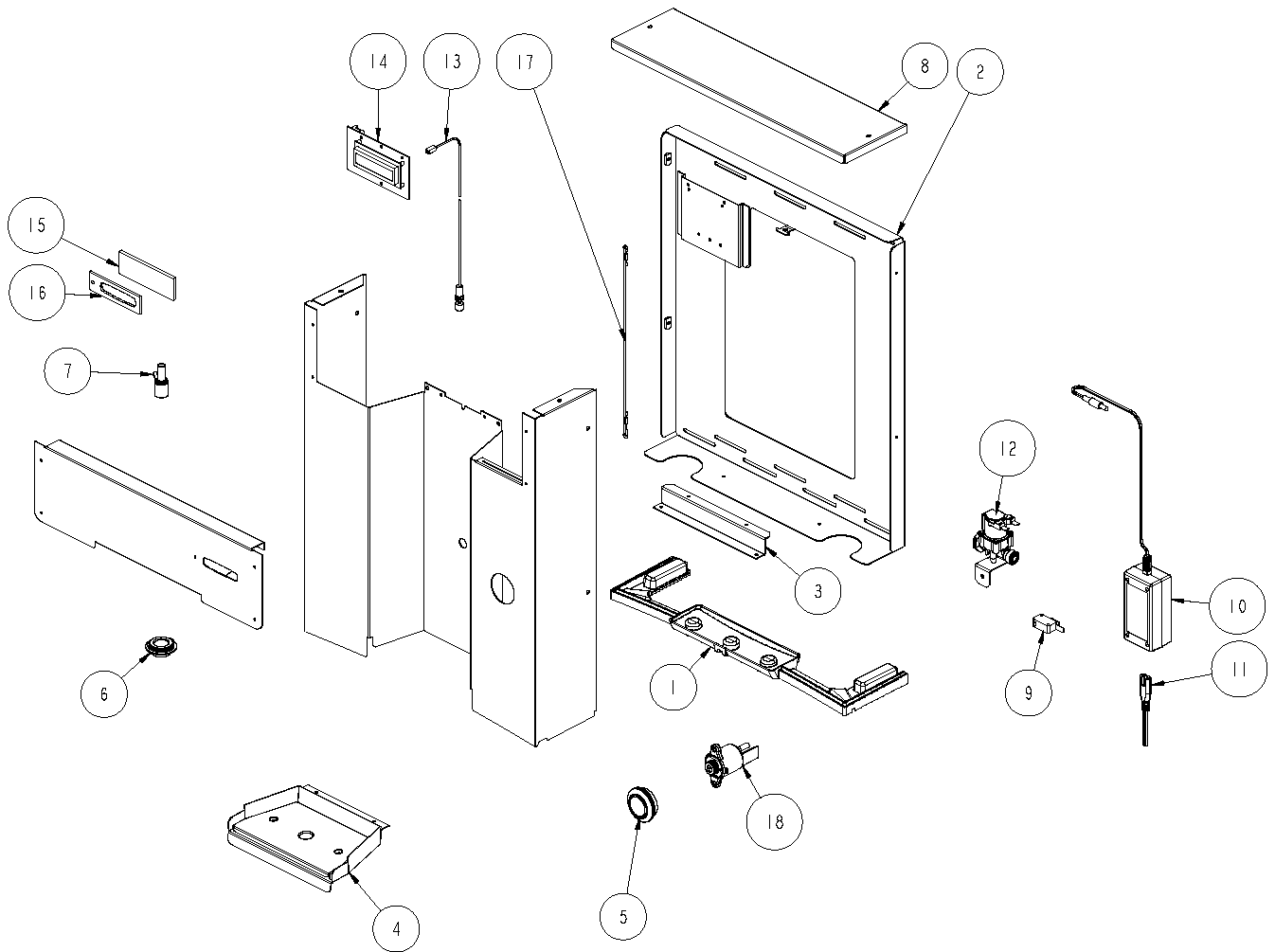
Oasis, Aqua Pointe, Versacooler and VersaFiller are registered trademarks of LVD Acquisition, LLC dba Oasis International

041365-030, Rev. ORIG, Date 7/2024



OASIS INTERNATIONAL
222 East Campus View Blvd.
Columbus, OH 43235
614-861-1350
www.oasiscoolers.com

PWMVBF, PWSVBF Spare Parts List



PWMVBF			
Item	QTY	P/N	Description
1	1	041639-001	GASKET, VRBF
2	1	041636-001	FRAME, VRBF
3	1	041640-001	BRACKET, DRIP TRAY
4	1	041646-001	DRIP TRAY ASSY, VRBF
5	1	041712-001	BUTTON ASSY PWMVDBF
6	1	041715-001	DISPENSE GUARD
7	1	038033-001	SPOUT ASSY, NOZZLE & ADAPTER
8	1	041634-001	TOP, VRBF
9	-	-	-
10	-	-	-
11	-	-	-
12	-	-	-
13	-	-	-
14	-	-	-
15	-	-	-
16	-	-	-
17	1	032459P008	LANYARD, BOTTLE FILLER
18	1	033979-007	CARTRIDGE SUB ASSY

PWSVBF			
Item	QTY	P/N	Description
1	1	041639-001	GASKET, VRBF
2	1	041636-001	FRAME, VRBF
3	1	041640-001	BRACKET, DRIP TRAY
4	1	041646-001	DRIP TRAY ASSY, VRBF
5	1	041413-001	BUTTON ASSY PWSVDBF
6	1	041715-001	DISPENSE GUARD
7	1	038033-001	SPOUT ASSY, NOZZLE & ADAPTER
8	1	041634-001	TOP, VRBF
9	1	034615-001	SWITCH, MICRO
10	1	038036-003	POWER SUPPLY,100-240VAC/12VDC
11	1	038168-001	CORD ASSY, DC POWER SUPPLY
12	1	041517-003	SOLENOID VALVE 12 VDC
13	1	042607-001	BUTTON ASSY - EBF
14	1	042064-002	PCB, MAIN - ARF
15	1	041647-001	LCD SHIELD
16	1	041648-001	LCD GASKET
17	1	032459P008	LANYARD, BOTTLE FILLER
18	-	-	-