



VERSACOOLER™ SINGLE DRINKING FOUNTAIN, WITH VANDAL RESISTANT BUBBLER, & NON-REFRIGERATED & MECHANICAL BOTTLE FILLER, VERSAFILTER III FILTER

MODEL PGFSBF-BRB-FVF

Suggested Specification

Model PGFSBF-BRB-FVF is a non-refrigerated fountain and delivers ambient water. Shall include PG8AC and the VersaFiller Bottle Filler with independent push button manual activation; lower unit shall have four push pads to activate the manual flow of water for the cooler. Bottle Filler alcove and cabinet finish shall be stainless steel. Key VersaFiller components contain Freshield®, which utilizes a silver-based antimicrobial compound to protect the surfaces from discoloration, odors and degradation caused by the growth of micro-organisms and mildew. Basin shall be designed to eliminate splashing and standing water. Water saver bubbler reduces waste water by 50% and shall operate between 20 and 100 PSI. One-piece low flow vandal resistant chrome plated solid construction metal bubbler keyed into place to prevent vandalism. Cabinet finish shall be brushed stainless steel. Shall comply with ANSI 117.1 and ADA. Shall be listed by Underwriters Laboratories to US and Canadian standards. Shall comply with NSF/ANSI 61 and NSF/ANSI 372.



Features:	<ul style="list-style-type: none"> • Built-in 100 micron strainer stops particles before they enter the waterway • Waterways are Lead-Free in materials & construction • Stainless steel top and heavy duty galvanized steel frame • One-piece vandal resistant bubbler keyed into position • Includes integral self-scouring waste drain • External access to stream height adjustment on lower VersaCooler fountain • Filter located in top bottle filler for easy filter replacement with Tilt 'N Tether • Logos permanently formed into the alcove and stainless steel wrapper
------------------	--

Filtration System:	OASIS VersaFilter III, certified to NSF/ANSI 42, 53, 372 and 401 for lead, Particulate Class I, chlorine, taste, odor and microplastics reduction to 4,750 gallons.
Power:	No electricity required
Activation By:	Independent Manual Activation on Bottle Filler and Fountain
Mounting Type:	Wall Mounted
Chilling Option:	Non-Refrigerated
Full Load Amps	0 amps
Rated Watts	0
Approx. Net Weight	32 lbs
Installation Location:	Indoor

Ships in one box.

Installation

- Prior to roughing in, consult with local, state and federal codes for proper mounting height
- Shipped with complete instructions and wall mounting bracket

Finishes

- Standard: Greystone powder coat on galvanized steel
- Optional finishes: Sandstone powder coated paint; Stainless steel (at additional cost)

Limited 1-Year Warranty

(Continental limits of the United States and Canada)
One year on bottle fillers and electrical components. Detailed warranty certificate enclosed with each water cooler; sample available upon request.

Export Warranty

One year on components parts. Detailed warranty certificate enclosed with each drinking fountain; sample copy available upon request.

Certifications/Compliance

- Certified to UL 399 and CAN/CSA C22.2 No.120 (electric water coolers only)
- Product Certified to NSF/ANSI Standard 61-G & 372 and conforms with the lead content requirements for "Lead Free" plumbing as defined by California, Vermont, Maryland, and Louisiana state laws and the U.S. Safe Drinking Water Act
- These water coolers comply with the requirements of ADA (Americans with Disabilities Act) when properly installed

MODEL: _____ QTY: _____

PROJECT: _____

CONTACT: _____

NOTES: _____

APPROVAL: _____ DATE: _____



WARNING:
Cancer and Reproductive Harm
www.P65Warnings.ca.gov



Specifications subject to change without notice



VERSACOOLER™ SINGLE DRINKING FOUNTAIN, WITH VANDAL RESISTANT BUBBLER, & NON-REFRIGERATED & MECHANICAL BOTTLE FILLER, VERSAFILTER III FILTER

MODEL PGFSBF-BRB-FVF

Accessories



OASIS VersaFilter III Replacement Cartridge

OASIS Item #041145-001

- Certified to NSF/ANSI 42, 53, 372 and 401 for lead, Particulate Class I, chlorine, taste, odor and microplastics reduction to 4,750 gallons.



Cane apron

Greystone Finish, OASIS Item # 035174-001

Sandstone Finish, OASIS Item # 035174-002

Stainless Steel Finish, OASIS Item #035174-003

- ADA Compliant Apron is needed when water cooler is not installed in an alcove or with right and left wing walls. OASIS Apron is to provide the mandatory 27" to floor ADA requirement.

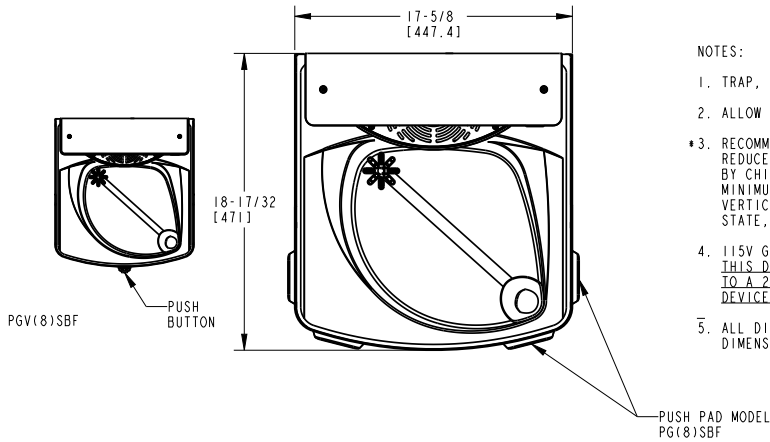


[View all filters and accessories](#)



VERSACOOLER™ SINGLE DRINKING FOUNTAIN, WITH VANDAL RESISTANT BUBBLER, & NON-REFRIGERATED & MECHANICAL BOTTLE FILLER, VERSAFILTER III FILTER

MODEL PGFSBF-BRB-FV



NOTES:

1. TRAP, STOP VALVE AND ELECTRICAL OUTLET NOT FURNISHED.
2. ALLOW 4 INCHES [102MM] MIN. PER SIDE FOR VENTILATION.
- *3. RECOMMENDED ADULT BARRIER FREE HEIGHT INSTALLATION SHOWN. REDUCE HEIGHT BY 3 INCHES FOR INSTALLATIONS USED PRIMARILY BY CHILDREN AGES 12 AND YOUNGER. UNIT SHALL ALSO HAVE A MINIMUM CLEAR FLOOR SPACE 20[1760] BY 48[1220]. ADJUST VERTICAL DIMENSIONS AS REQUIRED TO COMPLY WITH FEDERAL, STATE, AND LOCAL CODES.
4. 115V GROUNDED NORTH AMERICAN DUPLEX RECEPTACLE REQUIRED. THIS DRINKING WATER COOLER IS INTENDED TO BE CONNECTED TO A 20A MINIMUM GROUND FAULT CIRCUIT INTERRUPTING (GFCI) DEVICE TO MEET UL REQUIREMENTS.
5. ALL DIMENSIONS ARE IN INCHES. DIMENSIONS IN BRACKETS [] ARE IN MILLIMETERS.

