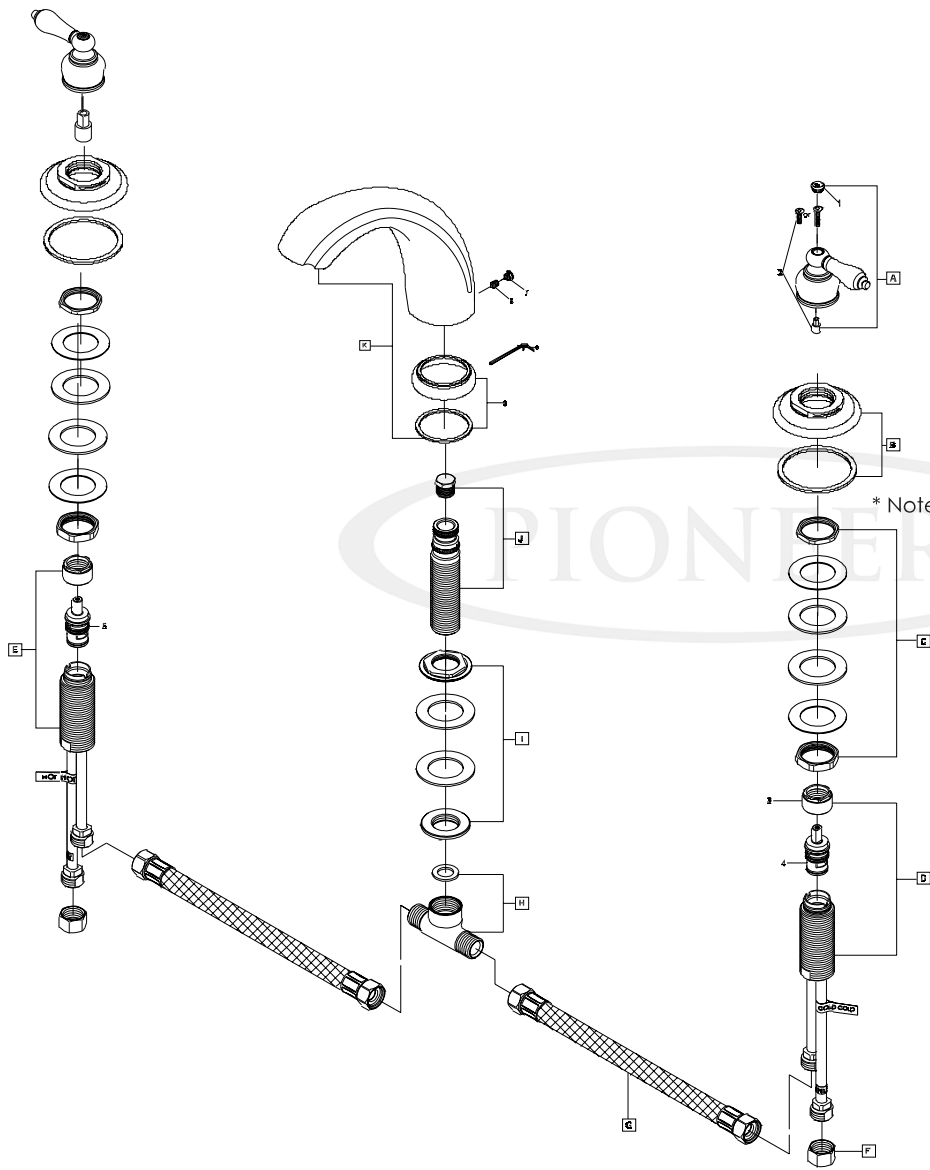


	ITEM#	DESCRIPTION
A	X-1400008C,H*	Lever Handles
B	X-4400046*	Valve Escutcheon
C	X-5400003	Valve Mounting Kit
D	X-3900005C	Valve-Cold
E	X-3900005H	Valve-Hot
F	X-4900004	Supply Nut
G	X-4400063	Hose Connector
H	X-4400029	Tee Connector
I	X-5400001	Spout Mounting Kit
J	X-5400005	Shank
K	X-2400012*	"J" Style Spout
1	X-4900042C,H*	Button-Cold,Hot
2	X-4900065	Stem Extension
3	X-4900022	Bonnet Nut
4	X-3900002C	Ceramic Cartridge-Cold
5	X-3900002H	Ceramic Cartridge-Hot
6	X-4900026	1/8" Allen Wrench
7	X-4400048*	Spout Hole Cover
8	X-4400018	1/8" Allen Screw
9	X-4400053*	Spout Escutcheon



* Note- Please Specify finish\color code while ordering.

Product Diagram



ENGINEERING EXCELLENCE

Pioneer:1-800-338-9468

Commerce, CA 90040

www.pioneerind.com

Pioneer Industries, Inc. © 2013