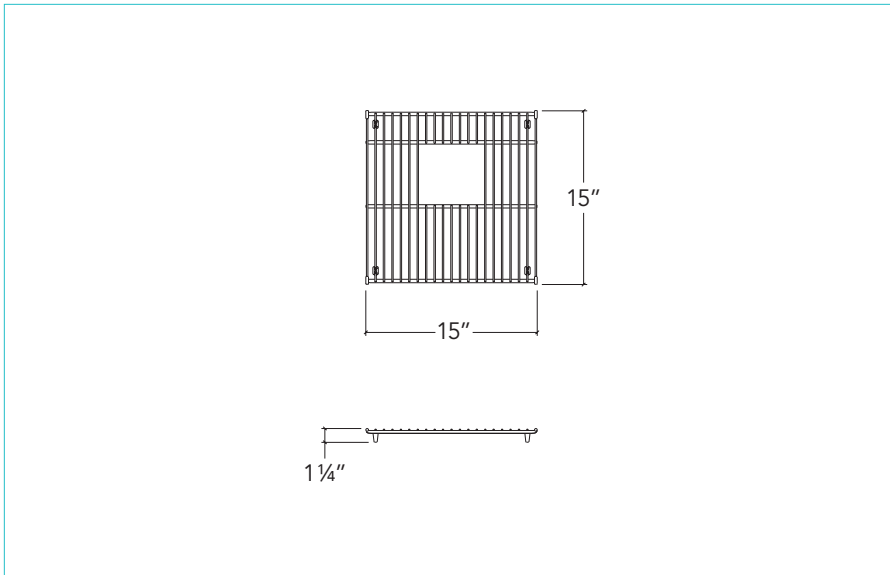
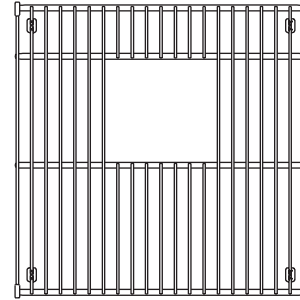


# PRO INOX



## H-G

**Grid**  
for handcrafted kitchen sink



**IH-G-1616**

**Installation**

N/A

**Bowl**

16" x 16"

**Overall**

15" x 15" x 1 1/4"

**Cabinet**

N/A

**Drain**

Ø 3 1/2"

**Packaging**

26" x 19 1/4" x 1 5/16"

5 lbs

**Features and earnings**

- 304 brushed finish stainless steel
- Eliminates the need for chemical products to get a chrome finish
- A square opening provide easy access to the strainer
- Silicone legs prevent the grid from sliding around
- Prevents dishes and silverware from striking the bottom of the sink
- Lets water drain away from items placed in the sink
- Provides a flat, stable surface to place things on

**Warranty**

Prochef offers a 1-YEAR LIMITED WARRANTY following the purchase date for all mobile parts, options and accessories against defects of material and workmanship. This warranty is limited to defects or damages resulting from a normal residential use. For further details on our product warranty, please refer to our catalog or Web site.

**PRO  
CHEF**

1 855 687-8192 | prochef.ca

IH-G-1616\_1.0