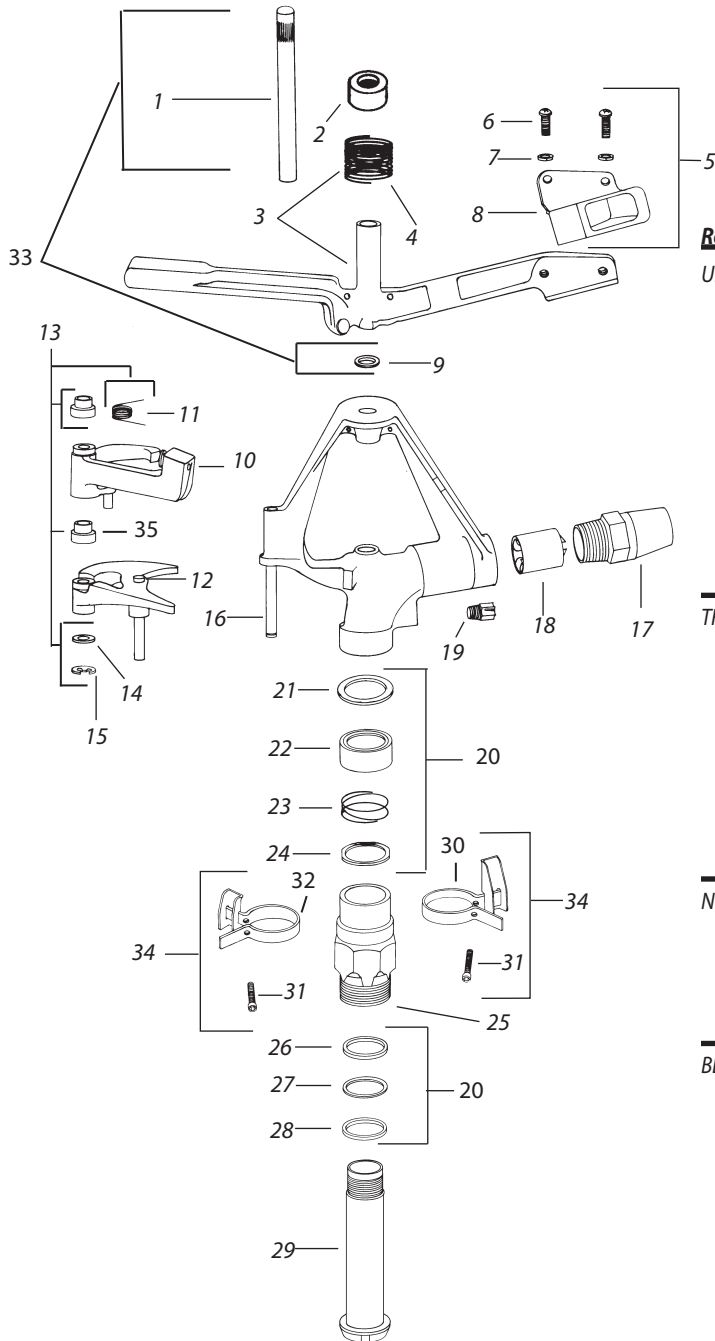


Ref.	Part Description	85EHD	85EHD-BSP
UPPER ASSEMBLY			
28	Fulcrum Kit	177421	177421
1	Fulcrum Pin	(100430)	(100430)
2	Arm Hood	(108556)	(108556)
3	Arm Washer (2)	(100432)	(100432)
4	Arm Spring Assembly	177470	177470
5	Arm Spring	(100431)	(100431)
TRIP MECHANISM			
6	Trip Arm, Upper	108318	108318
8	Trip Arm, Lower	111129	111129
9	Trip Hardware Kit	179992	179992
7	Trip Spring	(112858)	(112858)
10	E-Ring	(231078)	(231078)
30	Spacer Washer	(231077)	(231077)
31	Trip Hood (2)	(111812)	(111812)
11	Trip Shaft	(108321)	(108321)
NOZZLES (Specify nozzle size when ordering)			
12	Range Nozzle	103043xx	103043xx
13	Body Vane	101275	101275
12	Low Pressure Nozzle	108149xx	108149xx
14	20 Deg. Spreader Nozzle	100226-14	—
—	Nozzle Plug	100255	—
15	Bearing Washer Kit	177474	177474
16	Seal Washer, Upper	(104638)	(104638)
17	Bearing Hood	(113098)	(113098)
18	Bearing Spring	(100449)	(100449)
19	Wear Washer, Top (Black)	(113309)	(113309)
21	Bearing Washer (Black)	(113099)	(113099)
22	Wear Washer (Orange)	(104639)	(104639)
23	Bearing Washer, Seal	(113100)	(113100)
20	Bearing Sleeve	177515	177467
24	Bearing Nipple	177506	177506
29	Collar Kit	179993	179993
25	Friction Collars (Top)	(107959)	(107959)
26	Screw (2)	(111126)	(111126)
27	Friction Collars (Bottom)	(107960)	(107960)

Note: Part numbers enclosed in brackets () are not available individually, but may be sold in assemblies or kits.



Ref.	Part Description	85EHD-LA	85EHD-LA-BSP
UPPER ASSEMBLY			
33	Fulcrum Kit	177421	177421
1	Fulcrum Pin	(100430)	(100430)
9	Washer	(100432)	(100432)
2	Hood Arm	(108556)	(108556)
3	Arm Spring Assy HD (With Spoon)	177471	177471
4	Arm Spring	(100431)	(100431)
5	Detachable Spoon Kit HD	113878	113878
6	Screw (2)	(111204-02)	(111204-02)
7	Washer (2)	(111809)	(111809)
8	Spoon	(111804)	(111804)
TRIP MECHANISM			
10	Trip Arm, Upper	108318	108318
12	Trip Arm, Lower	111129	111129
13	Trip Hardware Kit	179992	179992
11	Trip Spring	(112858)	(112858)
14	Spacer Washer	(231077)	(231077)
15	E-Ring	(231078)	(231078)
35	Trip Hood (2)	(111812)	(111812)
16	Trip Shaft	(108321)	(108321)
NOZZLES (Specify nozzle size when ordering)			
17	Range Nozzle	103043xx	103043xx
18	Body Vane	101275	101275
18	Low Pressure Nozzle	108149 xx	108149xx
19	Spreader Nozzle, 20Deg. (85ES)	—	—
BEARING ASSEMBLY			
20	Bearing Washer Kit	177474	177474
21	Seal Washer	(104638)	(104638)
22	Bearing Hood (Black)	(113098)	(113098)
23	Bearing Spring	(100449)	(100449)
24	Wear Washer, Top (Black)	(113309)	(113309)
26	Bearing Washer (Black)	(113099)	(113099)
27	Wear Washer (Orange)	(104639)	(104639)
28	Bearing Washer, Seal (Gray)	(113100)	(113100)
25	Bearing Sleeve	177515	177467
29	Bearing Nipple	177506	177506
34	Collar Kit	179993	179993
30	Friction Collars (Top)	(107959)	(107959)
31	Screw (2)	(111126)	(111126)
32	Friction Collars (Bottom)	(107960)	(107960)

Note: Part numbers enclosed in brackets () are not available individually, but may be sold in assemblies or kits.