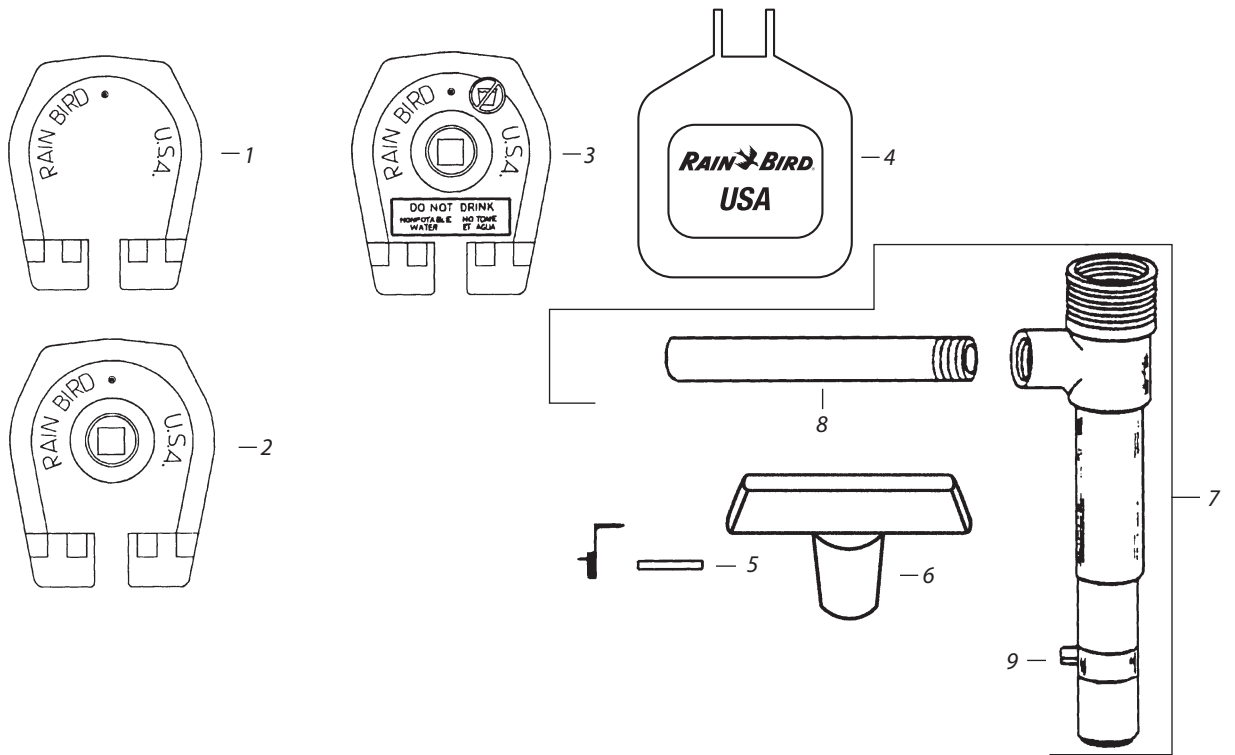


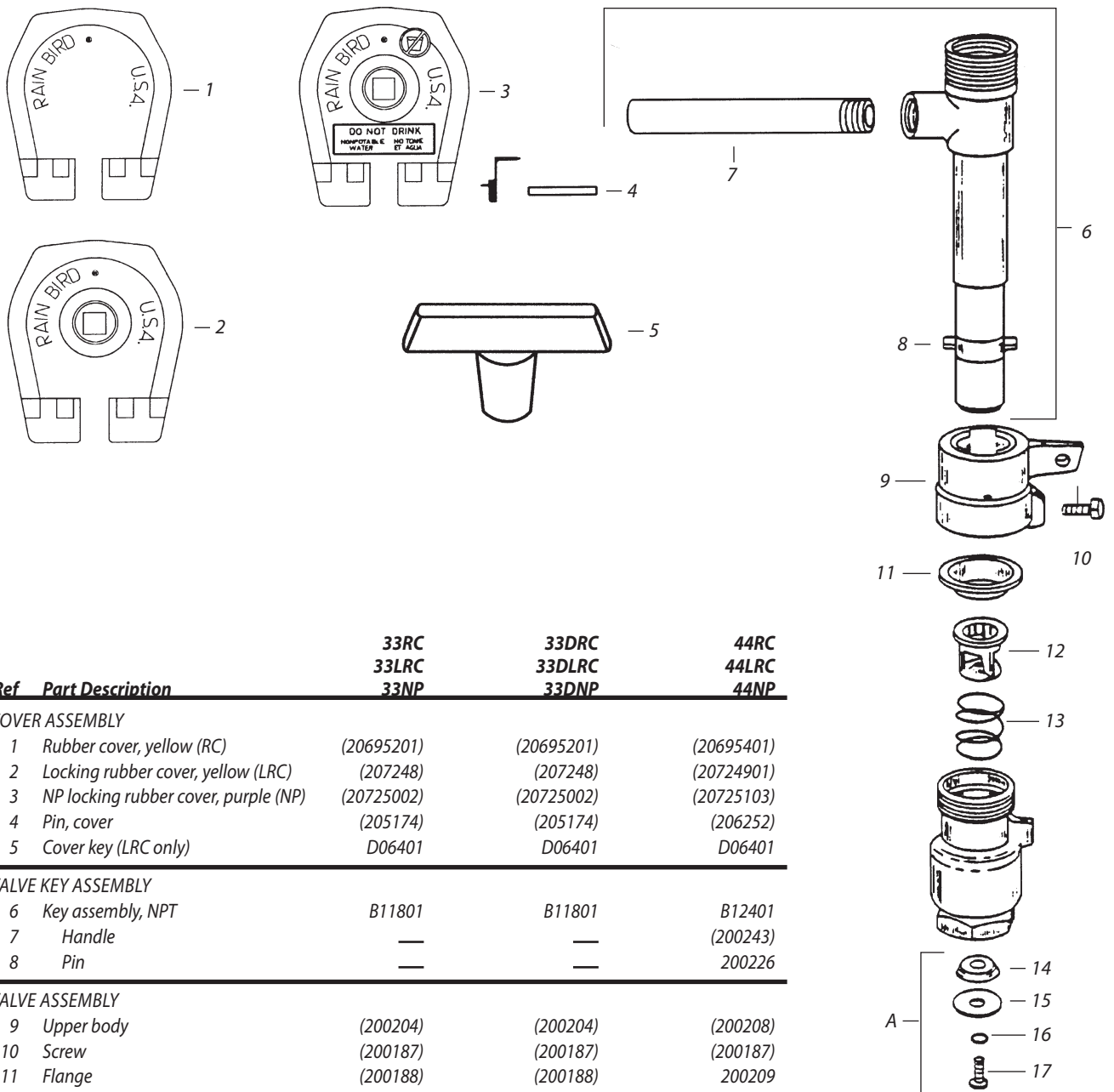
ONE-PIECE QUICK COUPLER VALVES
3, 5, AND 7 SERIES



Ref Part Description	3RC	5RC 5LRC 5NP	7
COVER ASSEMBLY			
1 Rubber cover, yellow (RC)	(20695201)	20695401	—
2 Locking rubber cover, yellow (LRC)	—	(20724902)	—
3 NP locking rubber cover, purple (NP)	—	(20725104)	—
4 Metal cover with pin	—	—	—
5 Pin, cover	(205174)	(206252)	—
6 Cover key (LRC and ACME)	D06401	D06401	—
VALVE KEY ASSEMBLY			
7 Key assembly, NPT	B11801	B13301	B14501
– Key assembly, BSP	—	B13401	B14700
8 Handle	—	(200243)	(200243)
9 Pin	(205174)	200226	200275
VALVE ASSEMBLY			
10 Cage	(200503)	201612	200288
11 Spring	(200502)	(200232)	(200265)
12 Gasket	(200504)	200278	200287
13 Body, NPT	—	—	—
– Body, BSP	—	—	—
14 Rubber disc (Buna-N)	—	—	—
15 Retainer	—	—	—
16 Washer	—	—	—
17 Screw	—	—	—
A Repair kit	(204146)	203747	203749

3 series includes 10 and 11

Note: Part numbers enclosed in brackets () are not available individually, but may be sold in assemblies or kits.



Ref	Part Description	33RC	33DRC	44RC
		33LRC	33DLRC	44LRC
		33NP	33DNP	44NP
COVER ASSEMBLY				
1	Rubber cover, yellow (RC)	(20695201)	(20695201)	(20695401)
2	Locking rubber cover, yellow (LRC)	(207248)	(207248)	(20724901)
3	NP locking rubber cover, purple (NP)	(20725002)	(20725002)	(20725103)
4	Pin, cover	(205174)	(205174)	(206252)
5	Cover key (LRC only)	D06401	D06401	D06401
VALVE KEY ASSEMBLY				
6	Key assembly, NPT	B11801	B11801	B12401
7	Handle	—	—	(200243)
8	Pin	—	—	200226
VALVE ASSEMBLY				
9	Upper body	(200204)	(200204)	(200208)
10	Screw	(200187)	(200187)	(200187)
11	Flange	(200188)	(200188)	200209
12	Cage	(200503)	(200503)	(200210)
13	Spring	(200502)	(200502)	200211
14	Rubber disc (Buna-N)	—	—	(200213)
15	Retainer	—	—	(200214)
16	Washer	—	—	(200215)
17	Screw	—	—	(205806)
A	Repair kit	(204146)	(204146)	203747
(33 series includes 12 and 13)				

Note: Part numbers enclosed in brackets () are not available individually, but may be sold in assemblies or kits.