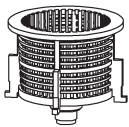


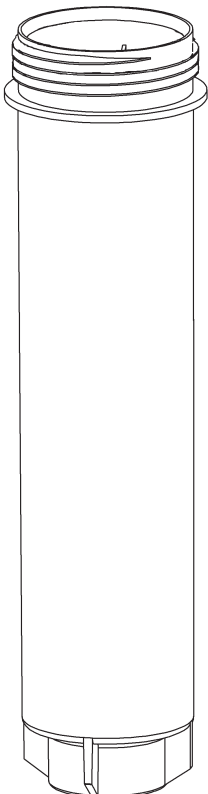
1



4



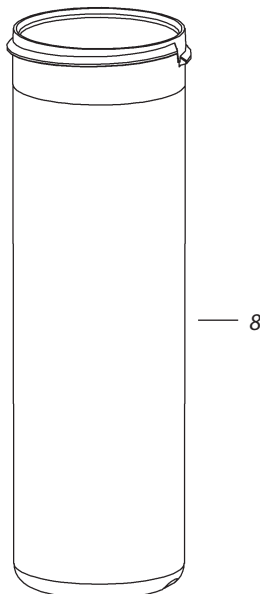
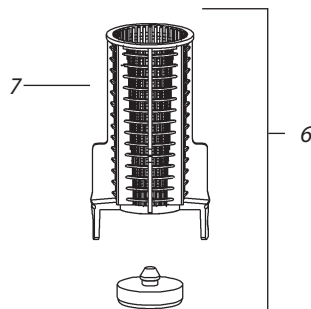
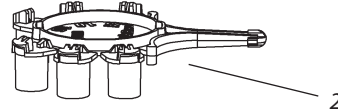
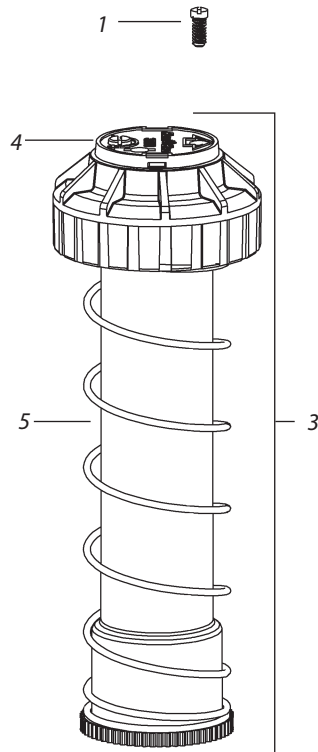
2



3

| <b>Ref.</b> | <b>Part Description</b> | <b>Qty</b> | <b>42SA</b> |
|-------------|-------------------------|------------|-------------|
| 1           | Rotor Assembly          | 1          | (173478)    |
| 2           | Filter Screen           | 1          | 170362      |
| 3           | Case                    | 1          | (171033)    |
| 4           | Nozzle (3.0 GPM)        | 1          | (170934-04) |

Note: Part numbers enclosed in brackets ( ) are not available individually, but may be sold in assemblies or kits.



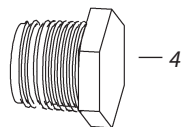
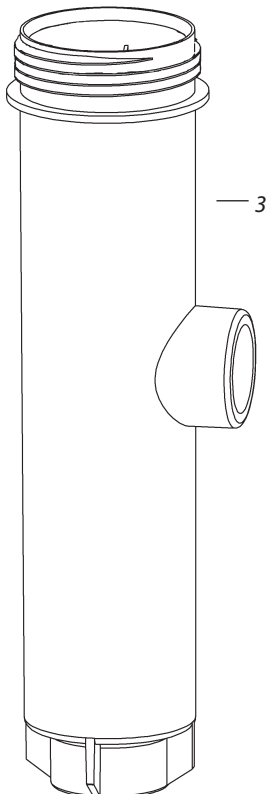
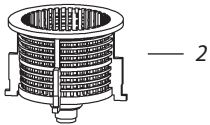
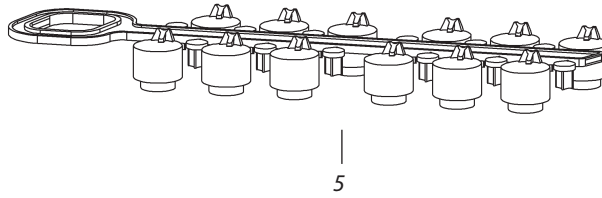
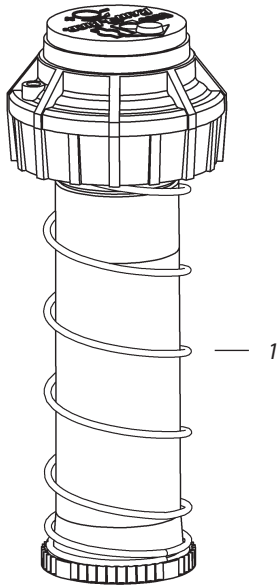
| Ref. | Part Description        | 3504 PC     | 3504-PC-N   |
|------|-------------------------|-------------|-------------|
| 1    | Break-Up Screw          | (114210)    | (114210)    |
| 2    | Nozzle Tree (A)         | (Y03500)    | (Y03500)    |
| 3    | Stem and Cover Assembly | (171150)    | (171150)    |
| 4    | Turret Cap              | (170977-01) | (170977-01) |
| 5    | Retract Spring          | (170973)    | (170973)    |
| 6    | Sam Screen Assembly     | —           | —           |
| 7    | Filter Screen           | (172770)    | (172770)    |
| 8    | Case                    | (170970)    | (170970)    |

| Ref. | Part Description        | 3504-PC-SAM | 3504-PC-SAM-N |
|------|-------------------------|-------------|---------------|
| 1    | Break-Up Screw          | (114210)    | (114210)      |
| 2    | Nozzle Tree (A)         | (Y03500)    | (Y03500)      |
| 3    | Stem and Cover Assembly | (171150)    | (171150)      |
| 4    | Turret Cap              | (170977-03) | (170977-03)   |
| 5    | Retract Spring          | (170973)    | (170973)      |
| 6    | Sam Screen Assembly     | (172778)    | (172778)      |
| 7    | Filter Screen           | —           | —             |
| 8    | Case                    | (170970)    | (170970)      |

| Ref. | Part Description        | 3500-S-PC   | 3500-S-PC-SAM |
|------|-------------------------|-------------|---------------|
| 1    | Break-Up Screw          | (114210)    | (114210)      |
| 2    | Nozzle Tree (A)         | (Y03500)    | (Y03500)      |
| 3    | Stem and Cover Assembly | (171150-29) | (171150-29)   |
| 4    | Turret Cap              | (170977-01) | (170977-01)   |
| 5    | Retract Spring          | —           | —             |
| 6    | Sam Screen Assembly     | (172594)    | (172594)      |
| 7    | Filter Screen           | —           | —             |
| 8    | Case                    | (170973)    | (170973)      |

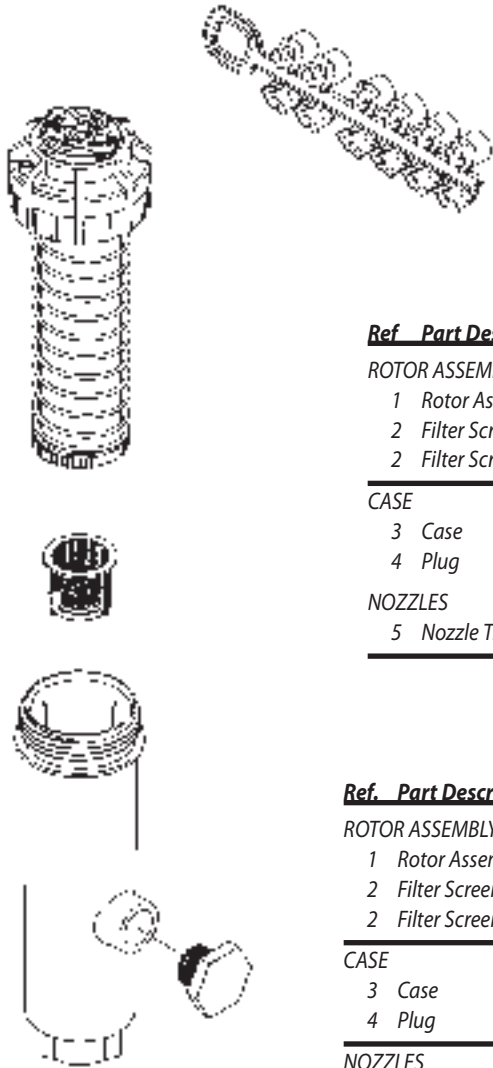
(A) Tree includes (1) .75, 1.0, 1.5, 2.0, 3.0, and 4.0 nozzle

Note: Part numbers enclosed in brackets ( ) are not available individually, but may be sold in assemblies or kits.



| Ref.                  | Part Description          | Qty | 5000-S-PC | 5000-S-FC | 5004-PC  | 5004-FC  | 5006-PC  | 5006-FC  |
|-----------------------|---------------------------|-----|-----------|-----------|----------|----------|----------|----------|
| <b>ROTOR ASSEMBLY</b> |                           |     |           |           |          |          |          |          |
| 1                     | Rotor Assembly - Standard | 1   | (172409)  | (172420)  | (171100) | (171441) | (171721) | (171722) |
| 2                     | Filter Screen - Standard  | 1   | 170362    | 170362    | 170362   | 170362   | 170362   | 170362   |
| 2                     | Filter Screen - w/SAM     | 1   | 170452    | 170452    | 170452   | 170452   | 170452   | 170452   |
| <b>CASE</b>           |                           |     |           |           |          |          |          |          |
| 3                     | Case                      | 1   | (172369)  | (172369)  | (171033) | 171033   | (114197) | (114197) |
| 4                     | Plug                      | 1   | —         | —         | (102496) | (102496) | (102496) | (102496) |

Note: Part numbers enclosed in brackets ( ) are not available individually, but may be sold in assemblies or kits.



| Ref                   | Part Description            | Qty | UPG-PL-PC-S |
|-----------------------|-----------------------------|-----|-------------|
| <b>ROTOR ASSEMBLY</b> |                             |     |             |
| 1                     | Rotor Assembly - Standard   | 1   |             |
| 2                     | Filter Screen - Standard    | 1   | 170362      |
| 2                     | Filter Screen - SAM         | 1   | 170452      |
| <b>CASE</b>           |                             |     |             |
| 3                     | Case                        | 1   | -           |
| 4                     | Plug                        | 1   | -           |
| <b>NOZZLES</b>        |                             |     |             |
| 5                     | Nozzle Tree (various sizes) | 1   | Y04500      |

| Ref.                  | Part Description            | Qty | 5000PL-S-PC | 5000PL-S-FC | 5004PL-PC | 5004PL-FC |
|-----------------------|-----------------------------|-----|-------------|-------------|-----------|-----------|
| <b>ROTOR ASSEMBLY</b> |                             |     |             |             |           |           |
| 1                     | Rotor Assembly - Standard   | 1   |             |             |           |           |
| 2                     | Filter Screen - Standard    | 1   | 170362      | 170362      | 170362    | 170362    |
| 2                     | Filter Screen - SAM         | 1   | 170452      | 170452      | 170452    | 170452    |
| <b>CASE</b>           |                             |     |             |             |           |           |
| 3                     | Case                        | 1   |             |             |           |           |
| 4                     | Plug                        | 1   | -           | -           | -         | -         |
| <b>NOZZLES</b>        |                             |     |             |             |           |           |
| 5                     | Nozzle Tree (various sizes) | 1   | Y04500      | Y04500      | Y04500    | Y04500    |

| Ref.                  | Part Description            | Qty | 5006PL-PC | 5006PL-FC | 5012PL-PC | 5012PL-FC |
|-----------------------|-----------------------------|-----|-----------|-----------|-----------|-----------|
| <b>ROTOR ASSEMBLY</b> |                             |     |           |           |           |           |
| 1                     | Rotor Assembly - Standard   | 1   |           |           |           |           |
| 2                     | Filter Screen - Standard    | 1   | 170362    | 170362    | 170362    | 170362    |
| 2                     | Filter Screen - SAM         | 1   | 170452    | 170452    | 170452    | 170452    |
| <b>CASE</b>           |                             |     |           |           |           |           |
| 3                     | Case                        | 1   |           |           |           |           |
| 4                     | Plug                        | 1   | (102496)  | (102496)  | (102496)  | (102496)  |
| <b>NOZZLES</b>        |                             |     |           |           |           |           |
| 5                     | Nozzle Tree (various sizes) | 1   | Y04500    | Y04500    | Y04500    | Y04500    |

Note: Part numbers enclosed in brackets ( ) are not available individually, but may be sold in assemblies or kits.