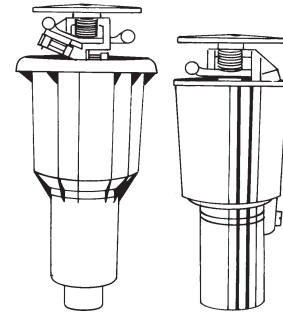
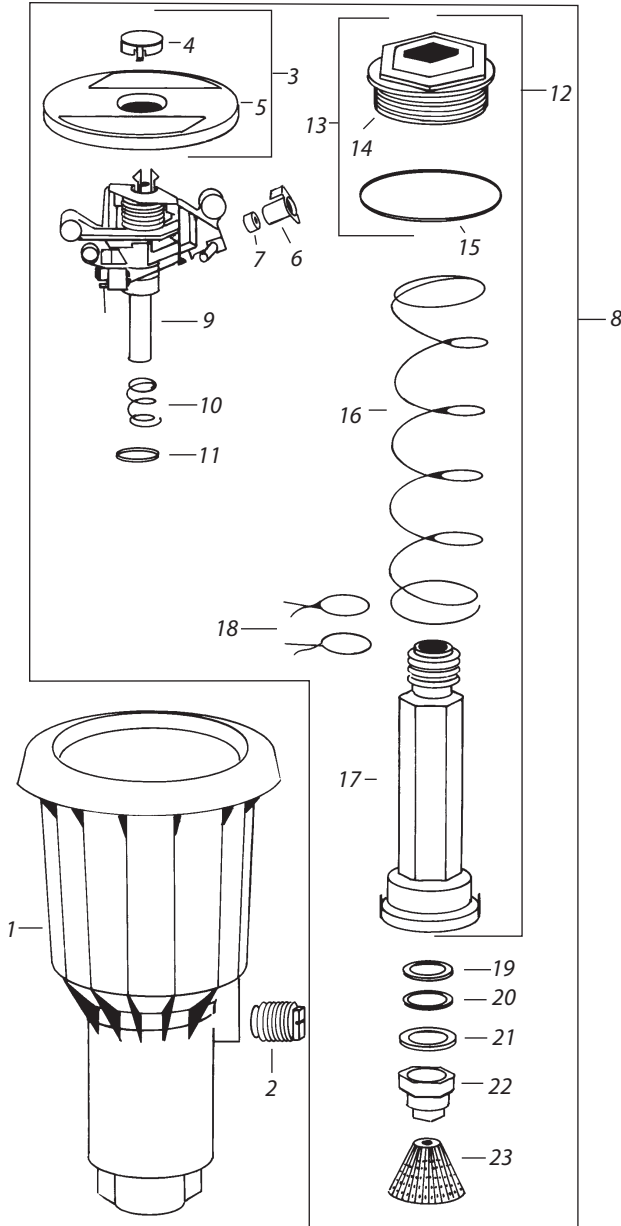


LG-3 / MG-4 / 15103-07/09 MINI-PAW
 AG-5 / AG-5-SAM / 2045A MAXI-PAW™ / 2045A MAXI-PAW-SAM



MAXI-PAW MINI-PAW

Ref. Part Description	LG-3 / MG-4	AG-5	AG-5 SAM
	Mini-Paw 15103-07/09	Maxi-Paw 2045A	Maxi-Paw-SAM 2045A-SAM
CASES			
1 Case Assembly	205175	(207281)	(207281)
2 Plug	(107355)	(107355)	(107355)
COVER ASSEMBLIES			
3 Cover Kit	206973	208001	208001
4 Dust Cap	(A) (204423-07)	(204423-12)	(204423-12)
5 Cover, Snap On	(A) (207301-03)	(207301-01)	(207301-01)
5 Cover, Non-potable	—	(2080025)	—
NOZZLES (Specify nozzle size when ordering)			
6 Low Angle Nozzle (C)	—	115902-xx	115902-xx
6 Standard Nozzle (D)	—	206592-xx	206592-xx
7 Vane	—	(202141)	(202141)
8 INTERNAL ASSEMBLY	(E) 206678	(206644-08)	(206637-08)
9 Head Assembly	(A) (206776)	(206638-08)	(206638-08)
- Diffuser Screw	203933	203933	203933
- Trip Spring	(207740)	(207740)	(207740)
- Bearing Hood	(B) (202965)	(B) (202965)	(B) (202965)
10 Upthrust Spring	(B) (203871)	(B) (203871)	(B) (203871)
11 Bearing Washer (Blue)	(B) (206071)	(B) (206071)	(B) (206071)
12 Pop-Up Sleeve Assembly	202415	202415	(204400)
13 Guide Nut Assembly	(204555)	(204555)	(204555)
14 Guide Nut	(202381)	(202381)	(202381)
15 O-Ring Seal	(202011)	(202011)	(202011)
16 Retract Spring	(202012)	(202012)	(202012)
17 Guide Sleeve	(203171)	(203171)	(203171)
18 Friction Collars (2)	(203148)	(203148)	(203148)
19 Buna N Washer (Black)	(B) (203363)	(B) (203363)	(B) (203363)
20 Wearing Washer (White)	(B) (204374)	(B) (204374)	(B) (204374)
21 Brg Backup Washer (Gray)	(B) (202138)	(B) (202138)	(B) (202138)
22 Nut, Maxi-Bird	(B) (202007)	(B) (202007)	(B) (202007)
23 Inlet Screen (Standard)	(202076)	(202076)	—
- SAM Screen/Seal Assembly	—	—	205396
- MINI-PAW WRENCH	B41866	B41866	B41866

(A) Included in Body Cover Assembly # 206974. (Specify nozzle size -07 or -09)

(B) Included in Bearing Washer Kit # 202190.

(C) Nozzle sizes available: -07, -10

(D) Nozzle sizes available: -06 Red, -07 Black, -08 Blue, -10 Yellow, -12 Beige

(E) Nozzle sizes available: -07, -09

Note: Part numbers enclosed in brackets () are not available individually, but may be sold in assemblies or kits.