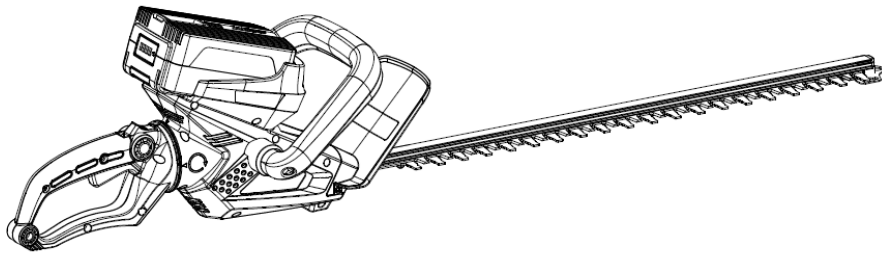


redback tools

40V LITHIUM-ION CORDLESS HEDGE TRIMMER



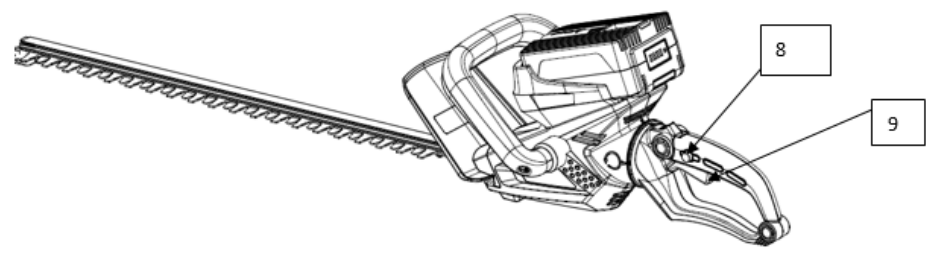
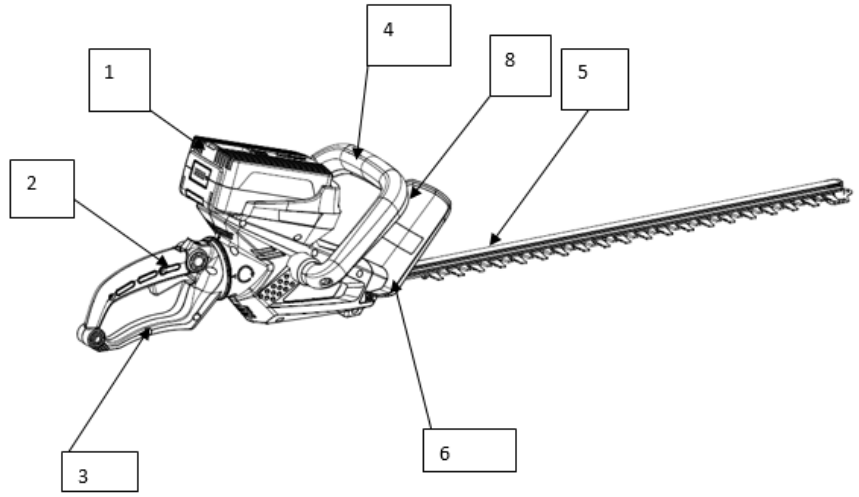
Parts Breakdown

www.redbacktool.com

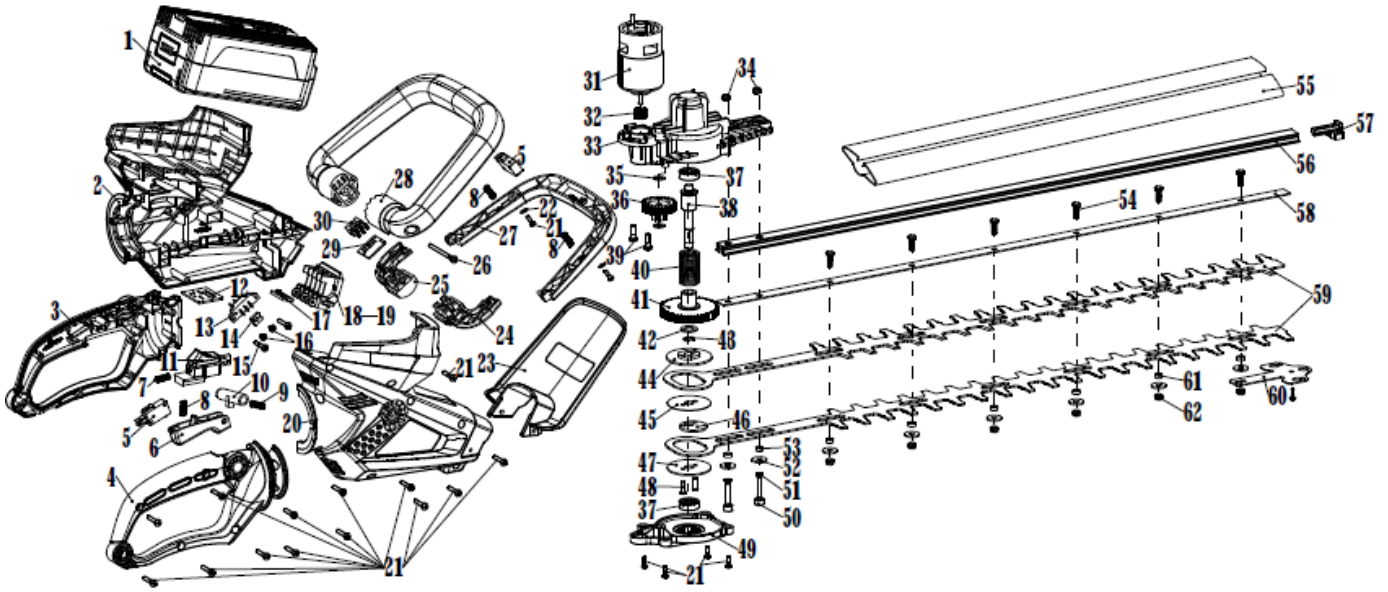
support@redbacktool.com

MAJOR PARTS OF THE HEDGE TRIMMER

- 1. Battery pack
- 2. Rear Handle
- 3. Trigger Switch
- 4. Front Handle
- 5. Cutting blade
- 6. Protective guard
- 7. Front handle switch
- 8. Handle rotation lock button
- 9. Trigger lock button



EXPLODED VIEW AND PARTS LIST



No.	Part No.	Description	QTY	No.	Part No.	Description	QTY
1		40V battery pack	1	33	20140110	center bracket	1
2	20920090	Left housing	1	34	60140120	Screw	2
3	21060230	Left handle	1	35	60200070	Washer	2
4	21060250	Right handle	1	36	70670270	Gear wheel	1
5	30030050	Micro switch	1	37	60010310	608 bearing	2
6	20470070	Rocker arm	1	38	70030600	Drive axle	1
7	60390170	Spring	1	39	60070160	Screw	2
8	60390160	Spring	3	40	60390150	Brake spring	1
9	60380380	Pressure spring	1	41	70670120	Gear wheel	1
10	20530070	Push button	1	42	60190150	Flat washer	1
11	20530120	Locking segment	1	43	60240050	Spring washer	1
12	30010150	PCB board	1	44	71260170	Cam disk	1
13	20800080	Plug pin	1	45	60200070	Washer	2
14	60140130	Screw	2	46		Cam bit	2
15	60170140	Tapping screw	2	47		Pressure board	1
16	60070130	Tapping screw	4	48		cylinder pin	2
17	20590050	Rubber washer	1	49	20140120	Bracket cover	1
18	20760030	Plug in seat	1	50	60090060	Screw	2
19	70630150	Plug in unit	4	51	60210040	Spring washer	2
20	20920100	Right housing	1	52	60190280	Blade washer	8
21	60170680	Self tapping screw	29	53	70150400	Washer	2
22	60190200	Flat washer	2	54		Screw	6
23	20920110	Protection guard	1	55	21140010	Blade sleeve	1
24	20260140	Right handle cover	1	56	20350060	Blade plug	1
25	20260130	Left handle cover	1	57		Aluminum support bar	1
26	60070150	Screw	2	58		Iron support board	1
27	20260120	Rocker arm	1	59		Blade	2
28	20260110	Bracket	1	60		protection head	1
29	30020070	Start switch	1	61		Spacer	6
30	30010140	Motherboard	3	62		locking nut	6
31	30070040	Motor	1				
32	70670260	Motor gear	1				

support@redbacktool.com