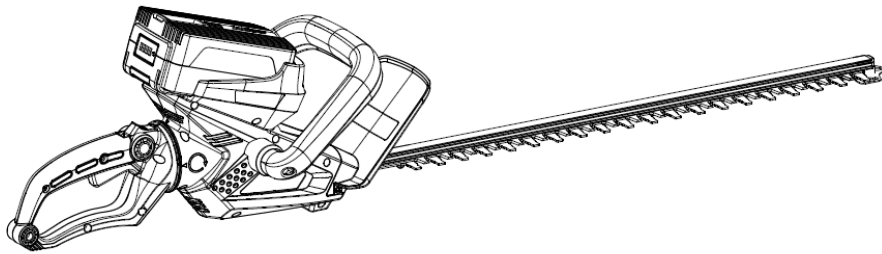


# redback tools

## 40V LITHIUM-ION CORDLESS HEDGE TRIMMER

Model: E522D



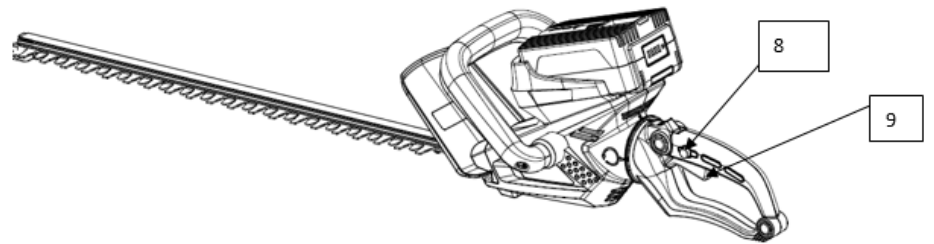
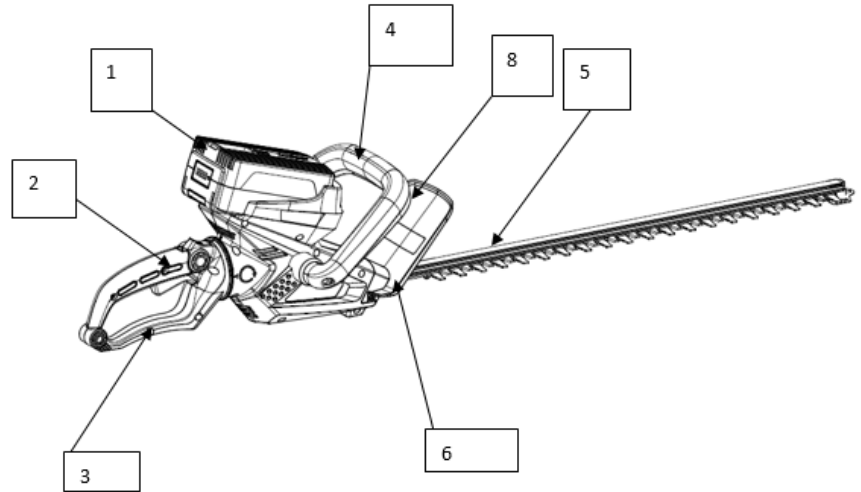
### Parts Breakdown

[www.redbacktool.com](http://www.redbacktool.com)

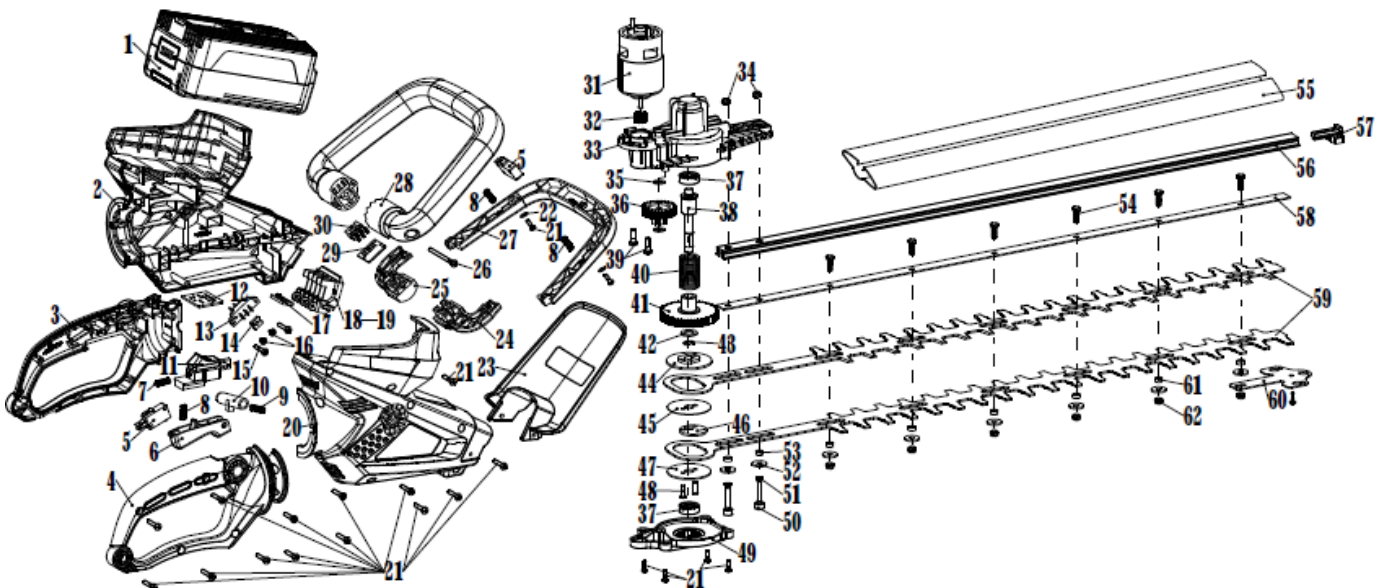
support@redbacktool.com

## MAJOR PARTS OF THE HEDGE TRIMMER

1. Battery pack
2. Rear Handle
3. Trigger Switch
4. Front Handle
5. Cutting blade
6. Protective guard
7. Front handle switch
8. Handle rotation lock button
9. Trigger lock button



## EXPLODED VIEW AND PARTS LIST



No.	Part No.	Description	QTY	No.	Part No.	Description	QTY
1		40V battery pack	1	33	20140110	center bracket	1
2	20920090	Left housing	1	34	60140120	Screw	2
3	21060230	Left handle	1	35	60200070	Washer	2
4	21060250	Right handle	1	36	70670270	Gear wheel	1
5	30030050	Micro switch	1	37	60010310	608 bearing	2
6	20470070	Rocker arm	1	38	70030600	Drive axle	1
7	60390170	Spring	1	39	60070160	Screw	2
8	60390160	Spring	3	40	60390150	Brake spring	1
9	60380380	Pressure spring	1	41	70670120	Gear wheel	1
10	20530070	Push button	1	42	60190150	Flat washer	1
11	20530120	Locking segment	1	43	60240050	Spring washer	1
12	30010150	PCB board	1	44	71260170	Cam disk	1
13	20800080	Plug pin	1	45	60200070	Washer	2
14	60140130	Screw	2	46		Cam bit	2
15	60170140	Tapping screw	2	47		Pressure board	1
16	60070130	Tapping screw	4	48		cylinder pin	2
17	20590050	Rubber washer	1	49	20140120	Bracket cover	1
18	20760030	Plug in seat	1	50	60090060	Screw	2
19	70630150	Plug in unit	4	51	60210040	Spring washer	2
20	20920100	Right housing	1	52	60190280	Blade washer	8
21	60170680	Self tapping screw	29	53	70150400	Washer	2
22	60190200	Flat washer	2	54		Screw	6
23	20920110	Protection guard	1	55	21140010	Blade sleeve	1
24	20260140	Right handle cover	1	56	20350060	Blade plug	1
25	20260130	Left handle cover	1	57		Aluminum support bar	1
26	60070150	Screw	2	58		Iron support board	1
27	20260120	Rocker arm	1	59		Blade	2
28	20260110	Bracket	1	60		protection head	1
29	30020070	Start switch	1	61		Spacer	6
30	30010140	Motherboard	3	62		locking nut	6
31	30070040	Motor	1				
32	70670260	Motor gear	1				

support@redbacktool.com