

# redback tools

## 40V Lithium Ion Line Trimmer/Edger



**MODEL E312D**

## Operation Manual



This safety alert symbol identifies important safety messages in this manual. Failure to follow this important safety information may result in serious injury or death.

Part # 875514

# redback tools

For Service or Questions

**1-800-876-3009**

*[www.redbacktools.com](http://www.redbacktools.com)*

*email us at [support@redbacktools.com](mailto:support@redbacktools.com)*

# Table of Contents

<b>Important Safety Information</b>	
Intended Use .....	4
Personal Protective Equipment .....	4
General Safety .....	5
Safety Decals .....	6
<b>Line Trimmer Assembly</b> .....	7
Installing the Trimmer Guard .....	7
Attaching the Running Wheel.....	7
Attaching the Plant Guard .....	7
Assembling and adjusting the shoulder strap.....	7
Set the shaft length.....	8
Set the handlebar.....	8
Set the operating angle.....	8
Inserting and Replacing the Battery.....	8
<b>Overview of Components</b> .....	9
<b>Operation</b> .....	10
Changing the Operation Mode.....	10
Turning the Line Trimmer ON/OFF.....	10
Automatic line advance .....	11
<b>Maintenance</b> .....	12
Changing the cutting heed .....	12
Replacing the line spool.....	12
Winding the spool with new line .....	13
<b>Cleaning &amp; Storage</b> .....	14
<b>Warranty &amp; Specifications</b> .....	Back Cover



WARNING

**WARNING:** Read and thoroughly understand all instructions and safety information before assembling or operating the line trimmer. Failure to do so may cause serious injury or death. Do not allow anyone to operate this line trimmer who has not read this manual. As with all power equipment, a line trimmer can be dangerous if assembled or used improperly. Do not operate this line trimmer if you have doubts or questions concerning safe operation.

Call our customer service department at **1-800-876-3009**, or visit **[www.redbacktools.com](http://www.redbacktools.com)** if you have any questions or concerns about the safe operation of this equipment.



DANGER

## Intended Use

Do not use the line trimmer for any purpose other than for which it was designed. Any other use is unauthorized and may result in serious injury or death.

## Personal Protective Equipment

When operating this line trimmer it is essential that you wear safety gear including goggles or safety glasses, steel-toed shoes and tight fitting gloves (no loose cuffs or draw strings). Always wear ear plugs or sound deafening headphones to protect against hearing loss when operating this trimmer. Always wear sturdy footwear. Never wear sandals, sneakers or open shoes, and never operate the line trimmer with bare feet. Do not wear loose clothing that might get caught in moving parts.



## General Safety

Failure to follow warnings, cautions, assembly and operation instructions in the Operation Manual may result in serious injury or death.



DANGER

### READ THE OPERATION MANUAL BEFORE OPERATION.

- **Do not** permit children to operate this equipment at any time.
- **Do not** permit others that have not read and understood the complete Operation Manual to operate this equipment.
- The line trimmer can propel objects it strikes at high speeds. **Keep all people and pets a minimum of 10 feet away from the work area when operating the line trimmer.** It is recommended to wear heavy long pants during operation.
- **Do not** operate the line trimmer when under the influence of alcohol, drugs or medication.
- **Do not** allow a person who is tired, otherwise impaired or not completely alert to operate the line trimmer.



DANGER

- Do not operate the line trimmer in rain or other wet conditions. Protect the line trimmer from rain.
- Always keep hands, feet, hair and loose clothing away from the line trimmer.
- The battery should be removed before any repairs are attempted.

### Battery tool use and care

- Recharge only with the charger specified by the manufacturer. A charger that is suitable for one type of battery pack may create a risk of fire when used with another battery pack.
- Use power tools only with specifically designated battery packs. Use of any other battery packs may create a risk of injury and fire.
- When battery pack is not in use, keep it away from other metal objects, like paper clips, coins, keys, nails, screws or other small metal objects, that can make a connection from one terminal to another. Shorting the battery terminals may cause burns or a fire.
- Under certain conditions, liquid may be ejected from the battery; avoid contact. If contact accidentally occurs, flush with water. If liquid contacts eyes, additionally seek medical help. Liquid ejected from the battery may cause irritation or burns.
- **DO NOT USE BATTERIES WITH DAMAGED CASES.** Dispose of batteries properly. Do not dispose of batteries in household waste.



# Important Safety Information

## Safety Decals

Safety decals on the blower are to remind you of important information while you are operating the unit. Make sure all decals are attached and in readable condition. Replace missing or defaced decals. Contact Redback Tools at 1-800-876-3009 for replacement decals.

## WARNING:

Read and understand the operation manual before attempting to use this equipment.  
To reduce risk of injury, remove battery when not in use and before transporting.  
Risk of explosion: do not crush, disassemble, short the terminals or dispose of in fire.  
Use only with Redback 40V batteries. Charge only with Redback 40V charger.

## AVERTISSEMENT:

Lire et comprendre le manuel d'utilisation avant d'utiliser cet équipement.  
Afin de réduire les risques de blessure, retirez la batterie lorsqu'il n'est pas utilisé  
et avant le transport. Risque d'explosion : ne pas écraser, désassembler,  
court les bornes ou la jeter dans le feu.  
À utiliser uniquement avec les batteries 40V Redback.  
Charger uniquement avec chargeur 40V Redback.



## Installing the Trimmer Guard

The trimmer guard is an essential part of the line trimmer and must ALWAYS be used to prevent damage to the trimmer and injury to the operator. The guard is not attached to the trimmer when it is delivered to avoid damage in transit. To attach the guard, loosen and remove the 4 screws from the underside of motor housing (see Figure 1). Place the guard on the motor housing (1) and align the bores vertically. Screw in the 4 screws and tighten (2).

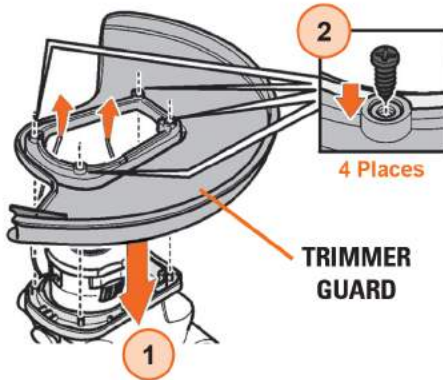


Figure 1

## Attaching the Running Wheel

Insert the running wheel into the holder on the left side of motor housing and press, until it clicks (see Figure 2). To dismantle, the retaining tab may be opened with a suitable tool.

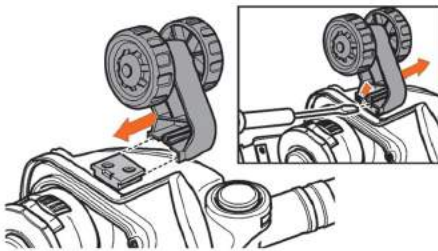


Figure 2

## Attaching the Plant Guard

The plant guard protects shrubs, trees and bedding plants. Insert the plant guard into the holes of motor housing (see Figure 3). The plant guard can be folded up when it is not needed (see Figure 4).

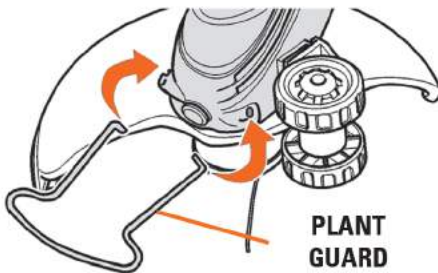


Figure 3

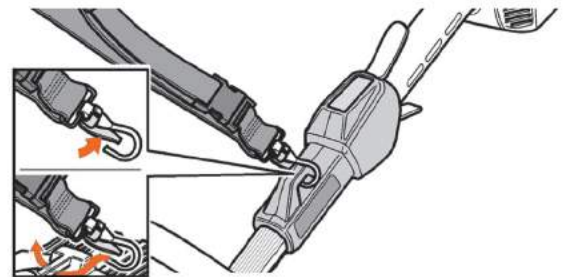


Figure 5

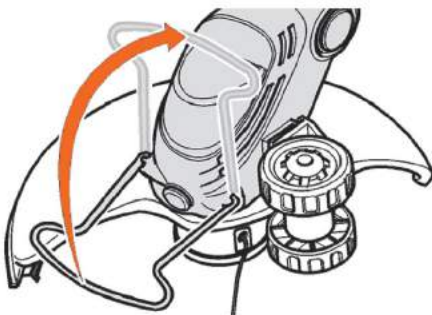


Figure 4

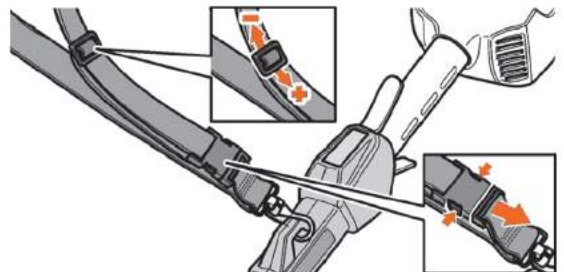


Figure 6

## Set the shaft length

Adjust the trimmer length to the height of the user (see Figure 7). Loosen the threaded sleeve on the shaft coupling ①. Extend the lower shaft until the ideal handle length is reached ②. Tighten the threaded sleeve ③.

## Set the handlebar

Adjust the handlebar to the height of the user (see Figure 8). Loosen the locking lever on the handlebar ①. Set the handlebar to the required position ②. Secure the handlebar by folding down the locking lever.

## Set the operating angle

Five operating angles can be adjusted on the lawn trimmer (See Figure 9). This allows you to easily reach places in the garden which are problematic and difficult to access. The cutting head should always be parallel to the ground. Press the locking button ①. Set the required operating angle ②. Release the locking button.

## Inserting/Replacing the Battery

Charge the battery as described in the charger operation manual. Attach the charged battery into the power tool by positioning, aligning and then sliding the battery into the power receptacle on the line trimmer until it clicks into place (see Figure 10). To remove, press the release button and pull out the battery.



CAUTION

**Protect the battery contacts when the battery is not being used. Metal objects may short-circuit the contacts and pose both an explosion and fire hazard!**

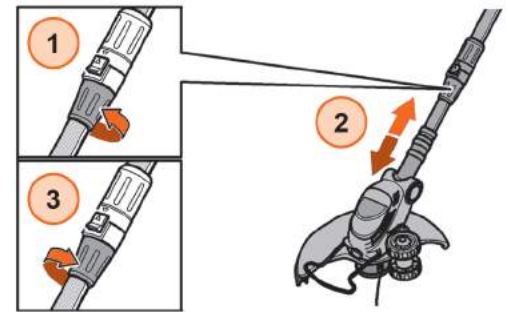


Figure 7

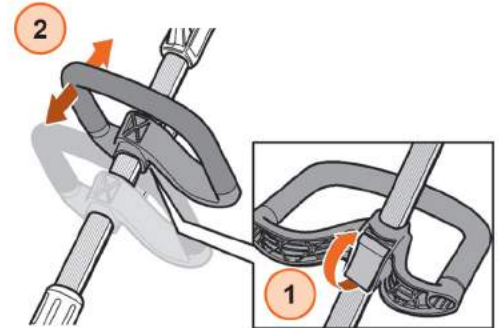


Figure 8

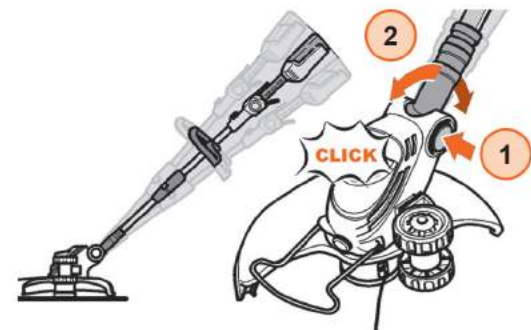


Figure 9

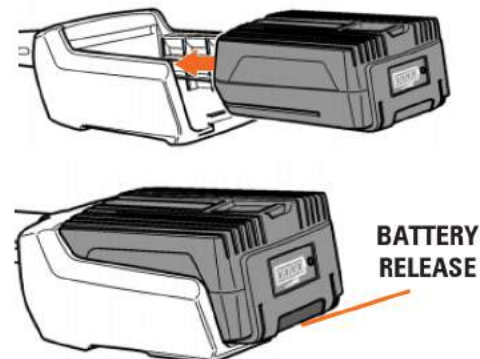
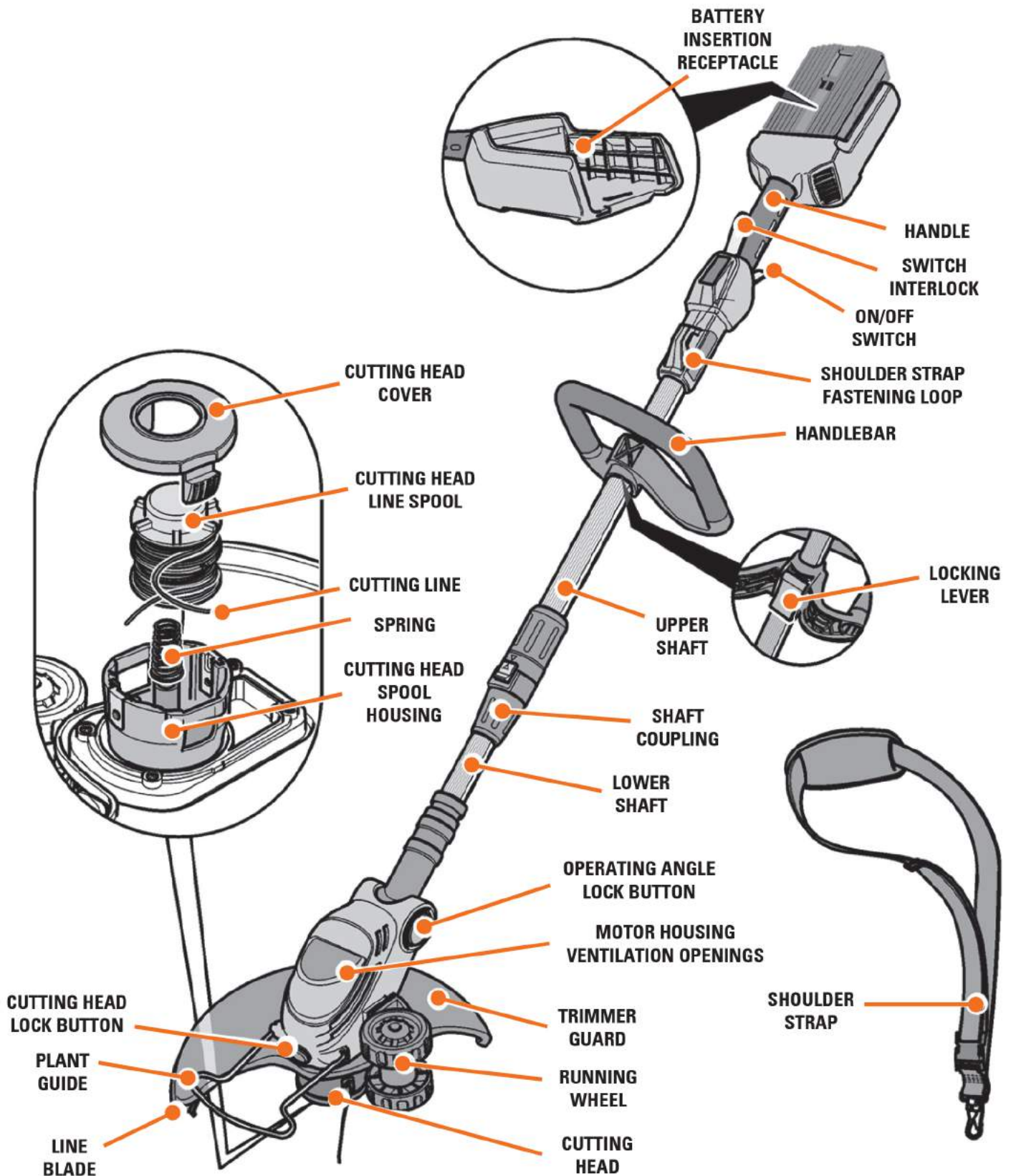
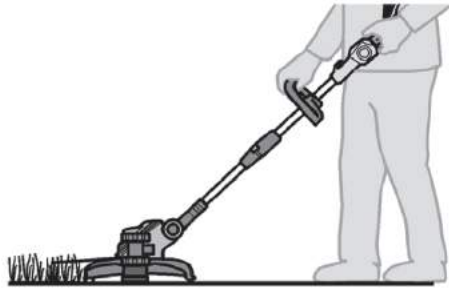


Figure 10

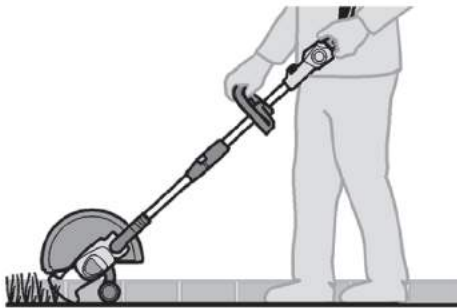
# Overview of Components





## Clearance cutting

The cutting head is guided parallel to the ground. When clearance cutting, guide the lawn trimmer in a semi-circle in front of your body.



## Edge cutting

The edge cutting function allows you to trim precisely and comfortably along the edge of the lawn.

## Changing the operating mode

1. Press downwards and hold the locking button on the shaft coupling ① (see Figure 11). Turn the lower shaft by 90° ②. The arrow on the locking button coincides with the arrow on the shaft coupling. Release the locking button ③. Check latching by slightly twisting!

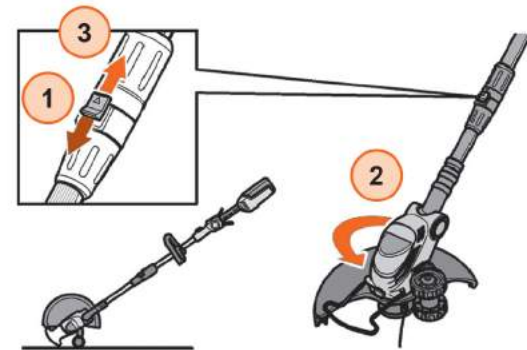


Figure 11

## Switching the Line Trimmer ON

First press and hold the switch interlock ①. Then press the On/Off switch ② (see Figure 12).

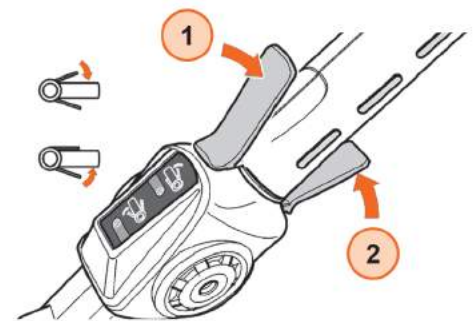


Figure 12

## Switching the Line Trimmer OFF

Release the On/Off switch (see Figure 13).

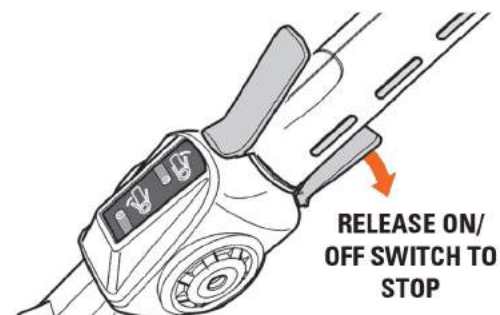


Figure 13



CAUTION

**Note that the line continues running for a few seconds when the lawn trimmer has been switched off.**

## Automatic line advance

You can advance the cutting line without stopping the motor. To advance more cutting line, gently tap the cutting head on the ground while running the lawn trimmer (see Figure 14). The line blade in the guard cuts the line back to the correct length if too much cutting line is advanced. It is best to bounce the cutting head on bare ground or hard earth.

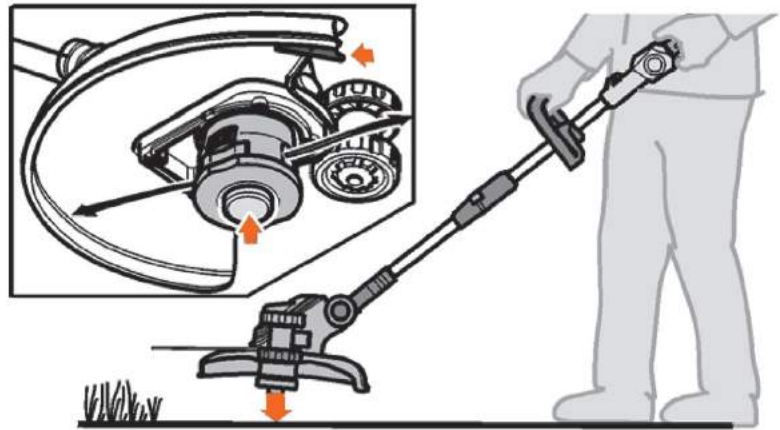


Figure 14

## Work instructions

1. Attach the shoulder belt to the unit. Pull the shoulder belt over your head. Hold the unit with both hands: one hand on the rear handle, the other hand on the handlebar.
2. Keep the cutting attachment parallel to the ground and make sweeping movements from side to side. Walk slowly forwards.
3. Use only the tip of the line for cutting, especially along walls. If more than the tip is used for cutting, the cutting capacity is reduced and the engine may overload.
4. Cut grass which is taller than 20 cm from the top down in small stages to prevent premature wear of the line and engine resistance.
5. Cut dry grass and weeds only.
6. The trim line may break by becoming entangled with foreign objects, normal material fatigue, attempting to cut thick-stalked weeds, striking walls, garden fences, etc.



CAUTION

**Before performing any maintenance on the line trimmer, remove the battery.**

### Changing the cutting head (see Figure 15)

1. Press and hold down the lock button ①.
2. Loosen the cutting head by turning in an anti-clockwise direction and remove ②.
3. Attach the new cutting head by turning clockwise. Tighten hand-tight.

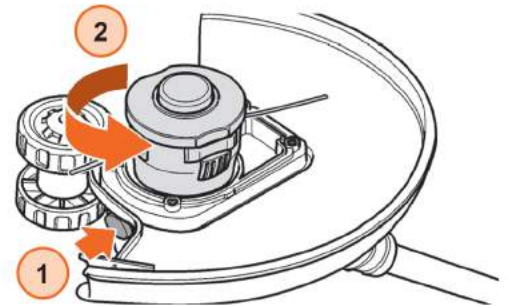


Figure 15

### Replacing the line spool

Note: Spare parts must conform with the requirements specified by the manufacturer. Use original spare parts only or spare parts authorized by the manufacturer.

#### Removal (see Figure 16)

1. At the same time press both catches together on the spool cover ① and remove the cover ②.
2. Remove the old line spool ③ and the spring ④.
3. Clean the spool housing, spring and cover with a clean cloth.

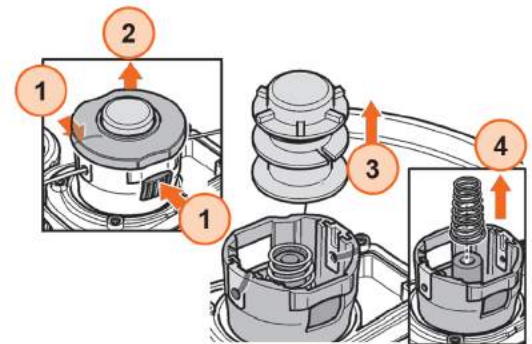


Figure 16

#### Installation (see Figures 17 & 18)

1. Insert the spring (thin end upwards) into the spool housing ⑤.
2. Pull the line ends of the new line spool out of the two opposing retaining slots of the spool housing ⑥.
3. Insert the new line spool into the spool housing ⑦.
4. Re-attach the cover to the spool housing, ensuring that both catches click into position ⑧.
5. Pull on the line ends ⑨ to release the lines from the retaining slots.

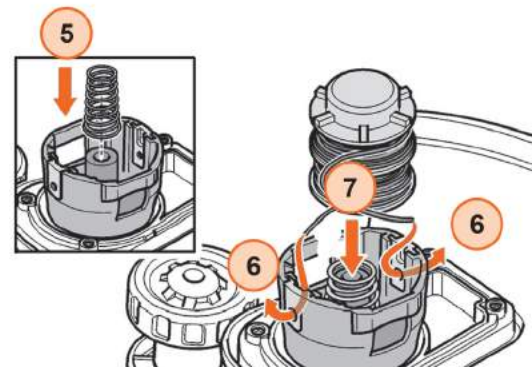


Figure 17

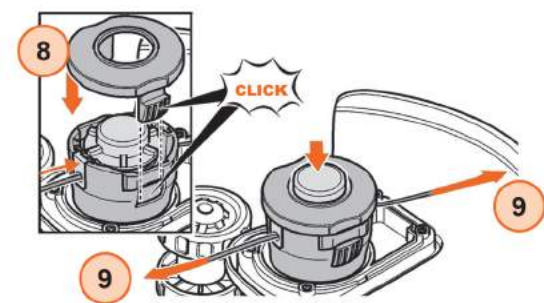


Figure 18

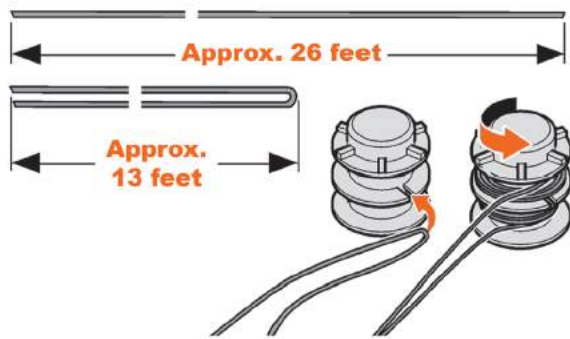


Figure 19

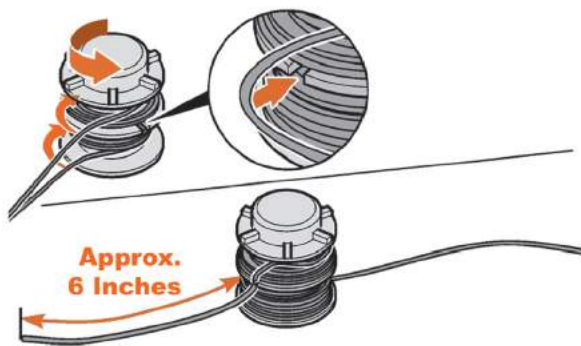


Figure 20

## Winding the spool with new line

Note: Always use a cutting line with a maximum diameter of 1/16" (1.6 mm). If a thicker line is used, the motor may overheat or fail.

1. Remove the line spool as described on page 12.
2. Clean the line spool, remove residues of cutting line.
3. Take approx. 26 feet (8 meters) of new cutting line and fold in half.

NOTE: Always use the specified line length! The line may not be released automatically if it is too long.

1. Insert the folding end of cutting line into the retaining lug of spool (see Figure 19).
2. Wind the lines in tight, even layers onto the lower and upper halves of the spool. Observe the winding direction indicated on the spool!
3. Press the line ends, approx. 6 inches (15 cm) into the two opposing retaining slots (see Figure 20).
4. Install the line spool as described on page 12.

## Cleaning

Do not use water or liquid detergents. Remove dirt and dust from the housing with a soft brush and dry cloth. Remove grass clippings from the underside of the trimmer. Keep the ventilation slots clean and free of dust.

## Storage

Remove the battery from the line trimmer when not in use. Store the line trimmer in a dry, dust-free and frost-free place ideally in a temperature range of 50° - 77°F (10-25 °C). Store the battery and the unit separately. Charge the battery fully before storing the unit for a long period.

Keep the unit, in particular its plastic components, away from brake fluids, petrol, petroleum products, penetrating oil, etc. which contain chemical substances which may damage, attack or destroy the plastic components of the unit.

## Disposal information

Render redundant garden tools unusable by removing the power cord and by removing the battery.

Recycle raw materials instead of disposing as waste. Battery, accessories and packaging should be recycled in an environmentally friendly manner. Plastic parts are identified for recycling according to material type.



CAUTION

- Do not use batteries with damaged casing.**
- Do not attempt to open batteries.**
- Do not dispose of in fire, water or household waste.**



# Warranty & Specifications

## IMPORTANT NOTICE

We, the manufacturer, reserve the right to change the product and/or specifications in this manual without notification. The manual is for information usage only and the pictures and drawings depicted herein are for reference only.

## Warranty Repair and Service

Do not return this product to the store for warranty issues or repair. Call our customer service department at **1-800-876-3009**, or visit **[www.redbacktools.com](http://www.redbacktools.com)** for the location of the nearest service center.

Record the information below for future reference.

Model No. \_\_\_\_\_

Serial No. \_\_\_\_\_

Date of Purchase \_\_\_\_\_

Place of Purchase \_\_\_\_\_

## SKU/Part No.

## MODEL E312D

Description	40V Lithium Ion Cordless Line Trimmer
Rated Voltage	40 Volts DC
Speed	7500 rpm (no load)
Cutting Diameter	12 inches diameter
Cutting Line Diameter	0.039 Inches (1.6mm)
Run Time	Up to 25 minutes (with 2.0Ah battery)
Weight	6.9 Lbs. (w/o battery)
Warranty	1-Year Limited Warranty

# redback tools

For Service or Questions

**1-800-876-3009**

[www.redbacktools.com](http://www.redbacktools.com)

email us at [support@redbacktools.com](mailto:support@redbacktools.com)