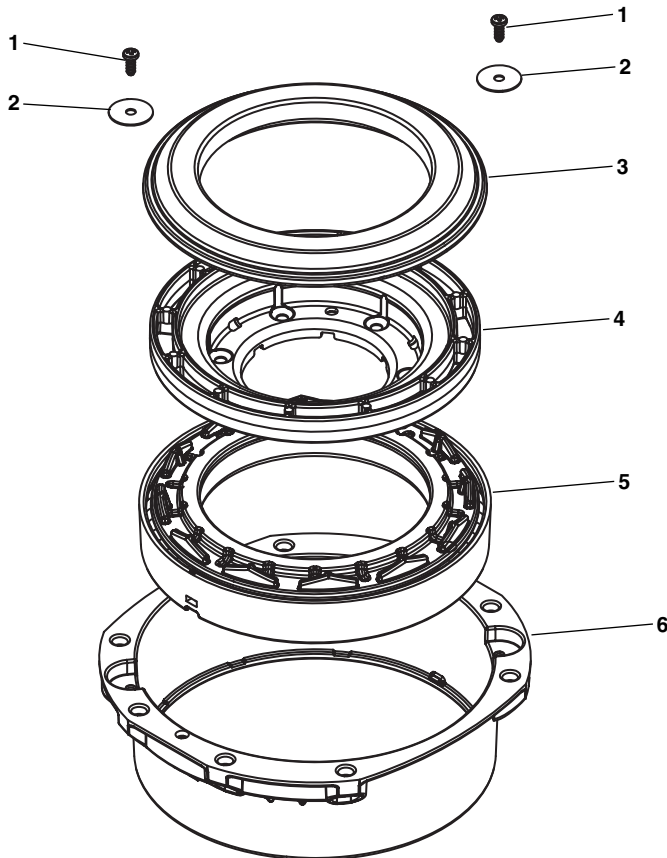


NOTE: Order parts by Catalog Number only. DO NOT order by Reference Number.

Ref. No.	Catalog No.	Description
1	35663	Screw, #6 x 5/8" (5)
2	50848	Hub Shield
3	35933	Sealing Clamp
4	35658	Push Cable Retainer
5	50833	Screw, #8-32 x 1 1/8" (2)
6	50838	Flat Washer (2)



Ref. No.	Catalog No.	Description
1	35548	Screw, #4-20 x 5/16"
2	53528	Flat Washer (2)
3	43493	Front Bearing Asm.
4	53258	Bearing Spacer
5	47593	Back Bearing Asm.
6	53253	Bearing Housing