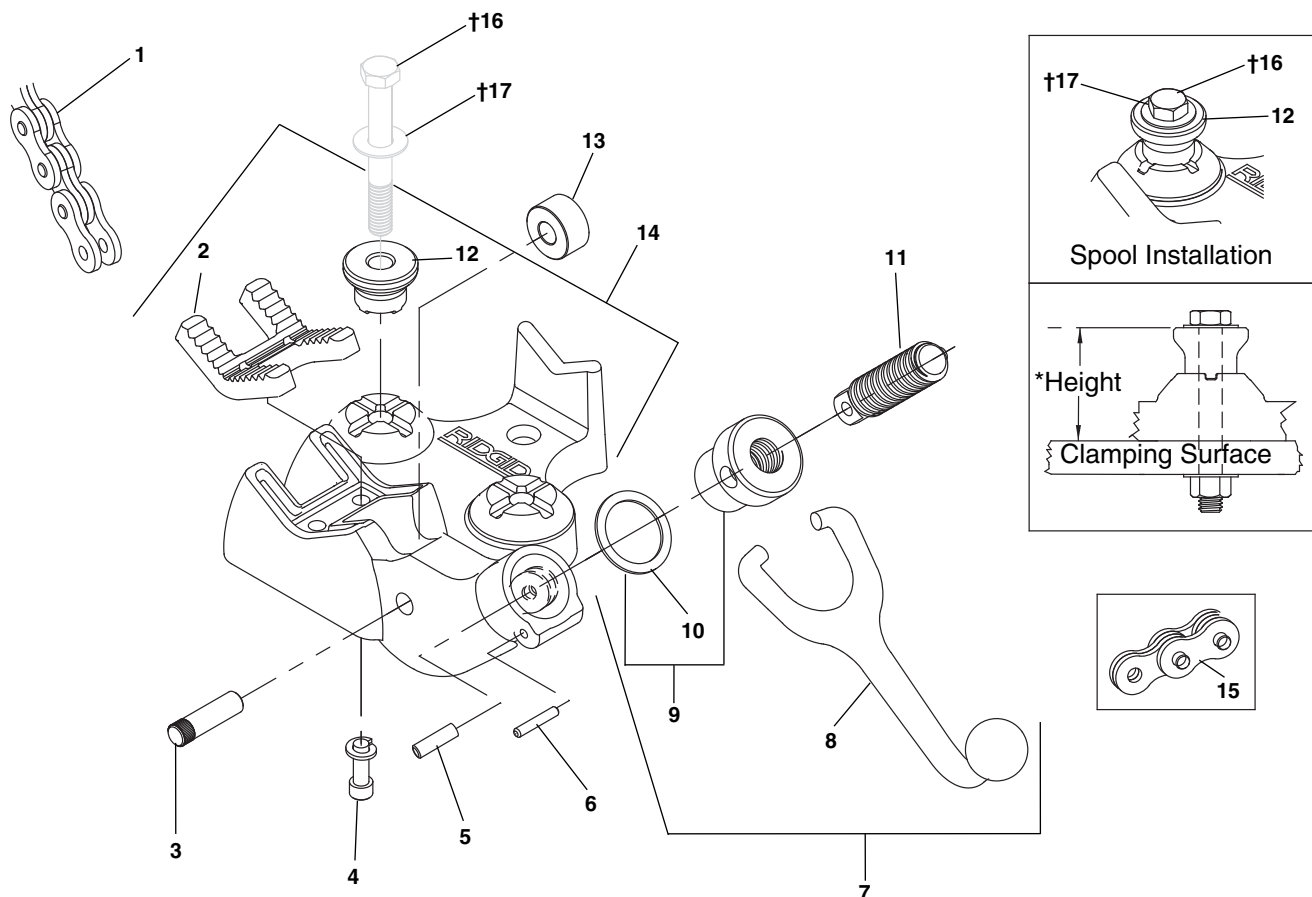


Nos. BC-210A, BC-410A, BC-510A, BC-610A & BC-810A



**NOTE: Order parts by Catalog Number only.
DO NOT order by Reference Number.**

	BC-210A 1/8"-2 1/2"	BC-410A 1/8"-4"	BC-510A 1/8"-5"	BC-610A 1/4"-6"	BC-810A 1/2"-8"
Ref. No.	Catalog No.	Catalog No.	Catalog No.	Catalog No.	Catalog No.
1 Chain Assembly	41005	41055	72092	41130	41155
2 Jaw	44858	41020	41020	41085	41140
Jaw f/Plastic Pipe	41275	41280	41280	—	—
Jaw f/Coated Pipe	—	40222	40222	—	—
3 Roll Pin	41035	41035	41035	41110	41110
4 Jaw Screw with Washer (2)	48288	32457	32457	41090	41145
5 Chain Screw Pin	41040	41040	41040	41115	41115
6 Nut Locking Pin	48413	31650	31650	48418	48418
7 Handle Assembly	41000	41050	41050	41125	41125
8 Handle	40970	41015	41015	41080	41080
9 Swivel Nut Assembly	41010	41060	41060	41135	41135
10 Friction Ring	40975	41025	41025	41100	41100
11 Chain Screw	40980	41065	41065	41095	41095
12 Spool (2)	48298	48383	48383	48383	48388
13 Roll	40990	40990	40990	41105	41105
14 Base Assembly	48293	48393	48398	48403	48408
15 Chain Link Assembly	68625	68625	68625	68630	68630
†16 Recommended Bolt Size	3/8"	1/2"	1/2"	1/2"	5/8"
†17 Recommended Washer Size	3/8"	1/2"	1/2"	1/2"	5/8"

*Height Spool and Base Height (inch)

†Ref. No. 16 & 17 not provided. Minimum Grade 5 Bolt