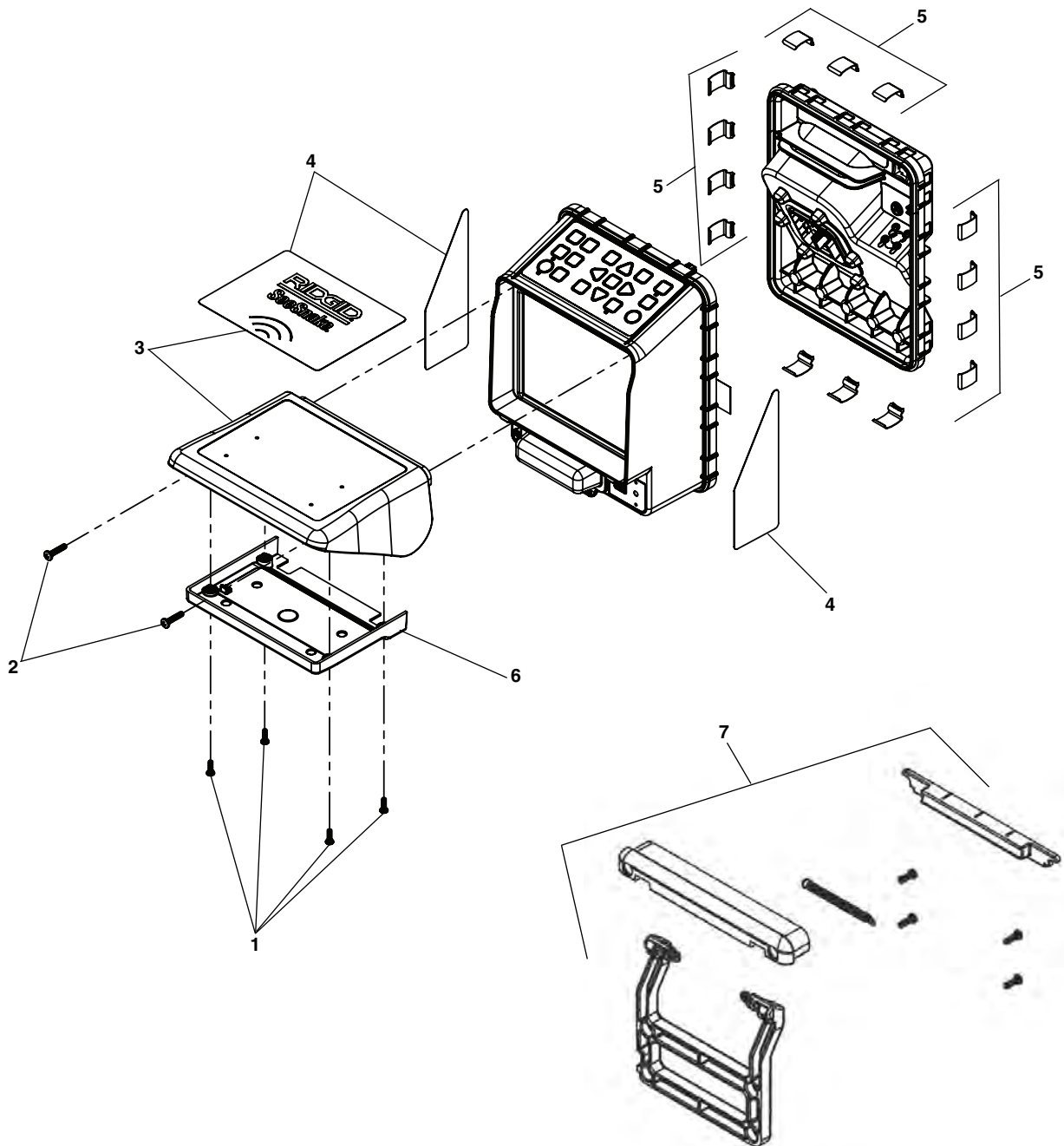


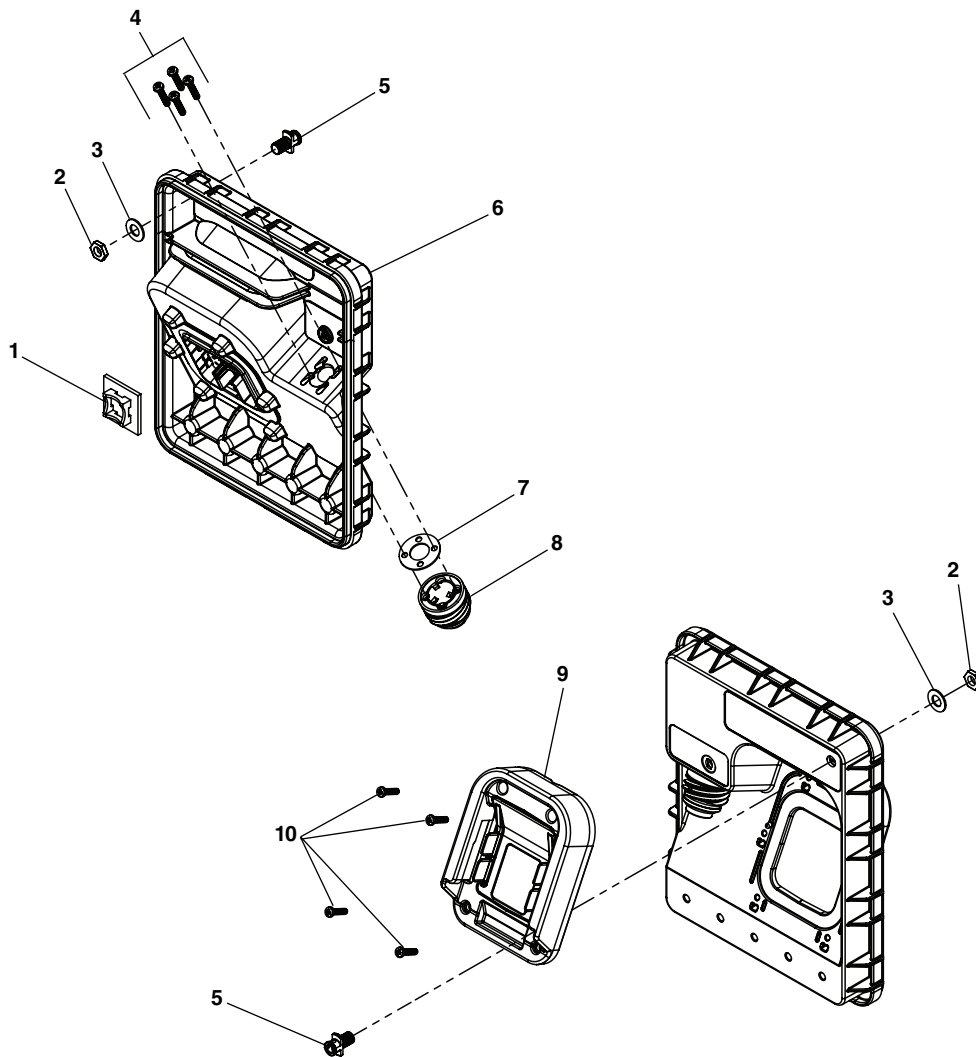
**NOTE: Order parts by Catalog Number only.
DO NOT order by Reference Number.**

<u>Ref. No.</u>	<u>Catalog No.</u>	<u>Description</u>
1	50048	Screw, #8 x 3/4" (2)
2	24368	Screw, #6 x 3/4" (9)
3	49133	Bottom Handle
4	49148	Kickstand
5	49138	Handle Clamp
6	49078	Keypad
7	49153	Top Handle (Incl Handle Weight)
8	49143	Handle Insert



**NOTE: Order parts by Catalog Number only.
DO NOT order by Reference Number.**

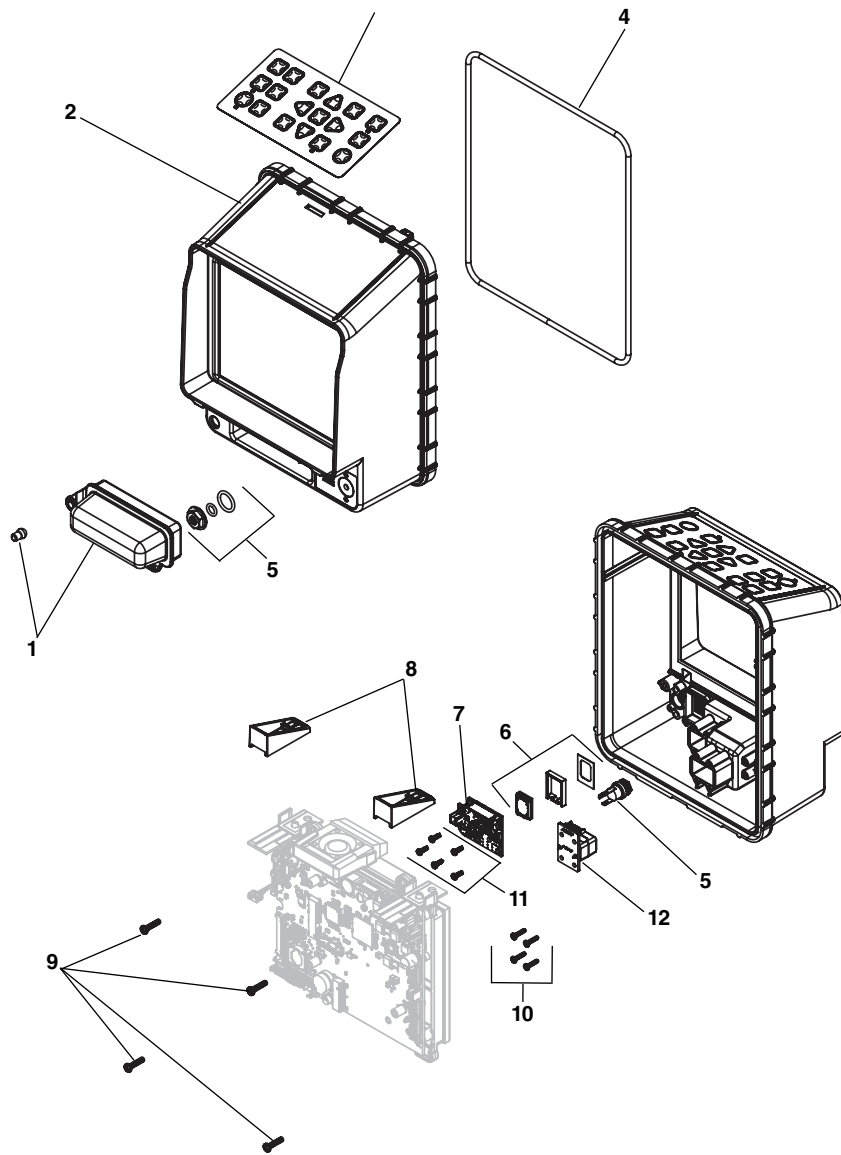
Ref. No.	Catalog No.	Description
1	49043	Screw, #4-20 X 3/8" (4)
2	35663	Screw, #6 X 5/8" (2)
3	59838	Sunhood
4	59833	Label Set
5	34023	Clip, Housing (14)
6	49048	Inner Lid Cover
7	49268	Lid Hinge Kit



**NOTE: Order parts by Catalog Number only.
DO NOT order by Reference Number.**

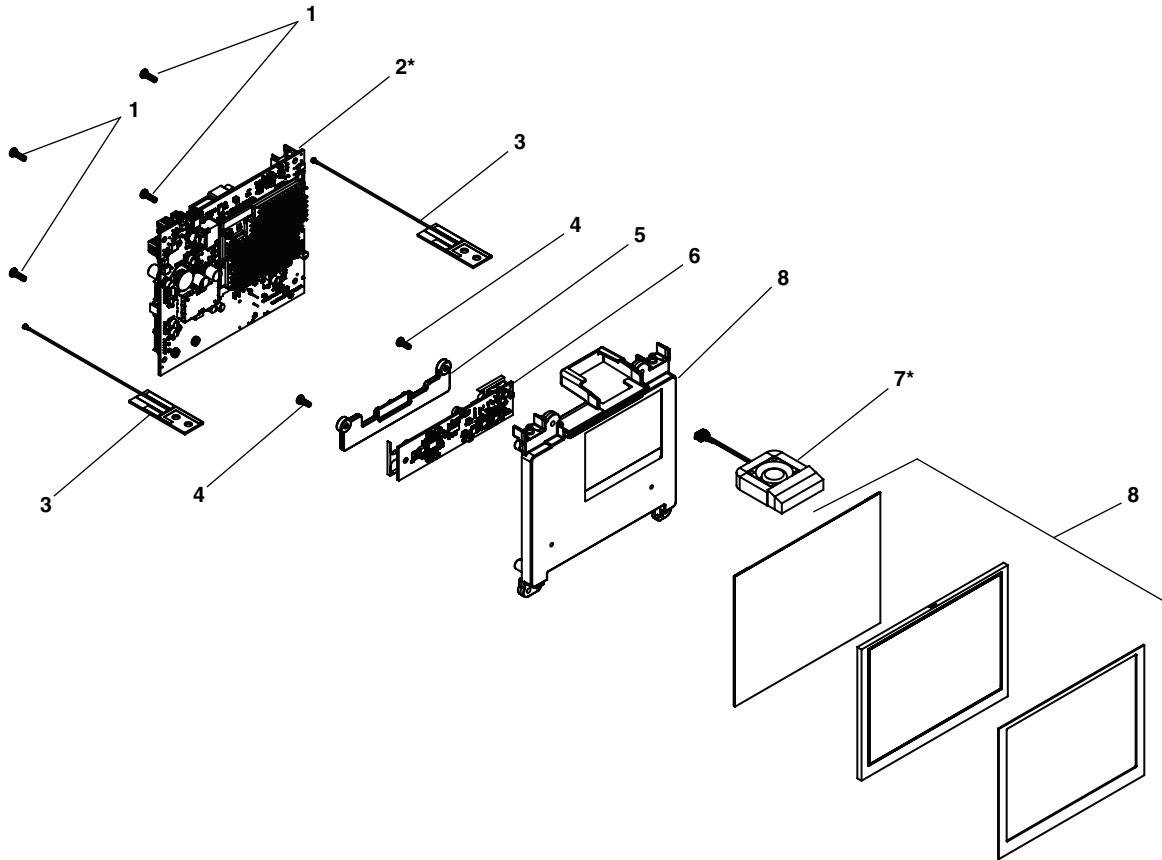
Ref. No.	Catalog No.	Description
1	61398	Tie Holder
2	49163	Hex Nut 1/4"-32
3	49168	Flat Washer
4	52958	Screw, #4-20 X 5/8" (4)
5	33918	Ground Terminal
6*	59843	Rear Cover Asm (Incl Ref #'s 1-10)
7	49188	Bulkhead Gasket
8	33848	Bulkhead
9	59848	Battery Interface
10	49118	Screw, #4 X 1/2" (4)

* Internal Rear PCB Included (Not Pictured)



**NOTE: Order parts by Catalog Number only.
DO NOT order by Reference Number.**

Ref. No.	Catalog No.	Description
1	49068	Front Connector Cover w/Pin
2	61423	Front Case (Less Keypad)
3	49078	Keypad
4	49083	Foam Seal
5	61413	DC Jack Asm
6	49088	Speaker Asm
7	49093	Audio PCB
8	60003	Wi-Fi Antenna Mount
9	49118	Screw, #4 X 1/2" (4)
10	52308	Screw, #2 X 3/8" (4)
11	32208	Screw, #2-28 X 1/4" (5)
12	59863	USB Connector PCB



**NOTE: Order parts by Catalog Number only.
DO NOT order by Reference Number.**

Ref. No.	Catalog No.	Description
1	24553	Screw #4-20 X 3/8" (4)
2*	60763	Main PCB
3	61428	Wi-Fi Antenna (2)
4	61448	Screw, #4-20 X 3/16" (2)
5	55813	LCD Connector Clamp
6	61433	LCD Interface PCB
7*	61443	Cooling Fan Rev A
	62398	Cooling Fan Rev B
8	60373	LCD Asm

* Must Be Programmed At Factory

* To Determine If Rev A or Rev B Cooling Fan Is Required, Look For Rev Letter On Main PCB