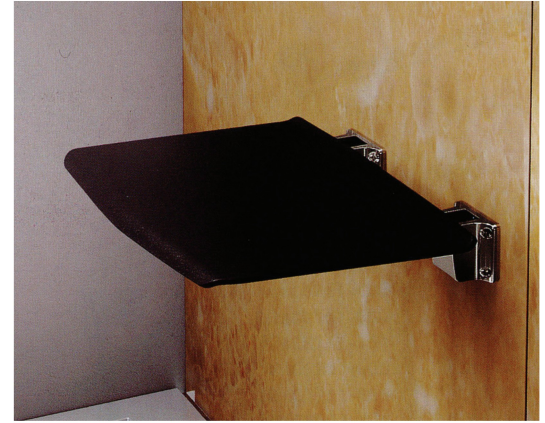


## FEATURES

- Aluminum and ABS fold-up anti-bacterial shower seat.
- Surface mounted metal wall brackets and metal seat support
- Seat holds up to 330 lbs. capacity
- A fold-up seat offers a comfortable seating area when required, and tucks back against the wall when not in use.
- ADA complaint when installed according to ANSI A117.1 requirements.
- Lifetime Limited Residential / 5 Year Commercial

## COLOR

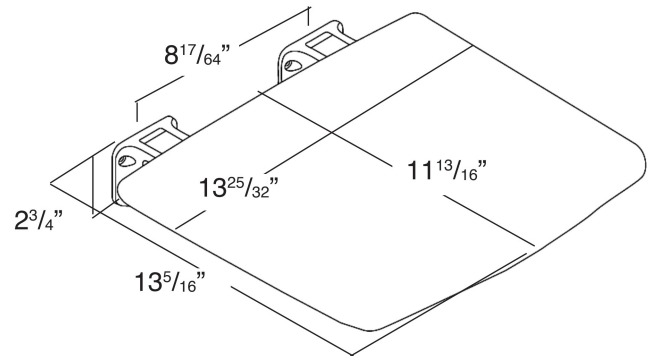
- White
- Black



## To Be Specified:

	MODEL NO.	DESCRIPTION	Length	Height	Depth
<input type="checkbox"/>	SMFSS1313-	Fold-up Shower Seat	13 <sup>25</sup> / <sub>32</sub> "	2 <sup>3</sup> / <sub>4</sub> "	14 <sup>3</sup> / <sub>8</sub> "

**TO ORDER** add the color code to end of model number



## To Be Specified: Color (see below)

<input type="checkbox"/>	<b>31</b> White
<input type="checkbox"/>	<b>09</b> Black

## Compliance Certifications - Meets or Exceeds the Following Specifications



Meets the Americans with Disabilities Act guidelines and ANSI A117.1 requirements for accessible and usable building facilities-check local codes when installed per accessibility guidelines of the act.

