

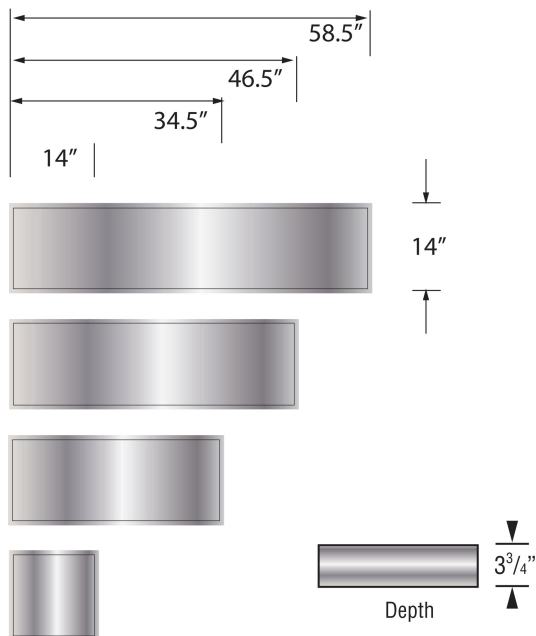
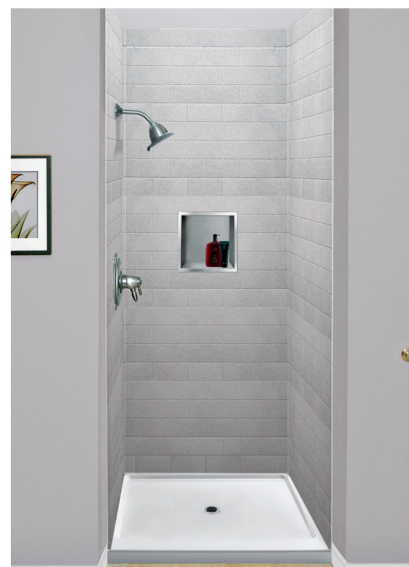
### FEATURES

- Storage Pods for on-site installation are a beautiful and easy to install addition to Samuel Mueller solid surface walls. Add solid surface material to either B for back wall only or BS for back & side walls of storage pods to either match or coordinate with wall colors.
- LED Lighted Pods option available. Pods have a waterproof light strip on top side of pod. Pods can be Direct Current (DC) lighted which includes transformer and driver with an 8 ft. cord with illumination of lights triggered from a motion sensor built into the storage pod.
- Horizontal storage pods are available in 3 finishes: brushed stainless steel(BS), PVD finishes(CB), Powder Coated finishes.
- Pods have a 1/2" brushed stainless steel flange surrounding the pod for a clean finished look.
- 10 Year Limited Residential Warranty / 3 Year Commercial Warranty

### To Be Specified:

MODEL NO.	DESCRIPTION	Width	Height	Depth
<b>HORIZONTAL STORAGE PODS</b>				
<input type="checkbox"/> SMSTH5814	Horizontal Pod for min. 60" width	58 1/2"	14"	3 3/4"
<input type="checkbox"/> SMSTH4614	Horizontal Pod for min. 48" width	46 1/2"	14"	3 3/4"
<input type="checkbox"/> SMSTH3414	Horizontal Pod for min. 36" width	34 1/2"	14"	3 3/4"
<input type="checkbox"/> SMSTH1414	14" square Horizontal Pod	14"	14"	3 3/4"

**To order:** see the order example **SMSTHL5814-CB45BS** (Horizontal Storage Pod 58" x 14", DC Powered Light, champagne bronze with Bleached Oak color on both back & side interior walls)



<b>METAL COLORS</b>		<b>ACCENT POWDER COLORS</b>					<b>CLASSIC POWDER COLORS</b>				
Brushed Stainless (BS)	Champagne Bronze (CB)	Copper Metallic (CM)	Antique Silver (AS)	Coffee (CO)	Sea Foam (SF)	Venetian Copper (VC)	White (WH)	Cameo (CA)	Biscuit (BI)	Grey (GR)	Matte Black (MB)

See Installation details on next page

# Accessories

## SMSTH Horizontal Storage Pods

### Horizontal Storage Pod

Model No	Cut Out Dimensions	
	Width	Height
SMSTV5814	57-1/2"	13"
SMSTV4614	45-1/2"	13"
SMSTV3414	33-1/2"	13"
SMSTV1414	13"	13"

Install with a Header Top & Bottom

