

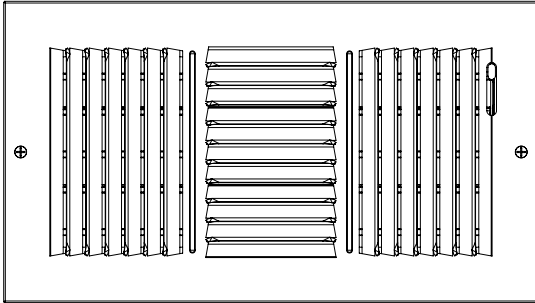


CSW Industrials Companies

# Residential Submittal

## 3-Way Stamped Register

MODEL: 845 OBD Series



### Standard Features:

- 3-Way register with stiffened 1/2" fan shaped louvers for silent operation
- For ceiling or sidewall applications
- Lever operated opposed blade damper
- All component parts, rivets, linkage, and handle enclosed in valve to assure trouble-free operation
- All components individually powder coated before assembly for smooth operation
- Countersunk mounting holes with color matching Phillips Pozidriv screws
- Rust resistant pre-coat with durable powder finish
- Soft White

### Options:

Tool operated opposed blade damper (TO-845-0)

### Finishes:

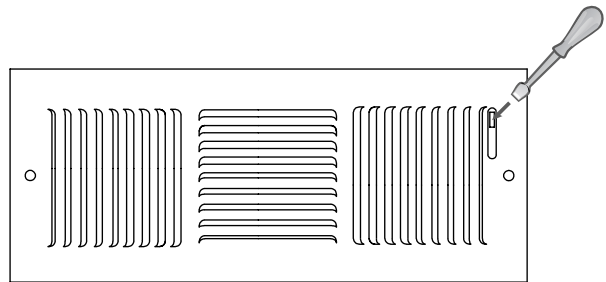
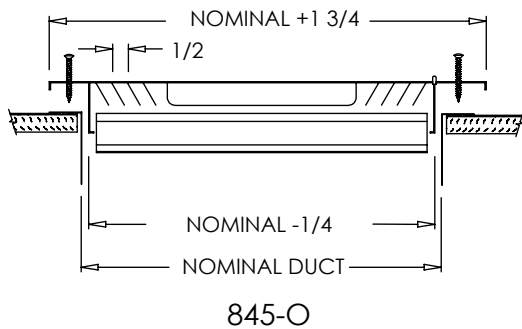
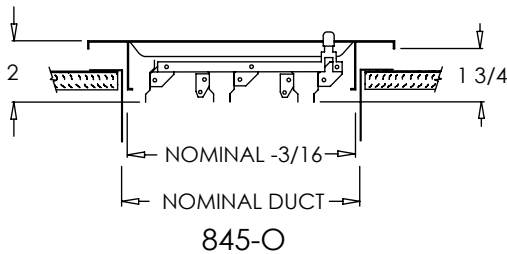
#### STANDARD COLORS

- Soft White
- Driftwood Tan

#### DESIGNER COLORS

- Black
- Bronze
- Storm Gray
- Cement Gray

- Aluminum Paint
- Coffee Tan
- Warm White



Tool Operated OBD (TO-845-0)

### Additional Information:

### Submittal Notes

Project / Location:

Engineer:

Architect:

Contractor: