

WARRANTY  
 Limited Lifetime – Residential  
 Limited 25-year – Commercial

**WALL ACCESSORIES**
**DSP-2 Tub Wall Soap Dish Panel**

Model	Part	Dimensions	Ship Wt. Lb.	Carton Dims. In.	Cu. Ft.
DSP-2	SS60000SD	6-1/2" W x 60" H	9	61 x 8 x 5	1.42

Kit Includes: One 6-1/2" x 60" panel with two molded-in soap shelves

**Swanstone Wall Panel Trim Kits**

Model	Part	Dimensions	Ship Wt. Lb.	Carton Dims. In.	Cu. Ft.
TK-6072	TK06072	–	23	76 x 10 x 3	1.32
TK-105	TK00105	–	32	107 x 10 x 3	1.86
TK-105-TP	TK00105TP	–	10	107 x 10 x 3	1.86

TK-6072 accommodates Swanstone 60" or 72" high bathtub and shower wall panel systems.  
 Kit Includes: Four 3-7/8" x 74" trim strips, two 1-1/4" x 1/2" x 72" corner moldings and one tube of color coordinated silicone.

TK-105 accommodates Swanstone 96" high shower wall panel system.  
 Kit Includes: Two 3-7/8" x 105" trim strips, two 3-7/8" x 74" trim strips, two 1-1/4" x 1/2" x 96" corner moldings and one tube of color coordinated silicone.

TK-105-TP: Single trim piece  
 Kit includes: One 3-7/8" x 105" trim piece. Can be cut to use with 72" walls.

**Swanstone Corner Moldings (set of 2)**

Model	Part	Dimensions	Ship Wt. Lb.	Carton Dims. In.	Cu. Ft.
CM-2072	CM00072	1/2" D x 1-1/4" W x 72" H	4	73 x 2 x 2	.17
CM-2096	CM00096	1/2" D x 1-1/4" W x 96" H	6	97 x 2 x 2	.22

**TK-0372 Batten Strip**

Model	Part	Dimensions	Ship Wt. Lb.	Carton Dims. In.	Cu. Ft.
TK-0372	TK00372	1/4" D x 3-3/4" W x 72" H	5	73 x 4 x 1	.17

Kit Includes: One 3-3/4" x 72" flat batten strip

**SSWTK-1 Swanstone Window Trim Kit**

Model	Part	Dimensions	Ship Wt. Lb.	Carton Dims. In.	Cu. Ft.
SSWTK-1 (single)	TK03610	–	30	37 x 12 x 4	1.03

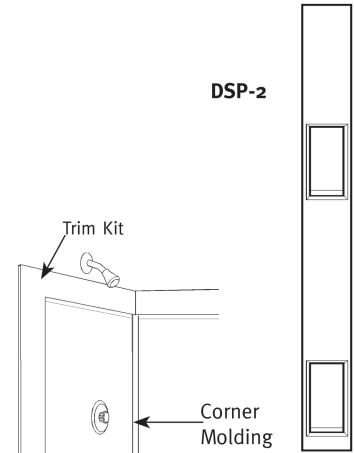
Designed for window sill applications up to 36" wide and 10" deep.  
 Kit Includes: One horizontal Swanstone sill panel and two vertical Swanstone jamb panels.  
 Packaging: Packed in individual cartons, both singly\* and with a master carton (6 pack).

**SS-29 and SS-72 Installation Kits**

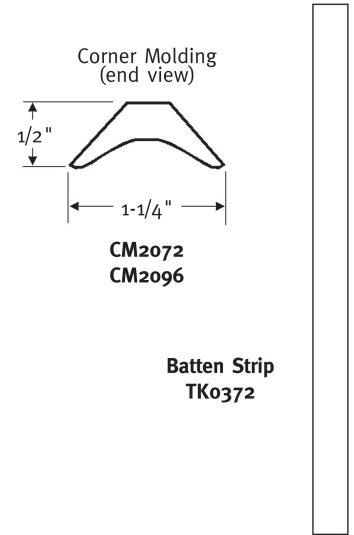
Model	Part	Dimensions	Ship Wt. Lb.	Carton Dims. In.	Cu. Ft.
SS-29*	SS29000	–	6	12 x 7 x 7	.34
SS-72**	SS72000	–	2	14 x 7 x 4	.23

\*Kit Includes: Four tubes of clear silicone and one tube of color coordinated silicone to mount wall panels.  
 One kit per tub wall panel system. Packed in individual cartons.

\*\*Kit Includes: One tube of clear silicone and one tube of color coordinated silicone to attach single panel to any properly prepared surface. For multiple panel applications, more than one kit will be required. One kit per panel.  
 Packed in individual cartons.

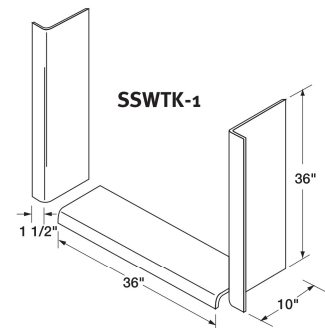


TK-6072  
TK-105



CM2072  
CM2096

Batten Strip  
TK0372



SSWTK-1



SS-29



SS-72