



## FR-3260L/R Veritek® Retrofit Shower Floors With Fit-Flo™ Drain

Manufactured from Veritek®  
(See page 2 for detailed information.)

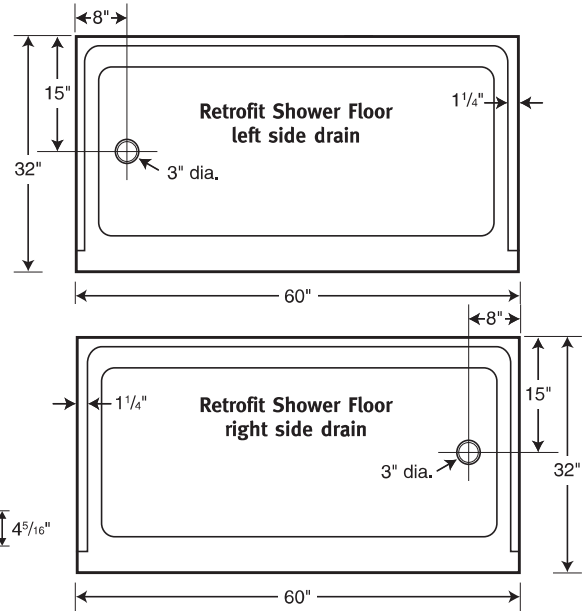
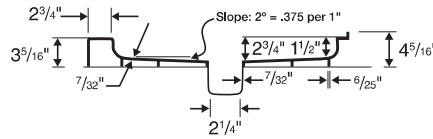
WARRANTY  
Limited Lifetime – Residential  
Limited 5-year – Commercial

### FEATURES

- Will not mold or mildew, no grout to clean.
- Coordinates with other Swanstone or Veritek® products.
- Pebbled, slip-resistant surface.
- Made of Veritek® with no surface coating to chip or crack.
- Without expensive plumbing re-work, this floor can be installed in the same space once occupied by a standard bathtub.

Model	Nominal Size	Rough-In Dimensions			
		60"	32"	8"	15"
FR-3260L (Left Drain)	32" x 60"	60-3/8"	32-3/16"	8-3/16"	15-3/16"
FR-3260R (Right Drain)	32" x 60"	60-3/8"	32-3/16"	8-3/16"	15-3/16"

IMPORTANT: Rough-in dimensions are provided for reference only. You must measure the actual shower floor and check local building code requirements before construction of the stud wall.



### SPECIFICATIONS

#### FR-3260L/R Veritek® Retrofit Shower Floors With Fit-Flo™ Drain

Model	Part	Nominal Size Dimensions	Ship Wt. Lb.	Ship FedEx	Carton Dims. In.	Cu. Ft.
FR-3260L (Left Drain)	FR3260LM	32" D x 60" W (813 mm x 1524 mm)	56	-	66 x 37 x 10	15
FR-3260R (Right Drain)	FR3260RM	32" D x 60" W (813 mm x 1524 mm)	56	-	66 x 37 x 10	15

Includes: One code-approved compression-molded Veritek® shower floor with molded-in Fit-Flo drain.

Packaging: Each floor packed in a rectangular carton.

### COLORS

#### Solid Colors:

- White (010)
- Bisque (018)
- Bone (037)

### STANDARDS AND RATINGS

American National Standard Institute—ANSI Z124.1.2  
International Association of Plumbing and Mechanical Officials (IAPMO)—Listed  
CSA Standard B45.5 by IAPMO  
Uniform Plumbing Code (UPC)

For a complete list of tests and results see the Technical Data Sheet.

### SUPPORT DOCUMENTS

Installation instructions available at [swanstone.com](http://swanstone.com).

### MAINTENANCE AND CLEANING INFORMATION

Clean regularly with common household liquid cleaners and a sponge or soft cloth. For hard water stains, scale removers can be used. If necessary, abrasive cleaners can be used with a nylon brush or pad to remove build up on the shower floor surface. **Do not** use a metal-scouring pad or a wire brush, as it will damage the surface. **Do not** use "leave on" cleaning products, such as automatic spray shower cleaners. Prolonged contact with harsh chemicals could have an adverse reaction over time and discolor surfaces. **Do not** use cleaning agents that caution use on acrylic, polyester or plastics.

