

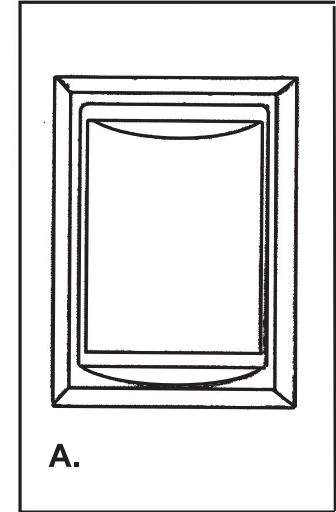
Model SS-7211
Installation • Care and Cleaning
Included in Carton
A. One Corner Soap Dish

Surface Preparation

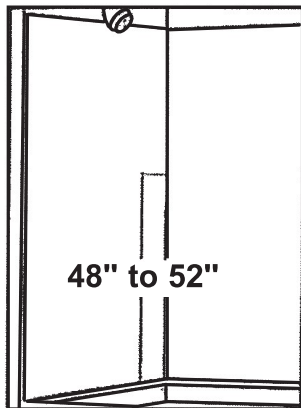
Surface must be dry, smooth, and free of any dirt soap scum, or other contaminants. Wipe surface with a damp cloth.

Cleaning

Following Installation: Silicone sealant residue can be cleaned up with mineral spirits.

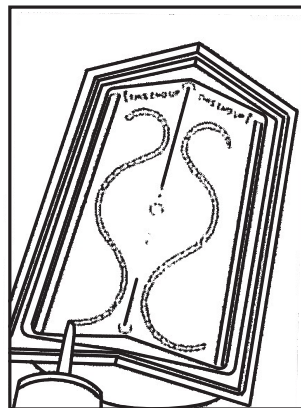

Day-To-Day Cleanup

Like all Swanstone material, use normal household detergents and cleaners. Just wiping the surface removes water marks and residues. Occasional scrubbing with household abrasive cleaners ensures that the original luster is maintained similar to tile and other permanent bath fixture materials.

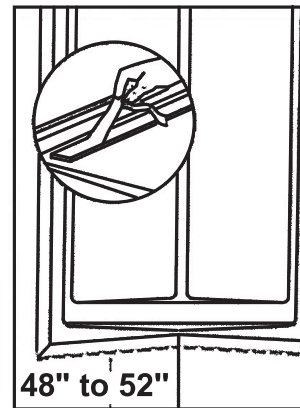


1. Select which corner you wish to locate your corner soap dish. For purposes of convenience, the manufacturer, recommends you locate the corner soap dish in the corner nearest to the shower head.

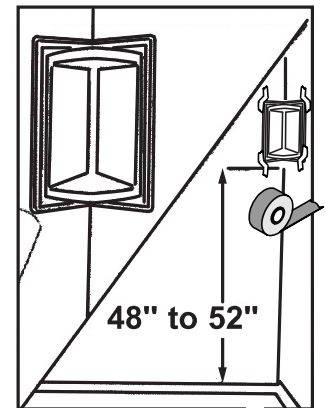
Measure up from the ledge of the shower floor 48" to 52" and make a mark on the wall in the desired corner. This is a recommended location of the bottom of the corner soap dish. Dry fit the soap dish. The soap dish may require sanding to fit precisely in the corner. If necessary, mark and sand the side(s) of the soap dish to achieve a proper fit, using a coarse grit (60 grit) sandpaper.



2. Apply a 1/8" bead of color match silicone sealant as illustrated.



3. The back side of the Corner Soap Dish is marked "THIS END UP". Properly position and locate. Press into place for a firm fit.



4. Read instructions on the back of the tub of color match silicone sealant. Complete installation by caulking around all edges of the corner soap dish. Allow 24 hours for the sealant to dry.

NOTE: The weight of the corner soap dish may cause the corner soap dish to "sag" or "slip" down the shower panel. To prevent this, strap it with painters tape to support the corner soap dish until the silicone has time to "set-up" (approximately 24 hours.)