



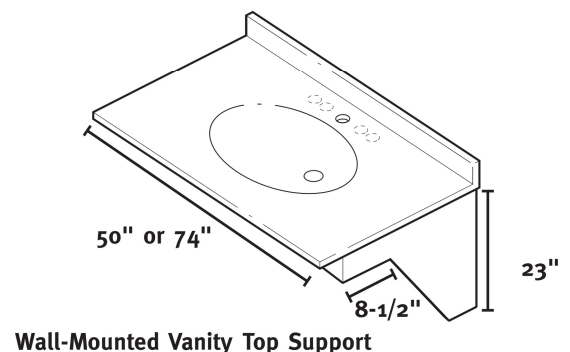
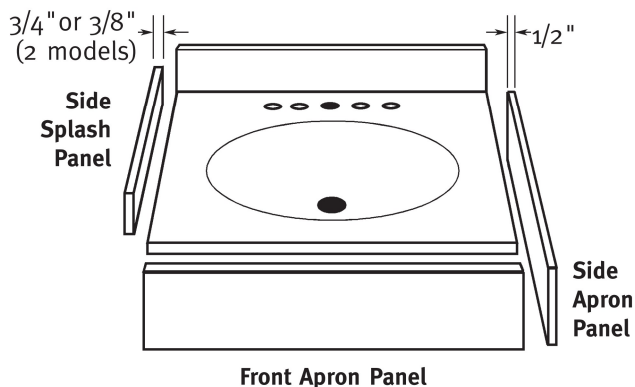
Vanity Top Accessories Chart

Manufactured from Swanstone solid surface
(See page 2 for detailed information.)

Recommended for high-use traffic areas and commercial surfaces.

WARRANTY
Limited Lifetime – Residential
Limited 25-year – Commercial

Model	Part	Dimensions	Ship Wt. Lb.	Carton Dims. In.	Cu. Ft.
Side Splash Panel for Vanity Tops (one per carton)					
VT18-3SS	VT01803SS	18" W x 3" H x 3/8" D	2	22 x 4 x 2	.10
VT19-SS	VT00019SS	18" W x 3" H x 3/4" D	3	22 x 4 x 2	.10
VT21-3SS	VT02103SS	21" W x 3" H x 3/8" D	3	22 x 4 x 2	.10
VT22-SS	VT00022SS	22" W x 3" H x 3/4" D	2	22 x 4 x 2	.10
Side Splash Panel for Chesapeake (one per carton)					
CHVTSS	CHVTSS	21-5/8" W x 3-1/2" H x 3/4" D	3	26 x 4 x 2	.12
Side Splash Panel for Europa (one per carton)					
EVSS	EV00022SS	21-1/4" W x 3-1/2" H x 3/4" D	3	26 x 4 x 2	.12
Front Apron Panel (one per carton)					
VT37FA	VT02237FA	37" W x 8" H x 1/2" D	10	38 x 9 x 2	.40
VT55FA	VT02255FA	55" W x 8" H x 1/2" D	14	56 x 9 x 2	.58
VT61FA	VT02261FA	61" W x 8" H x 1/2" D	14	62 x 9 x 2	.65
Side Apron Panel (one per carton)					
VT22SA	VT00022SA	21" W x 8" H x 1/2" D	6	22 x 9 x 2	.23
Swanstone Accessible Vanity Top Finish Kit					
VTS-50ADA	VTS50ADA	50" W x 23" H x 21-1/2" D	20	52 x 28 x 3	2.52
VTS-74ADA	VTS74ADA	74" W x 23" H x 21-1/2" D	30	76 x 29 x 3	3.82



MADE IN USA