

TOPZERO®

Seamless Edge Sinks

# Installation Instructions

www.TOPZERO.com



---

Watch the TopZero Sink Installation video on **You Tube**

---

Customer Support: 1-844-**TOPZERO**  
(867-9376)

---

follow / like us @      

---

## Recommended Supplies

- TopZero non-sag seaming acrylic adhesive
- 10 to 1 acrylic dispenser gun
- Safety glasses and mask
- Variable speed grinder with 120 to 600 grade sand papers.
- Under-mount Sink clips
- Masking tape
- Denatured Alcohol
- Razor blade
- Popsicle sticks
- Terry cloth towel

# Step 1

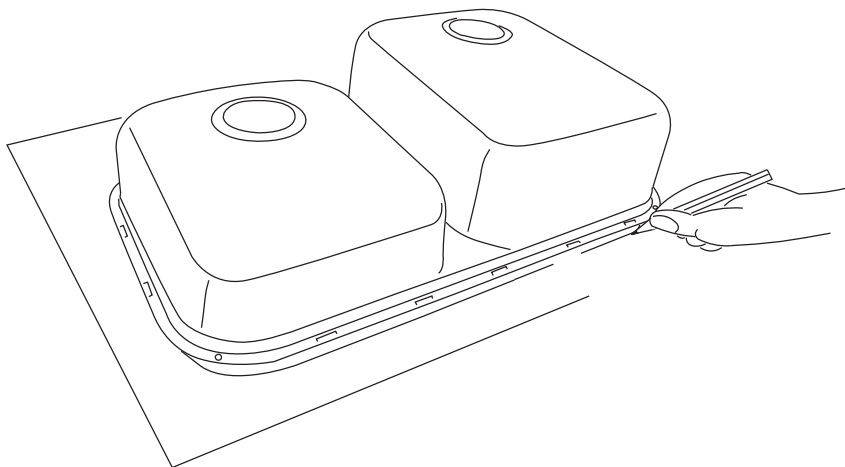
## Cutting Out The Sink Hole

- Before installing TopZero Sink, visually check for any defects or damages. Check mounting flange and the rimless edge, as well as the bowls

**The mounting flange perforated surface shall be perpendicular to the sink walls**

**TopZero Sinks can be installed in the shop or on the job-site.  
Sink holes can be cut with automated CNC equipment or water-jet by using the electronic template provided or it can be done manually**

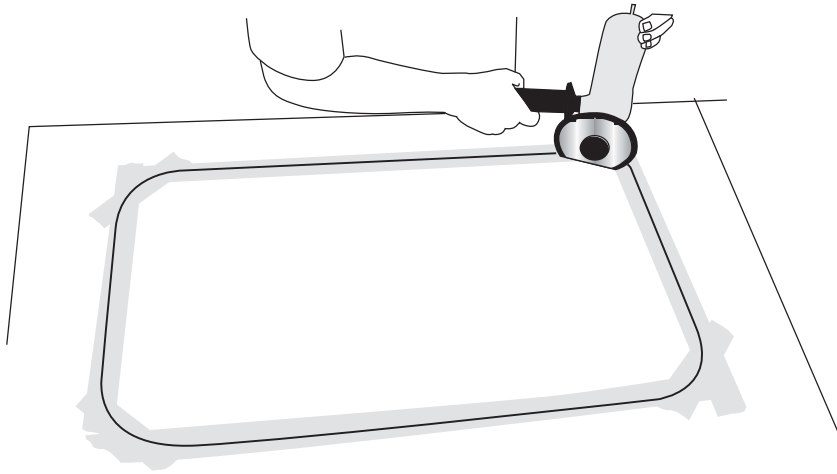
- Locate where the sink needs to be positioned on the front side of the granite countertop
- Mark the sink center line. Then mark a second line 3-1/2" to 4" back from the front edge of the countertop
- Lay the sink upside down on the template paper. Trace the sink outline with chisel tip marker to make the template with 1/16" positive reveal
- The 1/16" gap all around the sink will be filled with color-match acrylic adhesive



- Turn over the template and place it on the front face of the granite

**The template is flipped because the sink might not be 100% symmetrical due to its rimless nature**

- Tape the template on the granite and trace the outline with a fine point marker. Remove the template
- Use a grinder with a diamond blade to cut out the sink hole in the granite finished side up



## Step 2

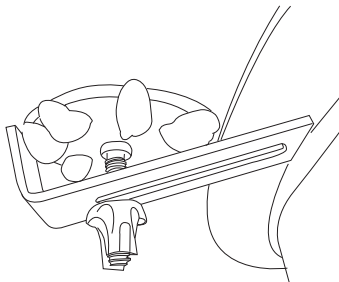
### Attaching Undermount Sink Clips

TopZero sinks are permanently installed to countertops by applying structural adhesive between the underside of the countertop and the continuous flange around the sink. Use undermount clips to secure the sink in place until the adhesive between the sink flange and the countertop hardens.

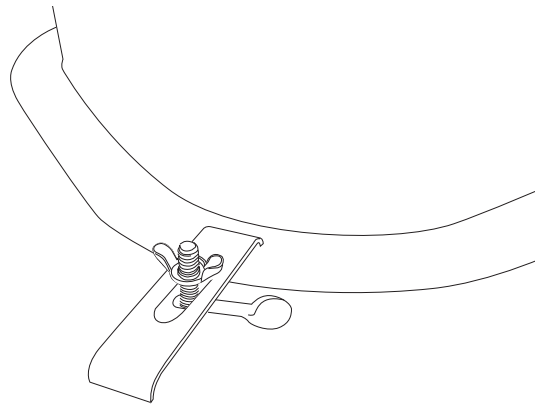
When the cut out is complete, turn the countertop finished side down. Insert the sink into the sink hole. Trace the outline of the continuous flange. Remove the sink. Undermount sink clips come in three pieces: post & bracket and nut. Install the post before you install the sink, and the brackets & nut come after. Some undermount clips require you to drill holes in the underside of the countertop and tap in screw anchors for the posts, and some posts must be secured with adhesive. See pictures below.

Layout the positions of the sink clips just outside the line you've drawn around the perimeter of the cut-out.

Install at least one post at each corner of the sink, spacing them from the outline traced. If you choose to glue the posts, clean the underside of the countertop with denatured alcohol first to ensure good adhesion. Once the posts are secure, go to STEP #3



Undermount clips secured with adhesive



Undermount clips anchored by drilling & screwing into the countertop

# Step 3

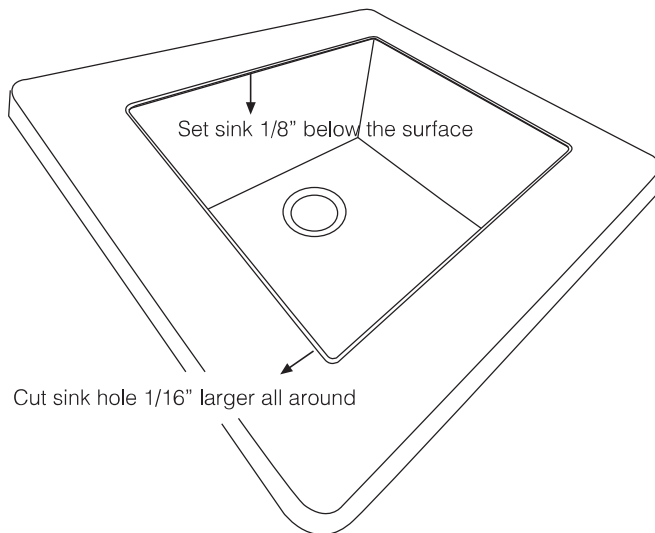
## Adjusting the Level of the Rimless Edge

### Turn the countertop finished side up

The sink flange, by standard, is welded 3cm (1-1/4") lower from the rimless edge. Use spacers to make up the difference, if you intend to install the sink to a 2cm or thinner countertop. Spacers are directly glued to the sink flange before the sink is attached to the countertop

### Insert the sink in place from underside of the countertop

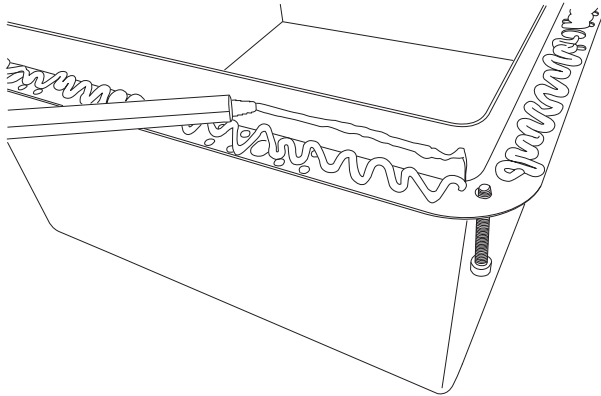
Observe the rimless edge of the sink against the finish side of the countertop. The rimless edge shall be 1/8" lower than the countertop surface with a 1/16" gap all around between the sink and the countertop. Use stopper screws on the corners of the sink flange to set suggested 1/8" drop



Remove the sink from the countertop with stopper screws already adjusted at the proper height.

## Step 4

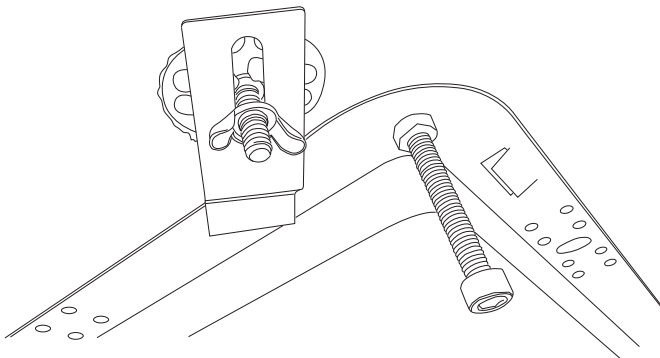
### Permanently Installing the Sink



Clean the sink edge and the flange with denatured alcohol

Apply a thick continuous bead of structural adhesive on the sink flange in a zig zag pattern bulky enough to fill the vertical gap between the flange and the underside of the countertop.

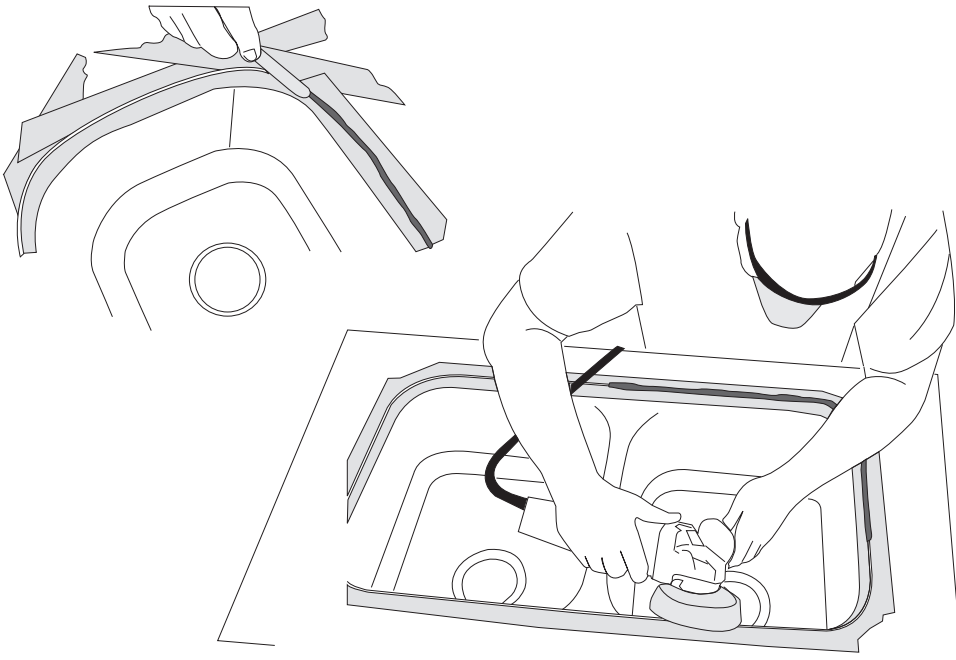
Apply another continuous line of bead on the sink wall in the middle above the sink flange all around



Insert the sink into the hole until the stopper screws hit the underside of the countertop. Tighten the clips in the corners to hold the sink in place (The undermounting clips not only give extra support to the sink installation overall, but also cut the installation time by holding the sink in place until the bonding glue between the sink flange and countertop hardens)

## Step 5

### Finished Side Gap Filling and Polish



Cover the edge of the countertop around the sink hole and the stainless-steel bowl with masking tape, clean these areas once again with denatured alcohol.

Fill the gap with color matching seaming acrylic adhesive. Push the glue into the gap with a popsicle stick. Repeat process as needed until sagging stops and gap is filled thoroughly

Smoothen the fill with popsicle stick

Wait 15-20 minutes until the gap filler hardens. Sand the joint evenly around the sink to smooth away the excessive glue for final touch. Polish the fill with fine grade sandpaper.

Remove the tape and protective film on the sink. Clean the edge with denatured alcohol.

Rinse the sink with water and dry with towel.