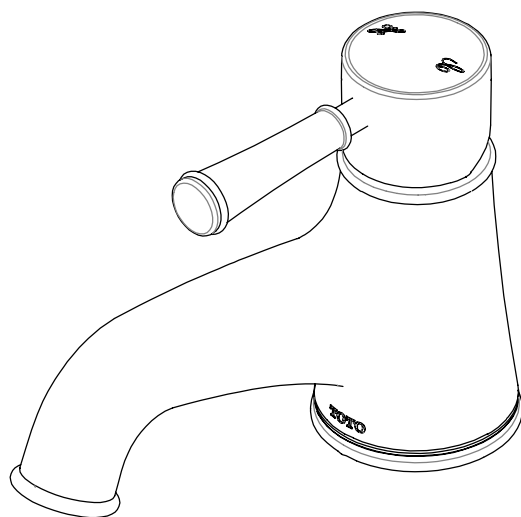
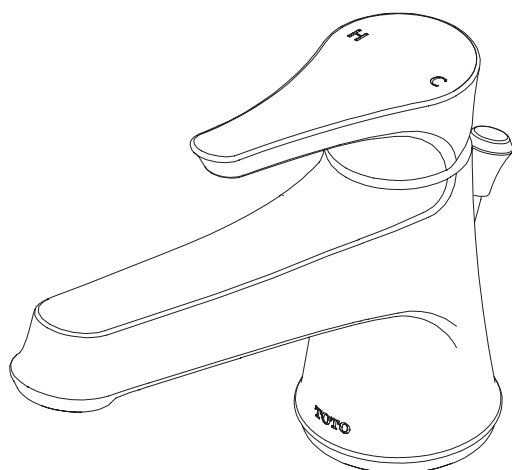


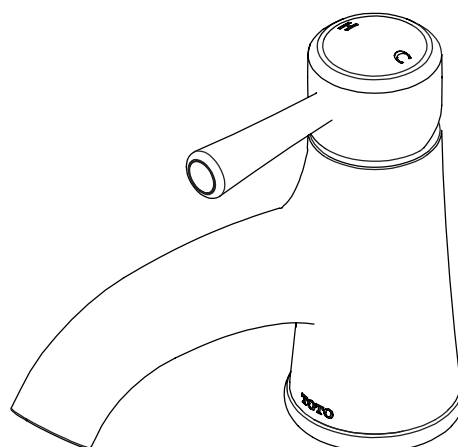
**Single Handle Lavatory Faucet**  
**Grifo Monocontrol para Lavabo**  
**Robinet Mitigeur Monocommande de Lavabo**



**Vivian®**  
**TL220SD**  
**TL220SD12**



**Wyeth™**  
**TL230SD**  
**TL230SD12**



**Silas®**  
**TL210SD**  
**TL210SD12**

Warranty Registration and Inquiry

For product warranty registration, TOTO U.S.A. Inc. recommends online warranty registration. Please visit our web site <http://www.totousa.com>. If you have questions regarding warranty policy or coverage, please contact TOTO U.S.A. Inc., Customer Service Department, 1155 Southern Road, Morrow, GA 30260 (888) 295-8134 or (678) 466-1300 when calling from outside of U.S.A.

**TABLE OF CONTENTS**

Thank You for Choosing TOTO! ..... 2

Care And Cleaning ..... 2

Warnings..... 2

Common Tools Needed..... 3

Before Installation ..... 3

Included Parts ..... 3

Installation Procedure..... 4-5

Warranty..... 6

Rough-In Dimensions ..... 17-19

**THANK YOU FOR CHOOSING TOTO!**

The mission of TOTO is to provide the world with healthy, hygienic and more comfortable lifestyles. We design every product with the balance of form and function as a guiding principle. Congratulations on your choice.

**CARE & CLEANING**

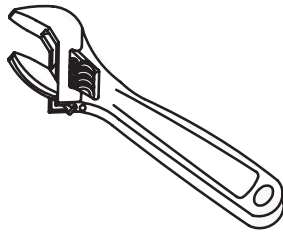
Your new faucet is designed for years of trouble-free performance. Keep it looking new by cleaning it periodically with mild soap, rinsing thoroughly with warm water and drying with a clean, soft cloth. Do not use abrasive cleaners, steel wool or harsh chemicals, as these will dull the finish. Failure to follow these instructions may void your warranty.

**WARNINGS**

For safe operation of the faucet, please observe the following:

- ④ Operating Pressure:
  - ③ Minimum Pressure .....20 psi (0.14 MPa), dynamic
  - ③ Maximum Pressure .....80 psi (0.55 MPa), static
- ④ Do not use the product at an ambient temperature below 32 °F (0 °C).

## COMMON TOOLS NEEDED

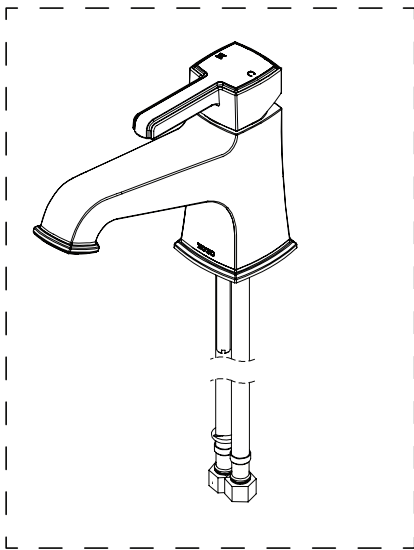


Adjustable Wrench

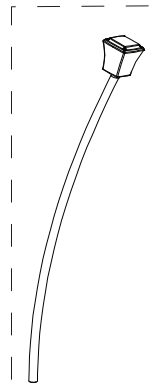
## BEFORE INSTALLATION

- Observe all local plumbing codes.
- Make sure the water supply is shut off.
- Read these instructions carefully to ensure proper installation.
- TOTO® reserves the right to update product design without notice.
- Check to make sure you have the following parts indicated below:

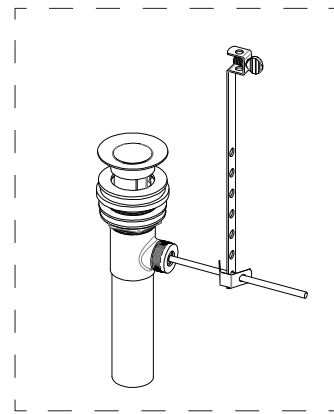
## INCLUDED PARTS



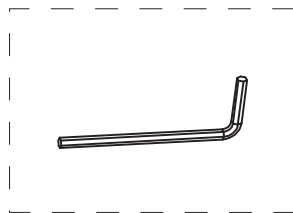
Spout Assembly\*



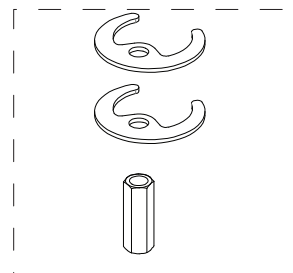
Drain Lift Rod\*



Drain Assembly



2.5mm Hex Key



Spout Mounting Hardware

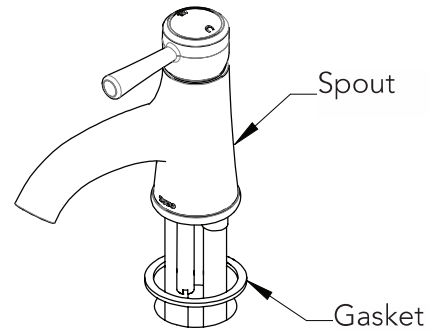
\* Actual product may vary in appearance depending on model. TL220SD shown.

## INSTALLATION PROCEDURE - Faucet

ENGLISH

1. Place gasket under spout.

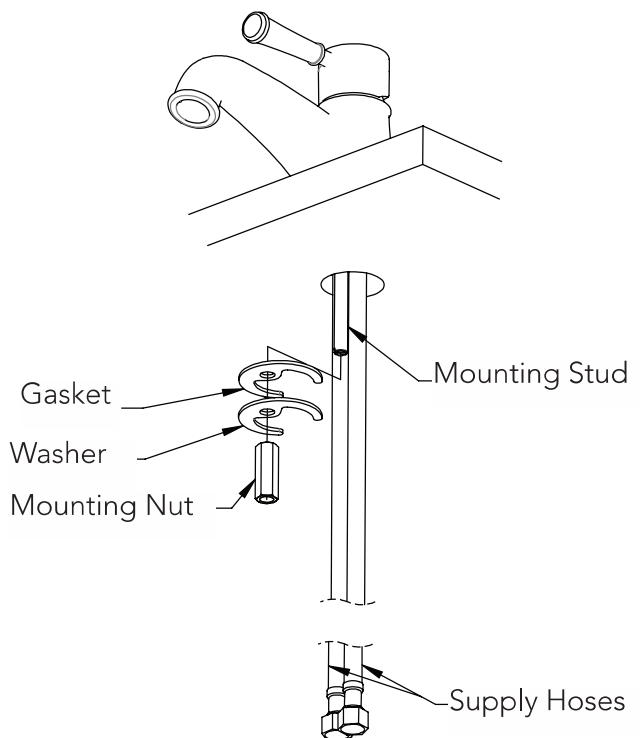
Pass the supply hoses and mounting stud through the mounting hole until the spout comes to rest.



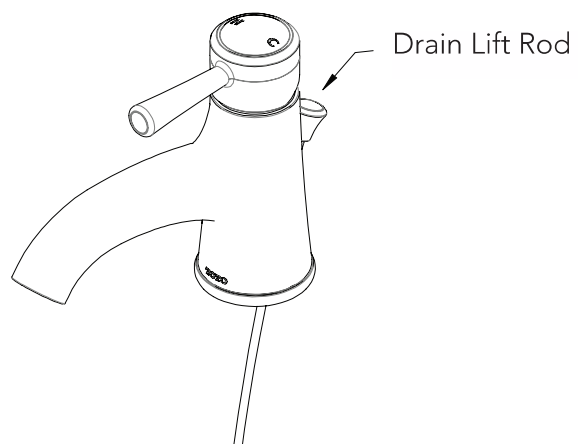
2. Orient the spout as needed. From below the mounting surface, place the crescent shaped gasket and washer over the mounting stud as shown.

Fasten the mounting nut to the stud to secure the spout. Tighten with wrench as needed.

Connect the hoses to the supply lines. The left hose (marked with red band) connects to the hot water supply. The right hose connects to the cold water supply. Tighten with wrench as needed.



3. Insert the drain lift rod through the opening in the back of spout.



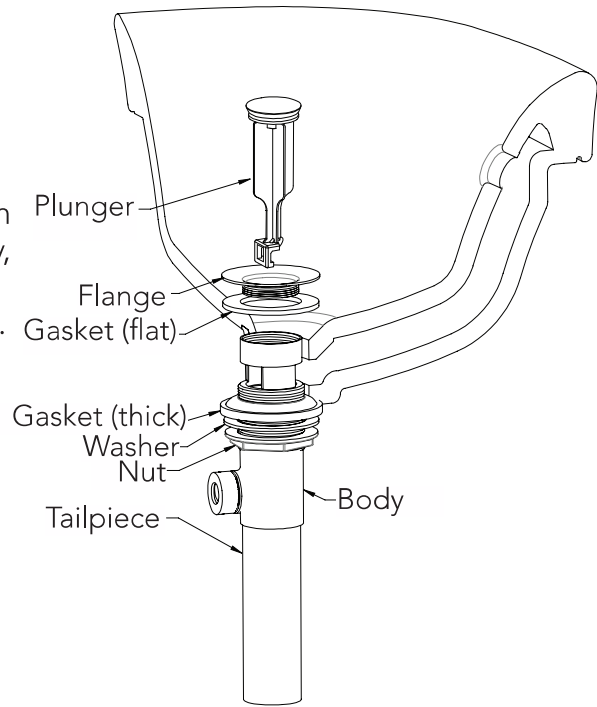
## INSTALLATION PROCEDURE - Drain

4. Remove the plunger, flange and gasket (flat) from the drain assembly by unfastening the flange and pulling these parts from the drain.

Insert the drain body up through the drain hole from below the lavatory. If necessary, turn the nut and push the washer and gasket (thick) down to allow for clearance.

While holding the drain body in place, fasten the flange to the drain body from the top. Ensure that the gasket (flat) is between the flange and the lavatory as shown. Once the flange is fully seated, turn the nut below the lavatory up until a good seal is formed. Do not overtighten!

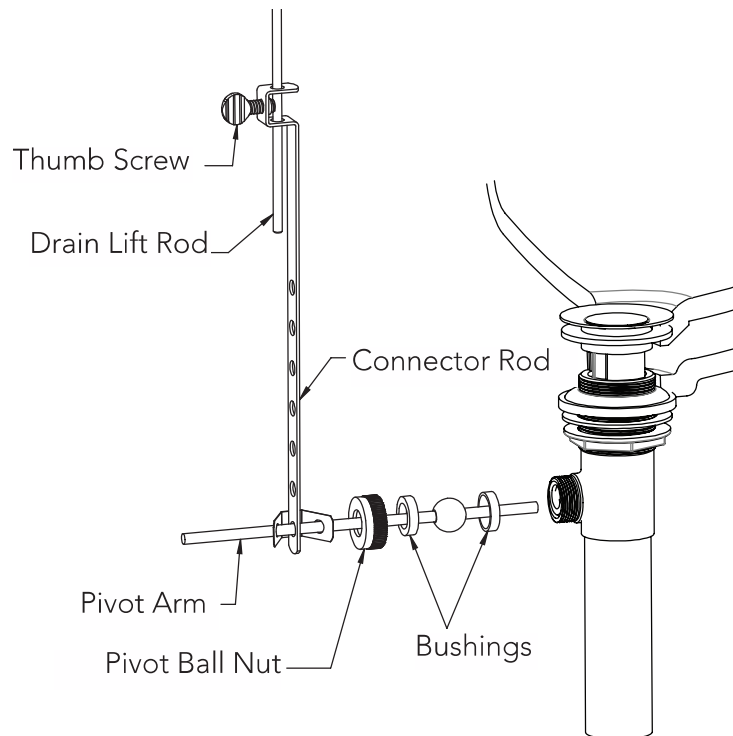
Reinsert the plunger if needed.



5. Prepare the pivot arm by placing one bushing on each side of the pivot ball as shown. Insert the short end of the rod into the drain body and through the eyelet hole in the plunger. Fasten the pivot ball nut to secure.

Insert the drain lift rod through the two (2) holes in the square end of the connector rod.

Slide the connector rod up the drain lift rod to a suitable location so that the pivot arm can pass through one of the mounting holes as shown.



Secure the connector rod to the pivot arm using the spring clamp. One end of the spring clamp will need to be on the pivot arm before the connector rod is assembled.

Tighten the thumb screw in the connector rod to secure it to the drain lift rod.

Conduct tests to ensure all the linkages are working properly and no leaking occurs. Adjust if needed.

## WARRANTY

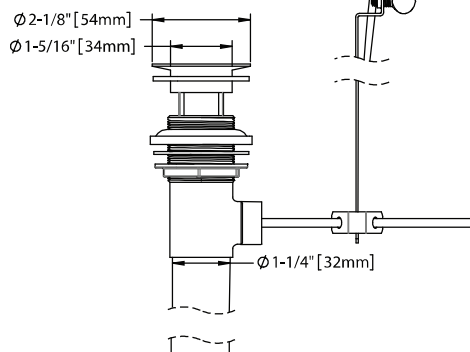
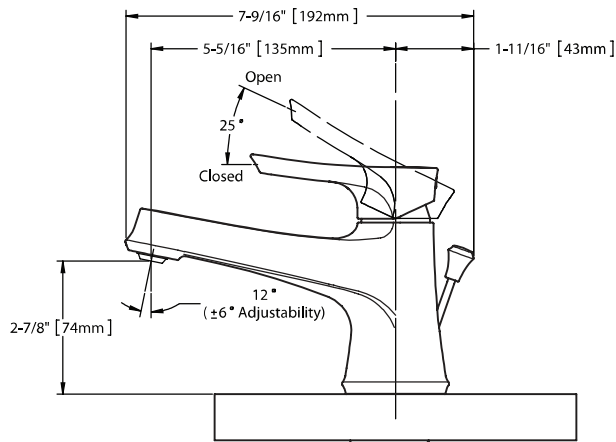
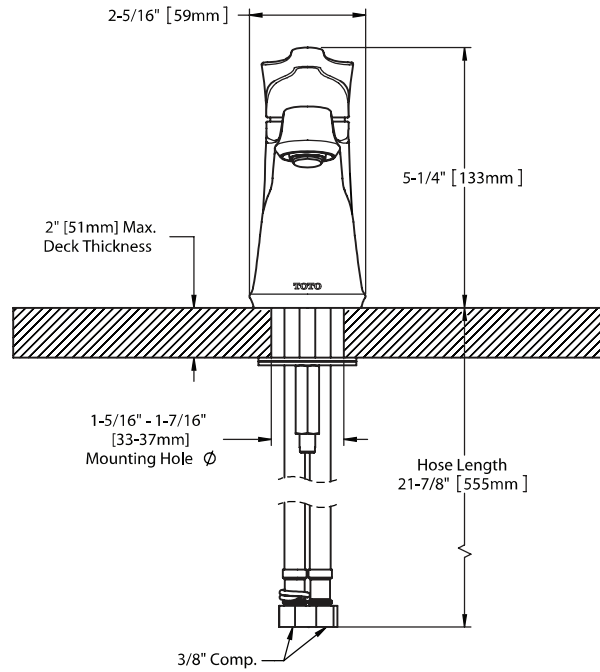
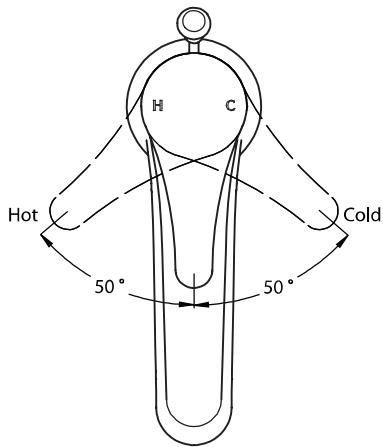
ENGLISH

1. TOTO® warrants its residential faucets and bathroom accessories ("Product") to be free from defects in materials and workmanship during normal use when properly installed and serviced, for the lifetime of the Product from date of purchase. This limited warranty is extended only to the ORIGINAL PURCHASER of the Product and is not transferable to any third party, including but not limited to any subsequent purchaser or owner of the Product. This warranty applies only to TOTO Product purchased and installed in North, Central and South America.
2. TOTO's obligations under this warranty are limited to repair, replacement or other appropriate adjustment, at TOTO's option, of the Product or parts found to be defective in normal use, provided that such Product was properly installed, used and serviced in accordance with instructions. TOTO reserves the right to make such inspections as may be necessary in order to determine the cause of the defect. TOTO will not charge for labor or parts in connection with warranty repairs or replacements. TOTO is not responsible for the cost of removal, return and/or reinstallation of the Product.
3. This warranty does not apply to the following items:
  - a. Damage or loss sustained in a natural calamity such as fire, earthquake, flood, thunder, electrical storm, etc.
  - b. Damage or loss resulting from any accident, unreasonable use, misuse, abuse, negligence, or improper care, cleaning, or maintenance of the Product.
  - c. Damage or loss resulting from sediments or foreign matter contained in a water system.
  - d. Damage or loss resulting from improper installation or from installation of the Product in a harsh and/or hazardous environment, or improper removal, repair or modification of the Product.
  - e. Damage or loss resulting from electrical surges or lightning strikes or other acts which are not the fault of TOTO or which the Product is not specified to tolerate.
  - f. Damage or loss resulting from normal and customary wear and tear, such as gloss reduction, scratching or fading over time due to use, cleaning practices or water or atmospheric conditions, including but not limited to, the use of bleach, alkali, acid cleaners, dry (powder) cleaners or any other abrasive cleaners or the use of metal or nylon scrubbers.
4. In order for this limited warranty to be valid, proof of purchase is required. TOTO encourages warranty registration upon purchase to create a record of Product ownership at <http://www.totousa.com>. Product registration is completely voluntary and failure to register will not diminish your limited warranty rights.
5. If the Product is used commercially or is installed outside of North, Central or South America, TOTO warrants the Product to be free from defects in materials and workmanship during normal use for one (1) year from the date of installation of the Product, and all other terms of this warranty shall be applicable except the duration of the warranty.
6. THIS WARRANTY GIVES YOU SPECIFIC LEGAL RIGHTS. YOU MAY HAVE OTHER RIGHTS WHICH VARY FROM STATE TO STATE, PROVINCE TO PROVINCE OR COUNTRY TO COUNTRY.
7. To obtain warranty repair service under this warranty, you must take the Product or deliver it prepaid to a TOTO service facility together with proof of purchase (original sales receipt) and a letter stating the problem, or contact a TOTO distributor or products service contractor, or write directly to TOTO U.S.A., INC., 1155 Southern Road, Morrow, GA 30260 (888) 295 8134 or (678) 466-1300, if outside the U.S.A. If, because of the size of the Product or nature of the defect, the Product cannot be returned to TOTO, receipt by TOTO of written notice of the defect together with proof of purchase (original sales receipt) shall constitute delivery. In such case, TOTO may choose to repair the Product at the purchaser's location or pay to transport the Product to a service facility.

THIS WRITTEN WARRANTY IS THE ONLY WARRANTY MADE BY TOTO. REPAIR, REPLACEMENT OR OTHER APPROPRIATE ADJUSTMENT AS PROVIDED UNDER THIS WARRANTY SHALL BE THE EXCLUSIVE REMEDY AVAILABLE TO THE ORIGINAL PURCHASER. TOTO SHALL NOT BE RESPONSIBLE FOR LOSS OF THE PRODUCT OR FOR OTHER INCIDENTAL, SPECIAL OR CONSEQUENTIAL DAMAGES OR EXPENSES INCURRED BY THE ORIGINAL PURCHASER, OR FOR LABOR OR OTHER COSTS DUE TO INSTALLATION OR REMOVAL, OR COSTS OF REPAIRS BY OTHERS, OR FOR ANY OTHER EXPENSE NOT SPECIFICALLY STATED ABOVE. IN NO EVENT WILL TOTO'S RESPONSIBILITY EXCEED THE PURCHASE PRICE OF THE PRODUCT. EXCEPT TO THE EXTENT PROHIBITED BY APPLICABLE LAW, ANY IMPLIED WARRANTIES, INCLUDING THAT OF MERCHANTABILITY OR FITNESS FOR USE OR FOR A PARTICULAR PURPOSE, ARE EXPRESSLY DISCLAIMED. SOME STATES DO NOT ALLOW LIMITATIONS ON HOW LONG AN IMPLIED WARRANTY LASTS, OR THE EXCLUSION OR LIMITATION OF INCIDENTAL OR CONSEQUENTIAL DAMAGES, SO THE ABOVE LIMITATION AND EXCLUSION MAY NOT APPLY TO YOU.

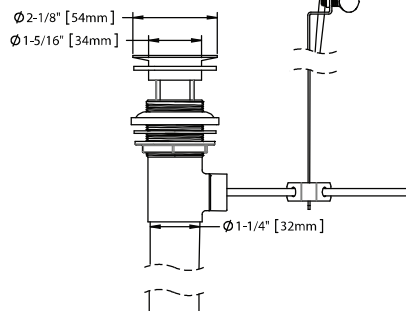
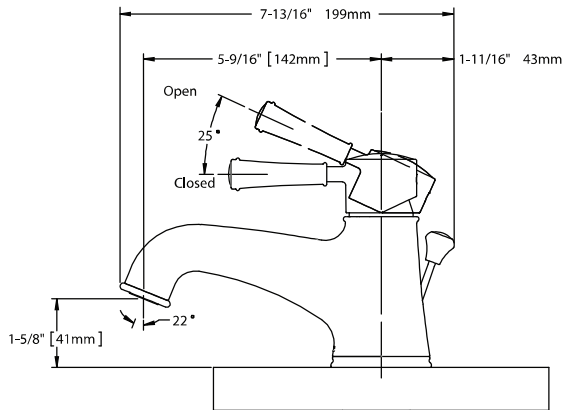
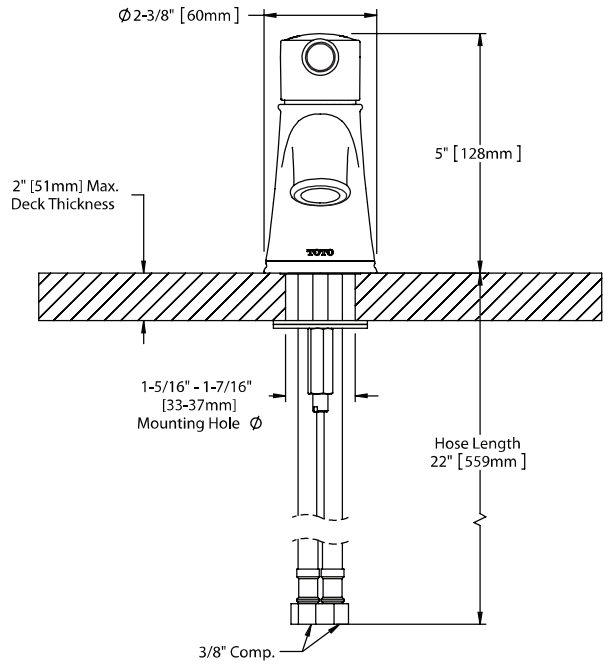
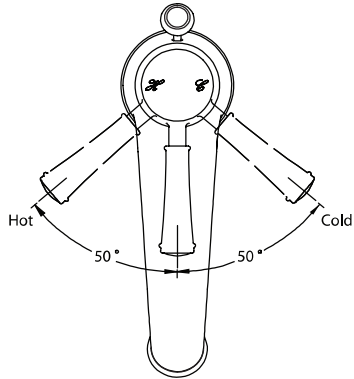
# ROUGH-IN DIMENSIONS / DIMENSIONES PRELIMINARES / DIMENSIONS BRUTES

## TL230SD



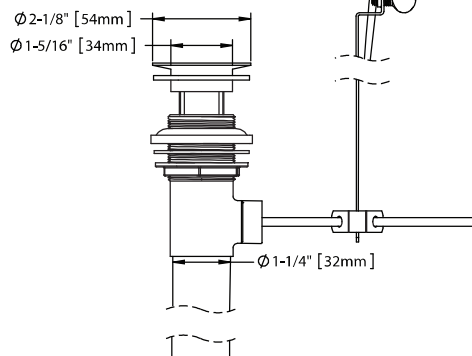
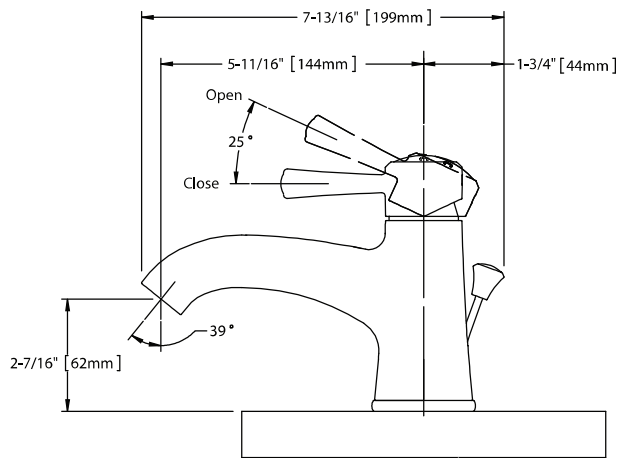
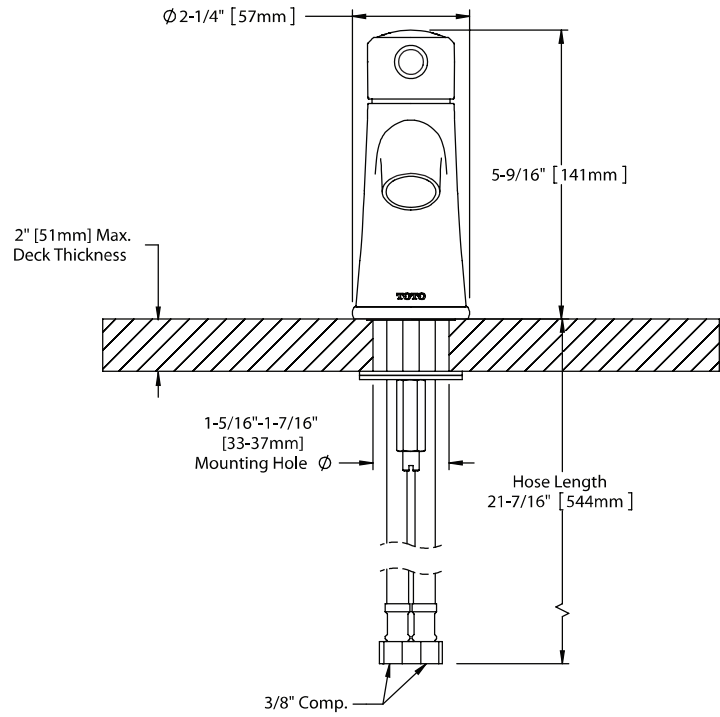
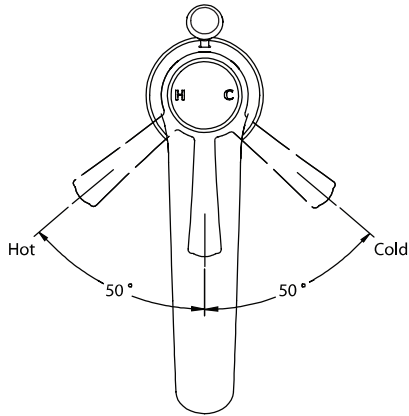
# ROUGH-IN DIMENSIONS / DIMENSIONES PRELIMINARES / DIMENSIONS BRUTES

## TL220SD



# ROUGH-IN DIMENSIONS / DIMENSIONES PRELIMINARES / DIMENSIONES BRUTES

## TL210SD



# TOTO®

TOTO® U.S.A., Inc. 1155 Southern Road,  
Morrow, Georgia 30260  
Tel: 888-295-8134 Fax: 800-699-4889  
[www.totousa.com](http://www.totousa.com)

0GU4209

Rev F



#### Warranty Registration and Inquiry

For product warranty registration, TOTO U.S.A. Inc. recommends online warranty registration. Please visit our web site <http://www.totousa.com>. If you have questions regarding warranty policy or coverage, please contact TOTO U.S.A. Inc., Customer Service Department, 1155 Southern Road, Morrow, GA 30260 (888) 295-8134 or (678) 466-1300 when calling from outside of U.S.A.