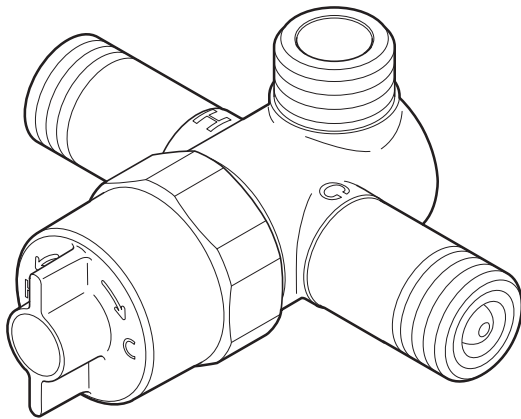


Thermostatic Mixing Valve for Lavatory Faucet
Válvula mezcladora termostática para grifo de lavatorio
Vanne de mélange pour robinet de lavabo
Válvula misturadora termostática para torneira de lavatório



TLE05701U

Warranty Registration and Inquiry

For product warranty registration, TOTO U.S.A. Inc. recommends online warranty registration. Please visit our web site <http://www.totousa.com>. If you have questions regarding warranty policy or coverage, please contact TOTO U.S.A. Inc., Customer Service Department, 1155 Southern Road, Morrow, GA 30260 (888) 295-8134 or (678) 466-1300 when calling from outside of U.S.A.

TABLE OF CONTENTS

THANKS FOR CHOOSING TOTO! 2

WARNINGS 2

INCLUDED PARTS 3

TOOLS YOU WILL NEED 3

BEFORE INSTALLATION 3

CARE & CLEANING 3

INSTALLATION PROCEDURE 4

ADJUSTING MAXIMUM OUTLET TEMPERATURE 5

ADJUSTING OUTLET TEMPERATRURE 5

ACCESSING ANG CLEANING THE VALVE 5

SPECIFICATIONS 6

TROUBLESHOOTING 6

WARRANTY 7

ROUGH-IN DIMENSIONS 26

FLOW CHART 26

THANKS FOR CHOOSING TOTO!

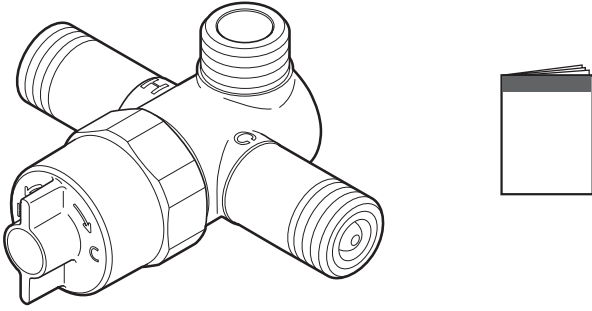
The mission of TOTO is to provide the world with healthy, hygienic and more comfortable lifestyles. We design every product with the balance of form and function as a guiding principle. Congratulations on your choice.

WARNINGS

- Please read and adhere to the following notes.
 Failure to do so could result in personal injury and/or property damage.
- This valve requires the maximum outlet temperature to be set/adjusted by the installer. The maximum outlet water temperature should never exceed 120 °F (49 °C).
 - Please do not use this valve if there is a large difference in the pressure between the hot and cold water supplies.
 - Do not use this valve at an ambient temperature below 32 °F (0 °C).
 - Do not reverse the hot and cold water inlets.
 - Insulate the hot water supply pipe to minimize heat loss.
 - Do not use steam for the hot water supply.
 - Do not disassemble the thermostatic cartridge.
 - Do not use this product in a humid location where running water or condensation may collect on the surface, especially in a sauna or steam room.
 - Always close the stop valve(s) before cleaning the strainer.
 - Periodically check the piping for leaks.
 - If the room temperature drops to freezing, wrap the pipes with insulation.

INCLUDED PARTS

Check to make sure you have all these parts from the package*:
(Appearance of some components may vary depending on the model)

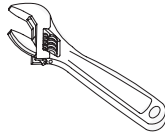


ENGLISH

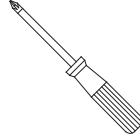
TOOLS YOU WILL NEED



Thermometer



Adjustable Wrench



Screwdriver (Phillips)

BEFORE INSTALLATION

- Observe all local plumbing codes.
- Flush all piping thoroughly before installing the valve.
- Make sure the water supply is shut off.
- Read these instructions carefully to ensure proper installation.
- TOTO reserves the right to update product design without notice.

CARE & CLEANING

Your new valve is designed for years of trouble-free performance. Keep it looking new by cleaning it periodically with mild soap, rinsing thoroughly with warm water and drying with a clean, soft cloth. Do not use abrasive cleaners, steel wool or harsh chemicals, as these will dull the finish. Failure to follow these instructions may void your warranty.

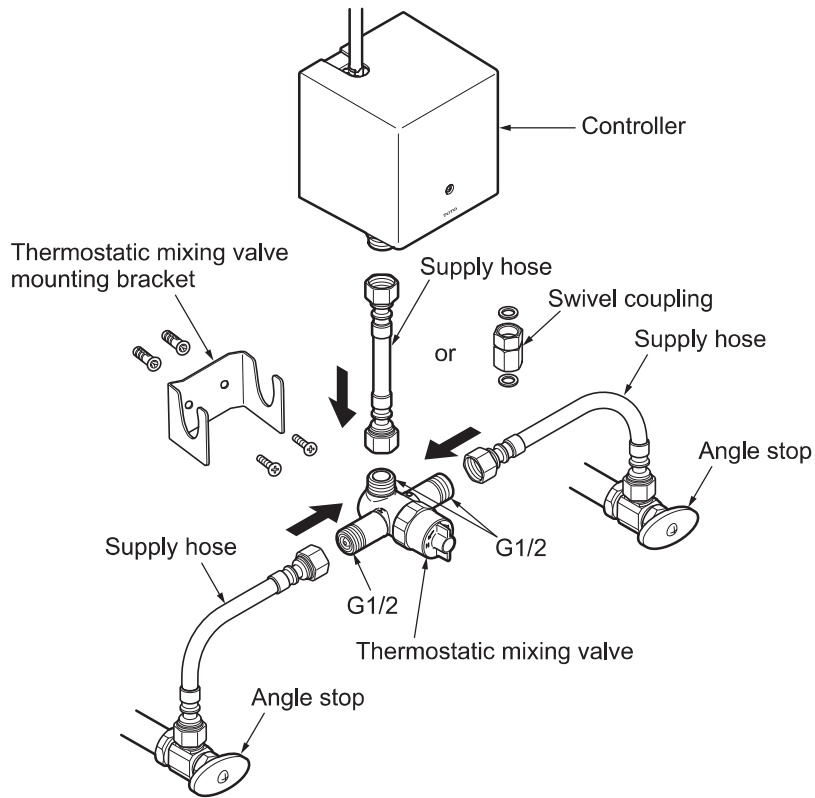
INSTALLATION PROCEDURE

CAUTION: RISK OF PERSONAL INJURY.

This valve requires the maximum outlet temperature to be set/adjusted by the installer.

The maximum outlet water temperature should never exceed 120 °F (49 °C).

1. Turn off the main water supply.
2. Connect the hot water supply to the inlet marked "H" and the cold water supply to the inlet marked "C".



G1/2 compatible with 1/2 NPSM
ONLY THERMOSTATIC MIXING VALVE INCLUDED

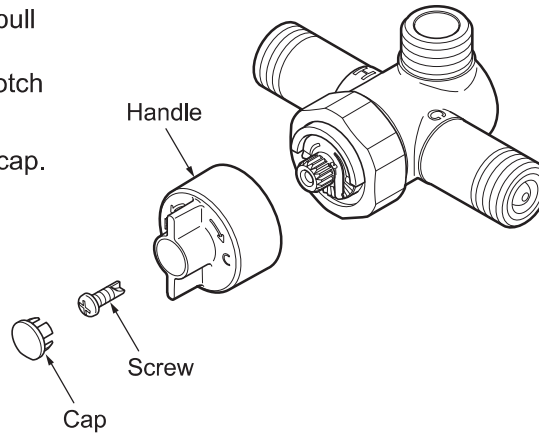
ADJUSTING MAXIMUM OUTLET TEMPERATURE

1. Shut the water off at the stop valves.
2. To decrease temperature:
Remove cap and screw and pull handle slowly to remove.
Turn handle counter-clockwise one notch and reinstall onto cartridge.

To increase temperature:
Remove cap and screw and pull handle slowly to remove.
Turn handle clockwise one notch and reinstall onto cartridge.

3. Secure handle with screw and cap.
4. Open shut off valve.
5. Check water temperature.

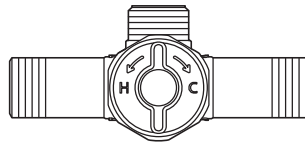
**Repeat steps 1-5 if necessary



ENGLISH

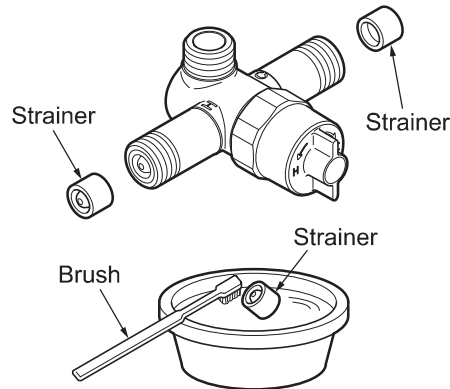
ADJUSTING OUTLET TEMPERATURE

1. To decrease temperature:
Turn handle clockwise.
2. To increase temperature:
Turn handle counter-clockwise.



ACCESSING AND CLEANING THE VALVE

1. Shut the water off at the stop valves.
2. Disconnect supply hoses.
3. Pull out the strainer and clean it with a brush.
4. Reinstall the clean strainer and connect water supply hoses.
5. Open the stop valves.



SPECIFICATIONS		
Water Supply Pressure	Minimum required water pressure: 15 psi (100 kPa) (Flowing)	
	Maximum water pressure: 80 psi (551 kPa)	
Water Supply Connection	G1/2 compatible with 1/2 NPSM	
Ambient Temperature	32-104 °F (0-40 °C)	
Humidity	Max. 90% RH	
Recommended temperature range (hot supply)	120-180 °F (49-82 °C)	
Recommended temperature range (cold supply)	39-80 °F (4-27 °C)	
Temperature Adjustment Range at outlet	Ambient temperature ~ 120 °F (49 °C) (Factory setting 97±4 °F (36±2 °C) @30 psi (206 kPa), Cold ambient temperature, Hot 176°F (80 °C))	
Minimum Flow	0.35 gpm (1.3 L/min)	
TROUBLESHOOTING		
Problem	Cause	Solution
Water won't begin running	The stop valve is turned off.	Turn on the valve.
	Water supply is suspended.	Wait until the water supply is restored.
	The strainer or the regulating screen is clogged.	Clean the strainer and the regulating screen.
Low flow rate	The stop valve is not fully opened.	Open the stop valve fully.
	The strainer or the regulating screen is clogged.	Clean the strainer and the regulating screen.
Water temperature is too high	The temperature control handle is set at "H".	Set the temperature control handle to the middle point.
	The stop valve connected to the cold-water supply is not fully opened.	Open the cold-water stop valve fully.
Water temperature is too low	The temperature control handle is set at "C".	Set the temperature control handle to the middle point.
	The stop valve connected to the hot water supply is not fully opened.	Open the hot water stop valve fully.
	The hot water supply temperature is lower than 120 °F.	Set the hot water supply temperature to 120 °F.
Water temperature is not controlled properly	One side of the stop valve is not fully opened.	Open the stop valve fully.
	The strainer or the regulating screen is clogged.	Clean the strainer and the regulating screen.