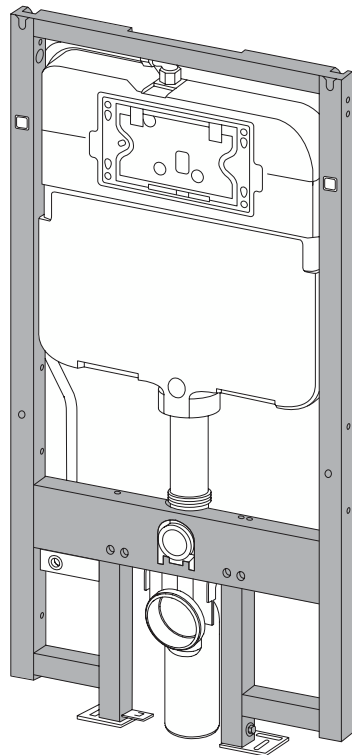


## DuoFit In Wall Tank System

Sistema de tanque empotrado DuoFit

Système de réservoir mural DuoFit

Sistema de depósito de parede DuoFit



**WT171M**  
**WT172M**

### Warranty Registration and Inquiry

For product warranty registration, TOTO U.S.A. Inc. recommends online warranty registration. Please visit our web site <http://www.totousa.com>. If you have questions regarding warranty policy or coverage, please contact TOTO U.S.A. Inc., Customer Service Department, 1155 Southern Road, Morrow, GA 30260 (888) 295-8134 or (678) 466-1300 when calling from outside of U.S.A.

## TABLE OF CONTENTS

Thanks for Choosing TOTO!.....	2
Common Tools Needed.....	2
Included Parts.....	2
Before Installation.....	3-4
Installation Procedure.....	5-8
Servicing Procedures.....	9-10
Warranty.....	11

## THANKS FOR CHOOSING TOTO!

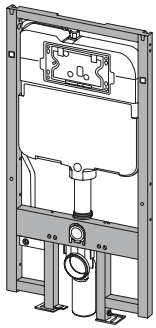
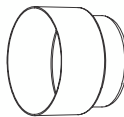
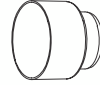
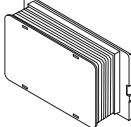
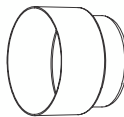
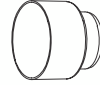
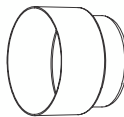
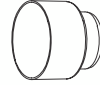
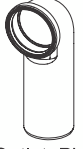





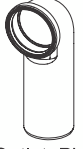







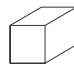






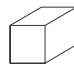




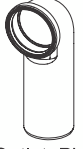







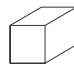




The mission of TOTO is to provide the world with healthy, hygienic and more comfortable lifestyles. We design every product with the balance of form and function as a guiding principle. Congratulations on your choice.

## COMMON TOOLS NEEDED

- |                        |   |
|------------------------|---|
| • Hacksaw              | • 3-1/2" (89mm) Hole Saw                |
| • Flat File            | • 7/16" (11mm) Open or Boxed-end Wrench |
| • Drill                | • Tape Measure                          |
| • 1/8" (3mm) Drill Bit | • Carpenter's Level                     |

## INCLUDED PARTS

Check to make sure you have all these parts from the package:

 <p style="text-align: center;">In Wall Tank (Carrier)</p>	<p style="text-align: center;"><u>Parts in Bag</u></p> <table border="0" style="width: 100%;"> <tr> <td style="text-align: center;"> Outlet Pipe Mud Guard</td> <td style="text-align: center;"> Inlet Pipe Mud Guard</td> </tr> </table> <hr/> <div style="text-align: center;">  <p>Push Plate Rough In</p> </div>	 Outlet Pipe Mud Guard	 Inlet Pipe Mud Guard													
 Outlet Pipe Mud Guard	 Inlet Pipe Mud Guard															
<p style="text-align: center;"><u>Parts in Bag 1</u></p> <table border="0" style="width: 100%;"> <tr> <td style="text-align: center;"> Outlet Pipe</td> <td style="text-align: center;"> Upper bracket</td> <td style="text-align: center;"> Lag Screw (8)</td> </tr> <tr> <td style="text-align: center;"> Threaded Mounting Stud (2)</td> <td style="text-align: center;"> Lower Bracket</td> <td style="text-align: center;"> Anchor (2)</td> </tr> </table>	 Outlet Pipe	 Upper bracket	 Lag Screw (8)	 Threaded Mounting Stud (2)	 Lower Bracket	 Anchor (2)	<p style="text-align: center;"><u>Parts in Bag 2</u></p> <table border="0" style="width: 100%;"> <tr> <td style="text-align: center;"> Flange Pipe</td> <td style="text-align: center;"> Inlet Pipe</td> <td style="text-align: center;"> Lubricated sponge</td> </tr> <tr> <td style="text-align: center;"> Nut (2)</td> <td style="text-align: center;"> Cap (2)</td> <td style="text-align: center;"> Washer (2)</td> </tr> <tr> <td colspan="3" style="text-align: center;"> Stud bolt Flange (2)</td> </tr> </table>	 Flange Pipe	 Inlet Pipe	 Lubricated sponge	 Nut (2)	 Cap (2)	 Washer (2)	 Stud bolt Flange (2)		
 Outlet Pipe	 Upper bracket	 Lag Screw (8)														
 Threaded Mounting Stud (2)	 Lower Bracket	 Anchor (2)														
 Flange Pipe	 Inlet Pipe	 Lubricated sponge														
 Nut (2)	 Cap (2)	 Washer (2)														
 Stud bolt Flange (2)																