

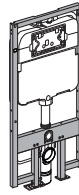
DuoFit In Wall Tank System

Système de réservoir mural DuoFit

Sistema de tanque empotrado DuoFit

Sistema de depósito de parede DuoFit

WT173M



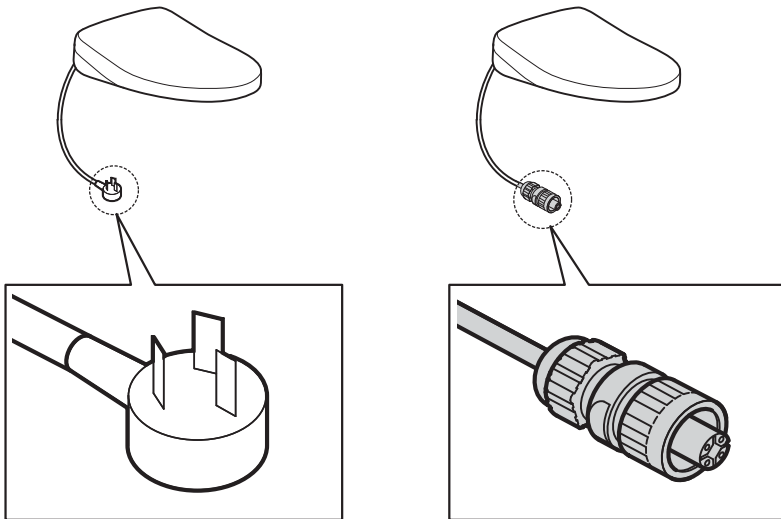
**Important Notice for Installers/  
Remarque importante pour les installateurs/  
Aviso importante para los instaladores/  
Aviso importante para instaladores**

The positions of the holes to drill in the wall vary depending on WASHLET being installed.  
Please check page 8 for details. /

Les positions des trous à percer dans le mur varient en fonction du BIDET qui est installé.  
Veuillez vérifier la page 22 pour obtenir plus de détails. /

Las ubicaciones de los orificios que se harán en la pared varían según el WASHLET que se instale.  
Para obtener detalles, consulte la página 36. /

As posições dos orifícios a perfurar na parede variam, dependendo do WASHLET sendo instalado.  
Verifique a página 50 para mais informações.



## TABLE OF CONTENTS

Thanks for Choosing TOTO!.....	2
Common Tools Needed.....	2
Included Parts.....	2
Before Installation.....	3-4
Installation Procedure.....	5-13
Servicing Procedures.....	14-15
Warranty.....	16

## THANKS FOR CHOOSING TOTO!

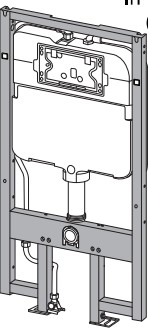
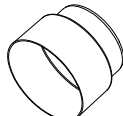
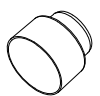
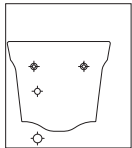
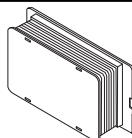
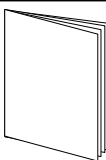








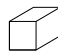




The mission of TOTO is to provide the world with healthy, hygienic and more comfortable lifestyles. We design every product with the balance of form and function as a guiding principle. Congratulations on your choice.

## COMMON TOOLS NEEDED

- Hacksaw
- Flat File
- Drill
- 1/8" (3mm) Drill Bit
- 3-1/2" (89mm) Hole Saw
- 7/16" (11mm) Open or Boxed-end Wrench
- Tape Measure
- Carpenter's Level

## INCLUDED PARTS

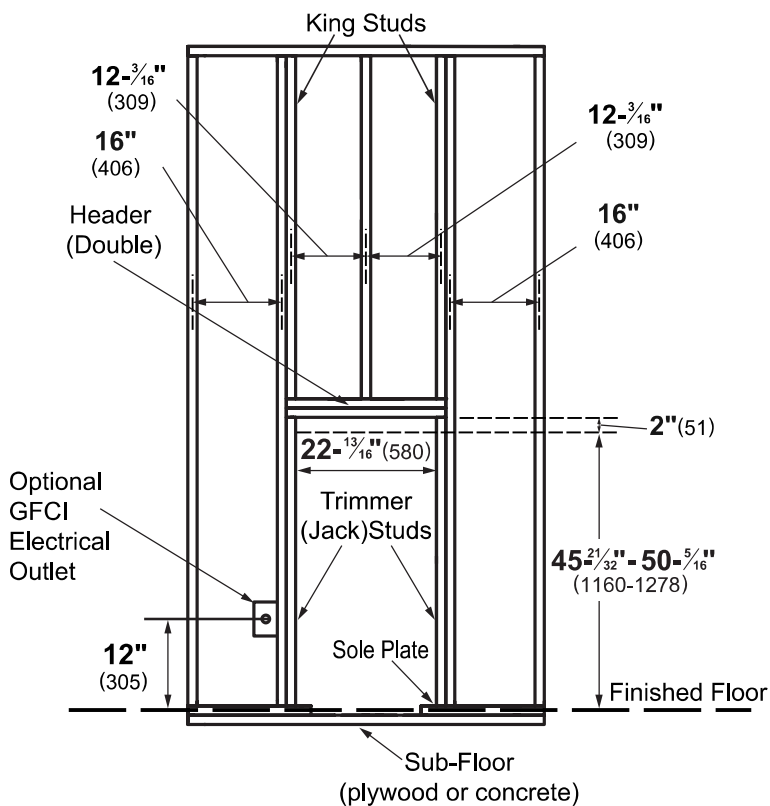
Check to make sure you have all these parts from the package:

 <p>In Wall Tank (Carrier)</p>	<p><u>Parts in Bag</u></p>  <p>Outlet Pipe Mud Guard</p>  <p>Inlet Pipe Mud Guard</p>		 <p>Installation Template</p>		
 <p>Push Plate Rough In</p>		 <p>Installation Manual</p>			
<p><u>Parts in Bag 1</u></p>  <p>Outlet Pipe</p>  <p>Upper bracket</p>  <p>Lag Screw (8)</p>  <p>Threaded Mounting Stud (2)</p>  <p>Lower Bracket</p>  <p>Anchor (2)</p>			<p><u>Parts in Bag 2</u></p>  <p>Flange Pipe</p>  <p>Inlet Pipe</p>  <p>Lubricated sponge</p>  <p>Nut (2)</p>  <p>Washer (2)</p>  <p>Stud bolt Flange (2)</p>  <p>Cap (2)</p>		

## BEFORE INSTALLATION

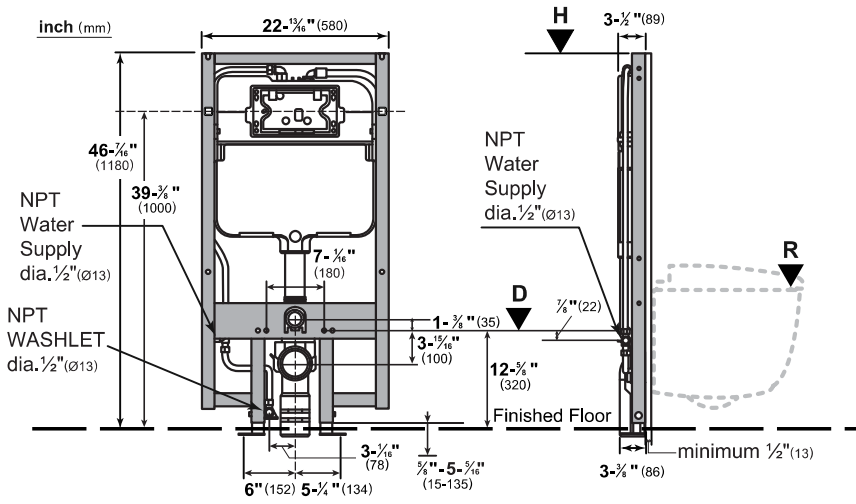
- Read these instructions thoroughly before beginning work.
- Please leave these instructions with the customer. They contain important maintenance and warranty information.
- If necessary, remove the existing toilet.
- **CAUTION!** Be sure to properly bleed all air from the piping system prior to using any TOTO products. Trapped/compressed air can cause damage to the flushing system and toilet bowl.
- Do not loosen or tamper with the copper fittings or joint connections.
- Framing support should be capable of supporting 880 lb load without damage to the wall. When metal framing studs are used, rigid, non-flexing bracing supports should be added to create a rigidity of the base. This will serve to minimize any flexing observed in the finished wall from sitting to standing and avoid cracks in the wall.

Prepare the support for the carrier as shown. Consult with a building contractor and/or local codes for any additional requirements. Add a double wall studs (king and jack) and double header per the shown dimensions. Confirm that the opening is square.



ENGLISH

**BEFORE INSTALLATION**



**Table 1:** Dimensions measured from Finished Floor


inch			mm		
Toilet Rim Height (R)	System Height (H)	Threaded Mounting Stud Height (D)	Toilet Rim Height (R)	System Height (H)	Threaded Mounting Stud Height (D)
15-11/32"	45-21/32"	11-13/16"	390	1160	300
16"	46-5/16"	12-15/32"	406	1176	316
17"	47-5/16"	13-15/32"	432	1202	342
18"	48-5/16"	14-15/32"	457	1227	367
19"	49-5/16"	15-15/32"	483	1253	393
20"	50-5/16"	16-15/32"	508	1278	418


# INSTALLATION PROCEDURE


## Installation procedure

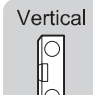
### Symbols and their meanings

 : Visual confirmation required.

**Horizontal**  
 : Horizontal confirmation required.

**Seal**  
 : Attach sealing tape

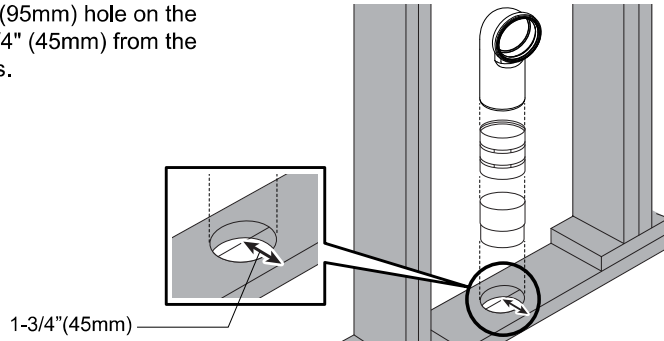
**Mark**  
 : Mark the location.

**Vertical**  
 : Vertical confirmation required.

ENGLISH

### 1. Install the discharge pipe

Drill a 3-3/4" (95mm) hole on the subfloor 1-3/4" (45mm) from the front of studs.

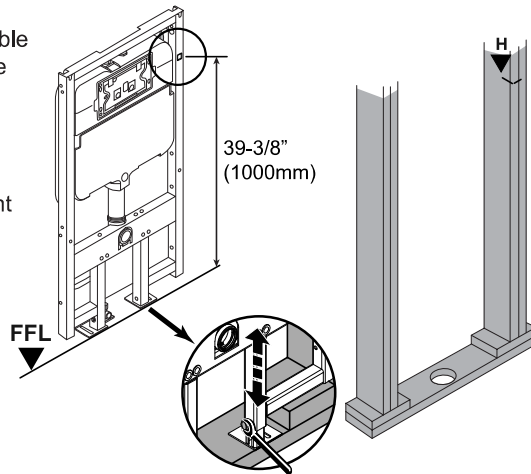


### 2. Adjust the tank legs

Loosen the bolts on the adjustable legs and adjust the carrier to the desired height with reference to the Finished Floor (see Table 1 for guide).

Place the carrier so that the front of the carrier frame is flush with the front of the supporting wall frame.

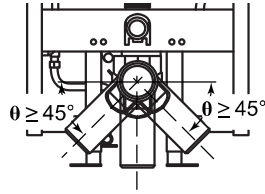
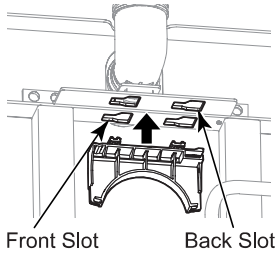
Tighten the two bolts on the legs to secure the height of the carrier.



### 3. Install the upper bracket

For vertical drain installation, clip the upper bracket to the front slot of the frame as shown.

For left or right drain installation, clip the upper bracket to the back slot of the frame as shown.

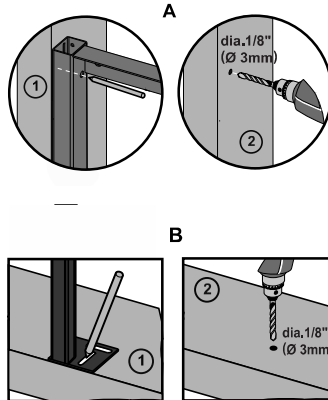
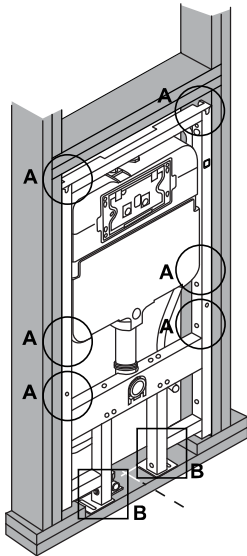


### 4. Drill pilot holes in the wood frame

Mark the location for drilling pilot holes for the screws to secure the carrier to the wood frame.

There are six (6) screws for the side (3 on each side) and two on the feet. Make sure the carrier is flush with the wood frame before placing the markings.

Remove the carrier from the wood frame, drill six (6) 1/8"(3mm) holes on the wall stud (Trimmer/Jack) and two (2) on the subfloor (plywood); for concrete, drill 3/8" (10mm) holes for anchors.



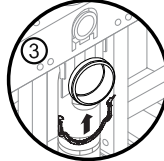
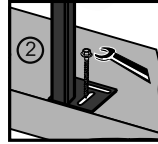
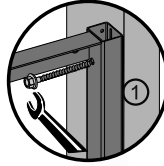
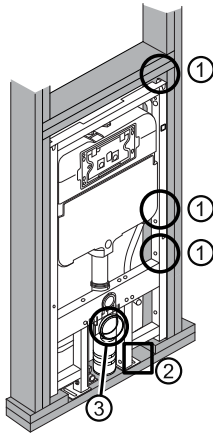
## 5. Set the tank to the wood frame

Use the lower bracket to lock the outlet pipe to the Carrier.  
Place the carrier into the wood frame, make sure the carrier is horizontally leveled and flush when placed in the front face of the stud frame.  
Use the screws provided for securing the System. Install the outlet pipe to the sewer pipe.

Horizontal



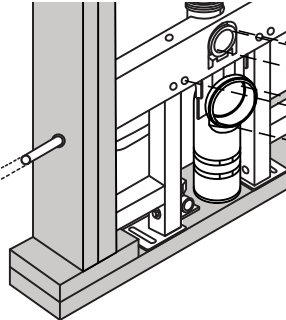
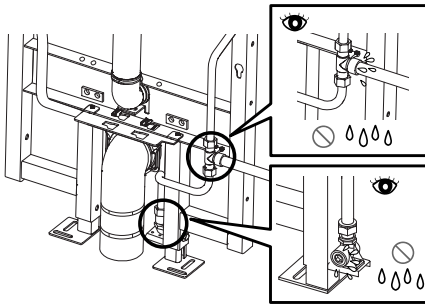
Vertical



ENGLISH

## 6. Plumb the water supply line and check for leak.

Seal



### ⚠ CAUTION

This indicates that misoperation could result in injury or physical damage.

⚠  
Required

**It is important to reconfirm that there is no water leakage at all connections.**

Do not loosen or tamper with the copper fittings or joint connections.

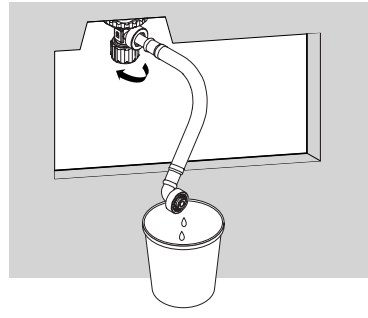
Incomplete connection could cause foul odor or water to leak.

The ⚠ symbol indicates something that must be done.

### 7. Confirm water supply

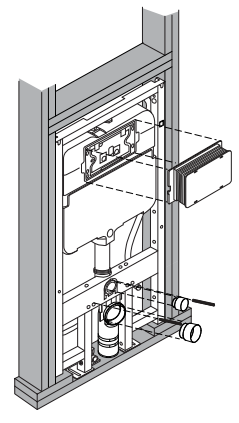
Before connecting the flexible hose to the fill valve, open shutoff valve to let water run for a minute or two.

After that, shut off the valve and the main supply valve.



### 8. Attach the mud guard, push plate rough-in, and mounting studs

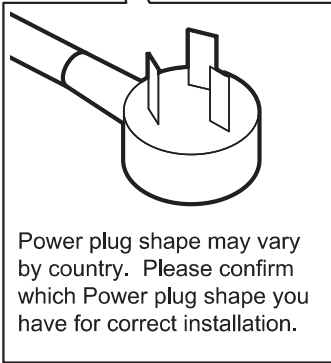
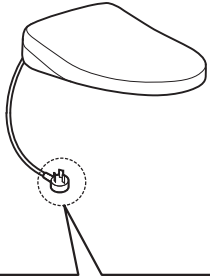
Insert the mud guard for the inlet and outlet, the push plate rough-in for the push plate and the two (2) Threaded Mounting Stud for the mounting bowl on the inner holes.



## 9. Cutting Out the Wall Location



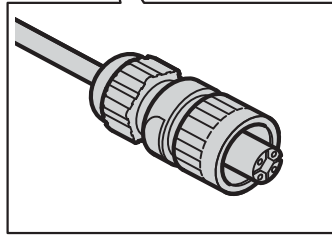
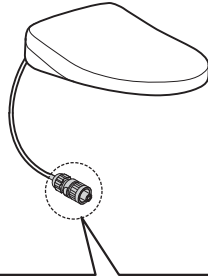
The positions of the holes to drill in the wall vary depending on WASHLET being installed.



Power plug shape may vary by country. Please confirm which Power plug shape you have for correct installation.

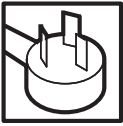


For WASHLET with an attached outlet plug, proceed to page 9.



For WASHLET with the above plug attached, proceed to page 10.

ENGLISH



### 9. Cutting Out the Wall Location

Recommended minimum 1/2" (13mm) drywall installation.  
Refer to the dimensions to locate the cuts on the wall.

Cut a 4-1/2" (114mm) diameter hole for the outlet drain.

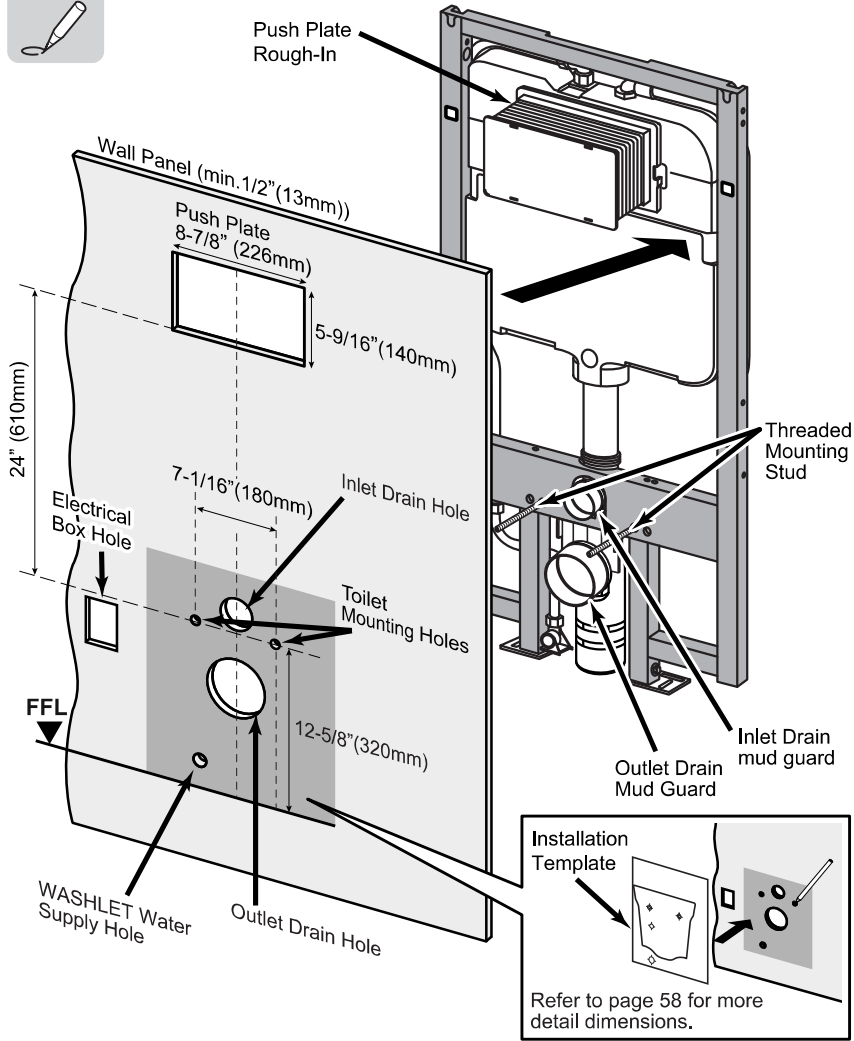
Cut a 2-1/2" (64mm) diameter hole for the water inlet.

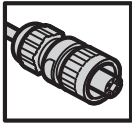
Cut two 3/4" (19mm) diameter holes for the threaded mounting stud.

Cut a 8-7/8" (226mm) x 5-9/16" (140mm) hole for the push plate.



Dimensions are based on toilet rim height 16-1/8" (410mm)





### 9. Cutting Out the Wall Location

Recommended minimum 1/2" (13mm) drywall installation.  
Refer to the dimensions to locate the cuts on the wall.

Cut a 4-1/2" (114mm) diameter hole for the outlet drain.

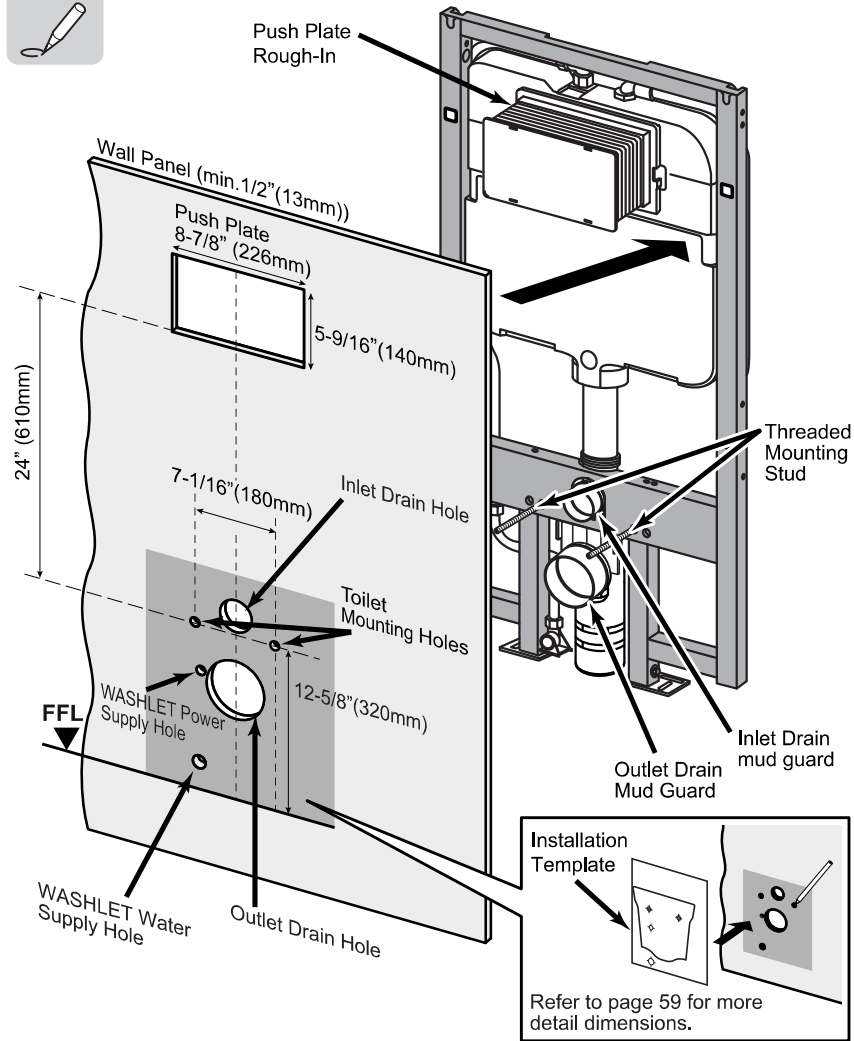
Cut a 2-1/2" (64mm) diameter hole for the water inlet.

Cut two 3/4" (19mm) diameter holes for the threaded mounting stud.

Cut a 8-7/8" (226mm) x 5-9/16" (140mm) hole for the push plate.



**Dimensions are based on toilet rim height 16-1/8" (410mm)**



## Installing the water supply pipe for WASHLET

### IMPORTANT NOTICE

Install the specialized shutoff valve for WASHLET.  
Follow the instructions in the shutoff valve's Installation Guide when installing it.

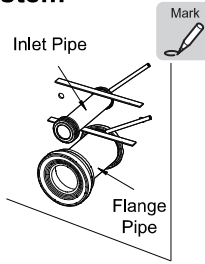
ENGLISH

## Installing Toilet on the In-Wall Tank System

1) Apply lubricant using the supplied sponge on the inlet and outlet drain to facilitate installation. Insert the inlet pipe into the tank drain outlet until it stops.

Place the edge of a ruler against the finished wall and on top of the inlet pipe. Mark the location as shown and remove the inlet pipe.

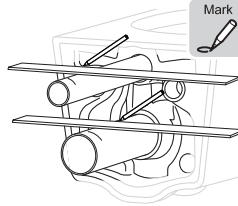
Repeat this process with the flange pipe.



2) Insert the inlet pipe end with the gasket into the back of the toilet bowl.

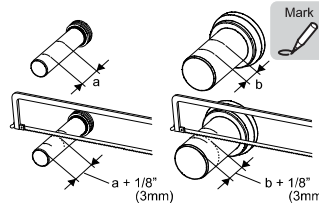
Place the edge of a ruler against the whole width of the back of the toilet and on top of the inlet pipe. Mark the location as shown and remove the inlet pipe.

Repeat this process with the flange pipe.



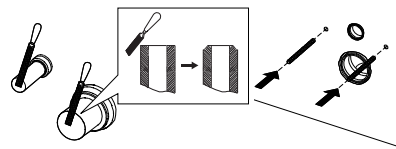
3) As shown in the figure, measure the distance between two lines "a" and "b". From that dimension, mark the cutting line by measuring from the edge opposite from the gasket and saw off the excess.

Repeat this process for the flange pipe.

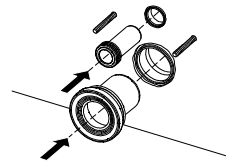


4) Bevel the cutting edges as shown.

Screw the threaded mounting studs onto the tank and leave 2-1/8" (54mm) exposed.



5) Insert the inlet pipe and the flange pipe into the appropriate drain holes.



6) Toilet bowl type



Proceed to step 7.



Install according to the Installation Guide enclosed with the toilet bowl.

7) The parts on the right are used for installing toilet bowl. Please see the installation manual of toilet bowl.



Nut (2)



Washer (2)



Stud bolt Flange (2)



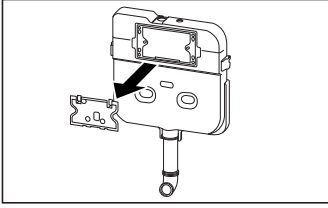
Cap (2)

ENGLISH

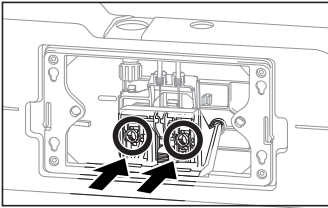
## SERVICING PROCEDURES

### Servicing and / or Replacing the Flush Valve, Replacing the Auto Flush Unit

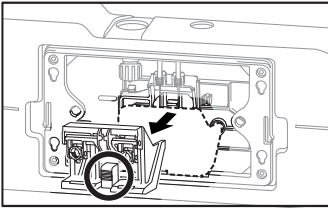
1) Remove the splash guard and pull it out.



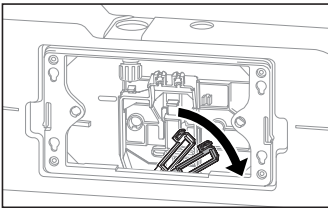
2) Close the shutoff valve in the tank, and then push the button on the actuator to flush the water.



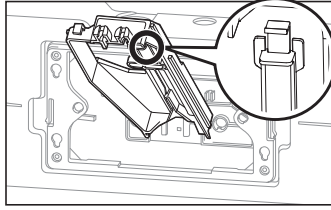
3) Push on the tab to remove the actuator.



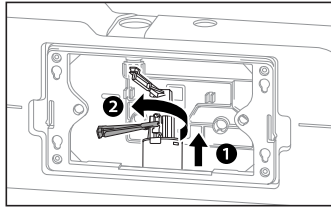
4) Tilt the two pull-up rods of the flush valve to the right.



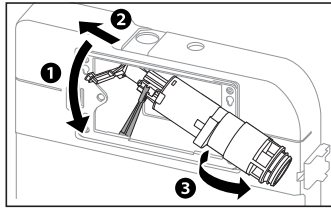
5) Remove the hold-down bracket by pulling on the tab indicated.



6) Pull the flush valve up, and rotate the rods.



7) Rotate the whole unit as you pull it out.



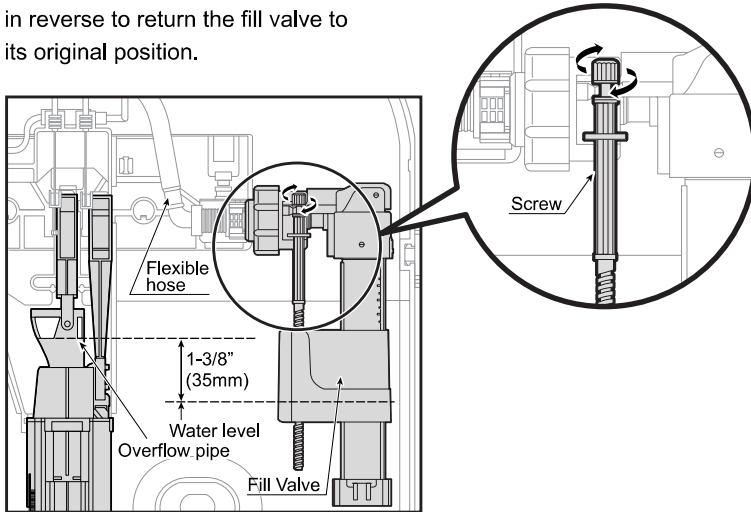
8) At the other end of the flush valve, the rubber piece can be removed for cleaning or to be replaced.

9) To install the parts back into the tank, do the reverse order.

## SERVICING PROCEDURES

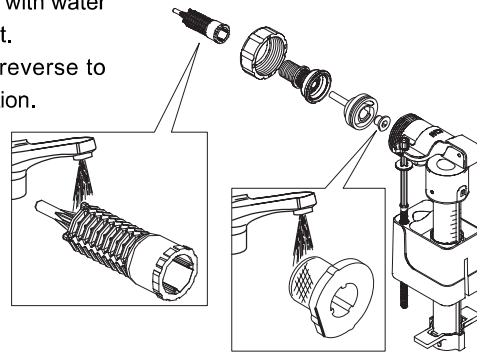
### Adjusting the Water Level in the Tank

- 1) Follow the procedure for removing the flush valve.
- 2) Disconnect the flexible hose from the fill valve.
- 3) Pull the hook toward you, slide the main unit up, and then remove the fill valve main unit.
- 4) Turning the screw clockwise will raise the water level.
- 5) Turning the screw counterclockwise will lower the water level.
- 6) The water level must be 1-3/8" (35 mm) below the overflow pipe.
- 7) To install, follow the procedure in reverse to return the fill valve to its original position.

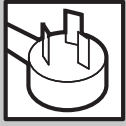


### Cleaning the Filter of the Fill Valve

- 1) Close the water shutoff valve, and then remove the fill valve as described above.
- 2) As shown in the figure, disassemble the fill valve, and then either clean the filter with water or use a brush to clean any dirt from it.
- 3) To install, follow the procedure in reverse to return the fill valve to its original position.

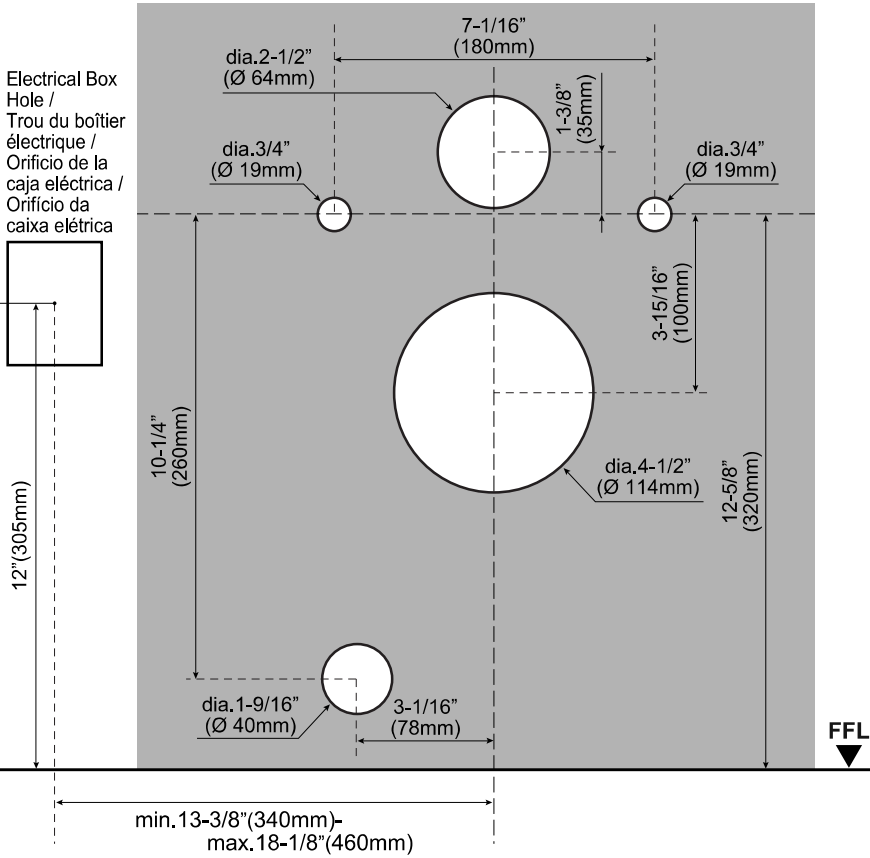


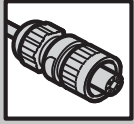
ENGLISH



**Detail dimensions for wall Panel. /  
Détails des dimensions du panneau mural. /  
Dimensiones detalladas del panel mural. /  
Dimensões detalhadas para o Painel da parede.**

Dimensions are based on toilet rim height 16-1/8" (410mm) /  
Les dimensions sont basées sur des rebords d'une hauteur de 16-1/8" (410mm) /  
Dimensiones basadas en la altura del borde del inodoro de 16-1/8" (410 mm) /  
As dimensões têm como base um vaso sanitário com borda de altura 16-1/8" (410mm)





**Detail dimensions for wall Panel. /  
Détails des dimensions du panneau mural. /  
Dimensiones detalladas del panel mural. /  
Dimensões detalhadas para o Painel da parede.**

Dimensions are based on toilet rim height 16-1/8" (410mm) /  
Les dimensions sont basées sur des rebords d'une hauteur de 16-1/8" (410mm) /  
Dimensiones basadas en la altura del inodoro de 16-1/8" (410 mm) /  
As dimensões têm como base um vaso sanitário com borda de altura 16-1/8" (410mm)

