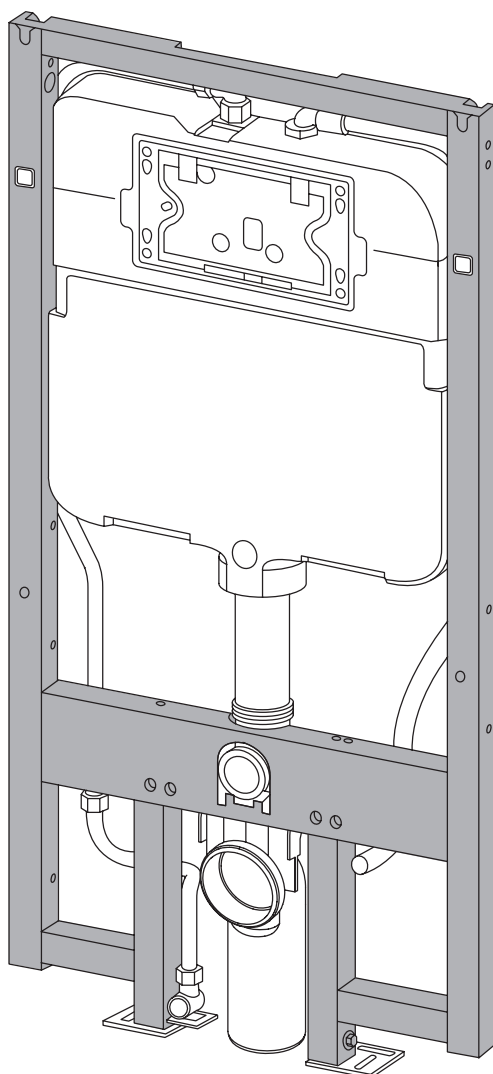


Neorest In Wall Tank System

Sistema de tanque empotrado Neorest

Système de réservoir mural Neorest

Sistema de depósito de parede Neorest



WT174M

Warranty Registration and Inquiry

For product warranty registration, TOTO U.S.A. Inc. recommends online warranty registration. Please visit our web site <http://www.totousa.com>. If you have questions regarding warranty policy or coverage, please contact TOTO U.S.A. Inc., Customer Service Department, 1155 Southern Road, Morrow, GA 30260 (888) 295-8134 or (678) 466-1300 when calling from outside of U.S.A.

TABLE OF CONTENTS

Thanks for Choosing TOTO!.....	2
Common Tools Needed.....	2
Included Parts.....	2
Before Installation.....	3-4
Installation Procedure.....	5-9
Servicing Procedures.....	10-11
Warranty.....	12

THANKS FOR CHOOSING TOTO!

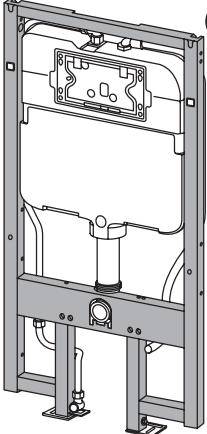
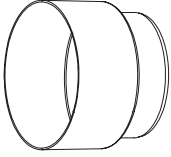

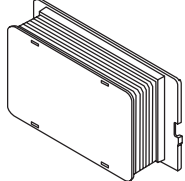
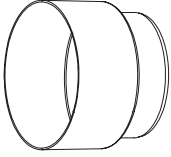

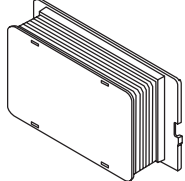
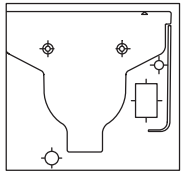
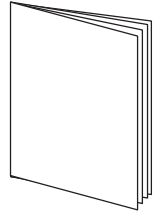
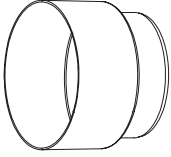

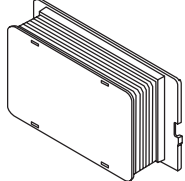
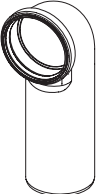
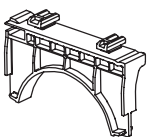




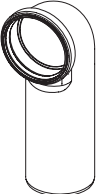
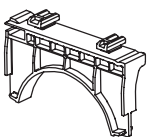




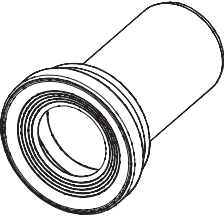

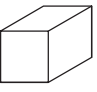



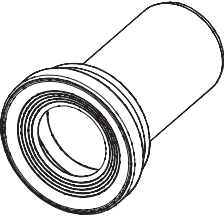

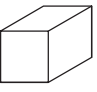



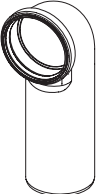
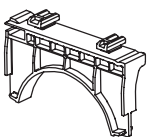




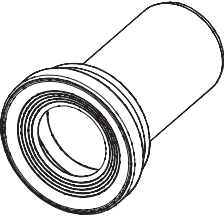

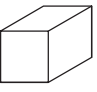



The mission of TOTO is to provide the world with healthy, hygienic and more comfortable lifestyles. We design every product with the balance of form and function as a guiding principle. Congratulations on your choice.

COMMON TOOLS NEEDED

- | | |
|---|--|
| <ul style="list-style-type: none"> • Hacksaw • Flat File • Drill • 1/8" (3mm) Drill Bit | <ul style="list-style-type: none"> • 3-1/2" (89mm) Hole Saw • 7/16" (11mm) Open or Boxed-end Wrench • Tape Measure • Carpenter's Level |
|---|--|

INCLUDED PARTS

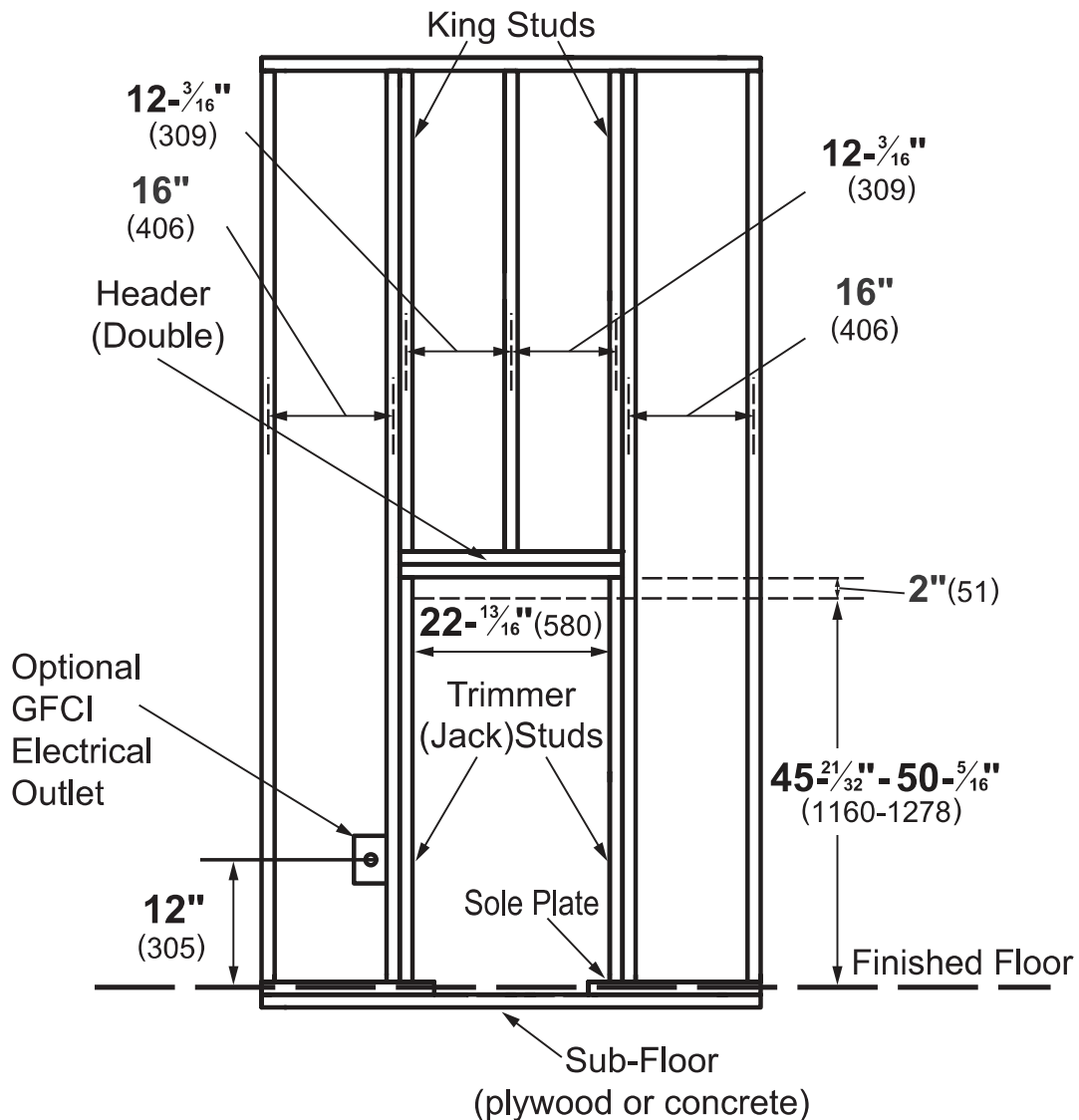
Check to make sure you have all these parts from the package:

<p>In Wall Tank (Carrier)</p> 	<p>Parts in Bag</p> <table style="width: 100%; border-collapse: collapse;"> <tr> <td style="text-align: center;">  Outlet Pipe Mud Guard </td> <td style="text-align: center;">  Inlet Pipe Mud Guard </td> </tr> <tr> <td colspan="2" style="text-align: center;">  Push Plate Rough In </td> </tr> </table>	 Outlet Pipe Mud Guard	 Inlet Pipe Mud Guard	 Push Plate Rough In		 Installation Template  Installation Manual							
 Outlet Pipe Mud Guard	 Inlet Pipe Mud Guard												
 Push Plate Rough In													
<p>Parts in Bag 1</p> <table style="width: 100%; border-collapse: collapse;"> <tr> <td style="text-align: center;">  Outlet Pipe </td> <td style="text-align: center;">  Upper bracket </td> <td style="text-align: center;">  Lag Screw (8) </td> </tr> <tr> <td style="text-align: center;">  Threaded Mounting Stud (2) </td> <td style="text-align: center;">  Lower Bracket </td> <td style="text-align: center;">  Anchor (2) </td> </tr> </table>	 Outlet Pipe	 Upper bracket	 Lag Screw (8)	 Threaded Mounting Stud (2)	 Lower Bracket	 Anchor (2)	<p>Parts in Bag 2</p> <table style="width: 100%; border-collapse: collapse;"> <tr> <td style="text-align: center;">  Flange Pipe </td> <td style="text-align: center;">  Inlet Pipe </td> <td style="text-align: center;">  Lubricated sponge </td> </tr> <tr> <td style="text-align: center;">  Nut (2) </td> <td style="text-align: center;">  Washer (2) </td> <td style="text-align: center;">  Stud bolt Flange (2) </td> </tr> </table>	 Flange Pipe	 Inlet Pipe	 Lubricated sponge	 Nut (2)	 Washer (2)	 Stud bolt Flange (2)
 Outlet Pipe	 Upper bracket	 Lag Screw (8)											
 Threaded Mounting Stud (2)	 Lower Bracket	 Anchor (2)											
 Flange Pipe	 Inlet Pipe	 Lubricated sponge											
 Nut (2)	 Washer (2)	 Stud bolt Flange (2)											

BEFORE INSTALLATION

- Read these instructions thoroughly before beginning work.
- Please leave these instructions with the customer. They contain important maintenance and warranty information.
- If necessary, remove the existing toilet.
- **CAUTION!** Be sure to properly bleed all air from the piping system prior to using any TOTO products. Trapped/compressed air can cause damage to the flushing system and toilet bowl.
- Do not loosen or tamper with the copper fittings or joint connections.
- Framing support should be capable of supporting 880 lb load without damage to the wall. When metal framing studs are used, rigid, non-flexing bracing supports should be added to create a rigidity of the base. This will serve to minimize any flexing observed in the finished wall from sitting to standing and avoid cracks in the wall.

Prepare the support for the carrier as shown. Consult with a building contractor and/or local codes for any additional requirements. Add a double wall studs (king and jack) and double header per the shown dimensions. Confirm that the opening is square.



BEFORE INSTALLATION

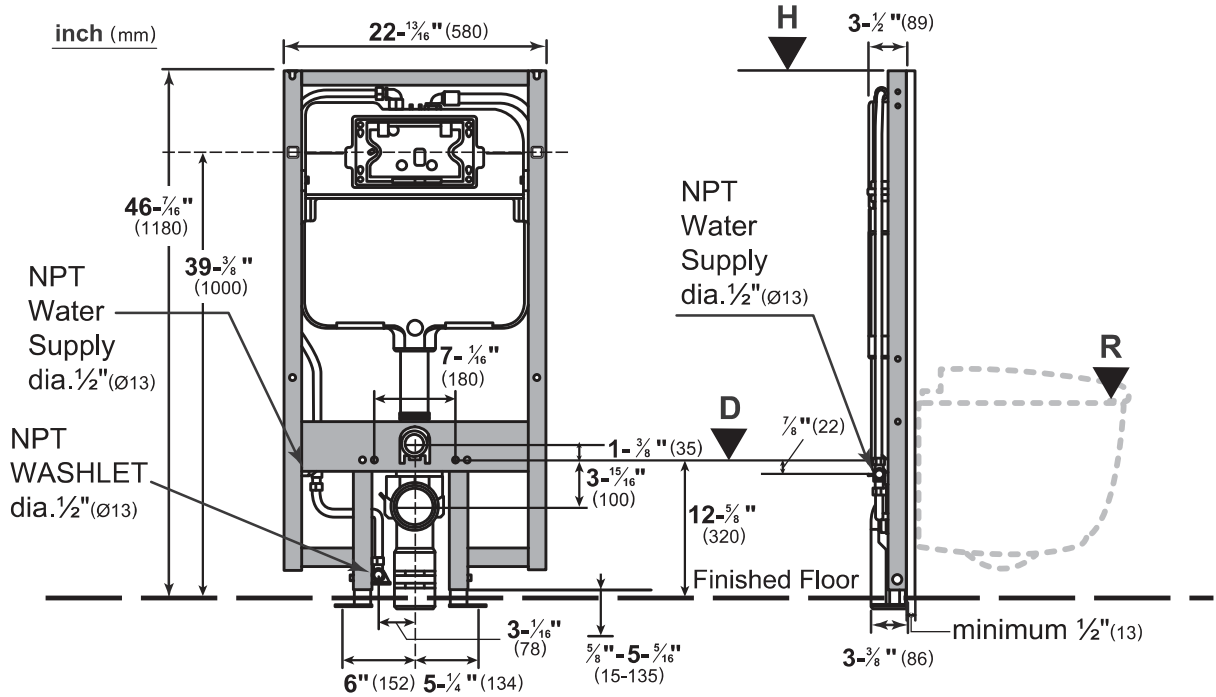


Table 1: Dimensions measured from Finished Floor

inch			mm		
Toilet Rim Height (R)	System Height (H)	Threaded Mounting Stud Height (D)	Toilet Rim Height (R)	System Height (H)	Threaded Mounting Stud Height (D)
15-11/32"	45-21/32"	11-13/16"	390	1160	300
16"	46-5/16"	12-15/32"	406	1176	316
17"	47-5/16"	13-15/32"	432	1202	342
18"	48-5/16"	14-15/32"	457	1227	367
19"	49-5/16"	15-15/32"	483	1253	393
20"	50-5/16"	16-15/32"	508	1278	418

ENGLISH

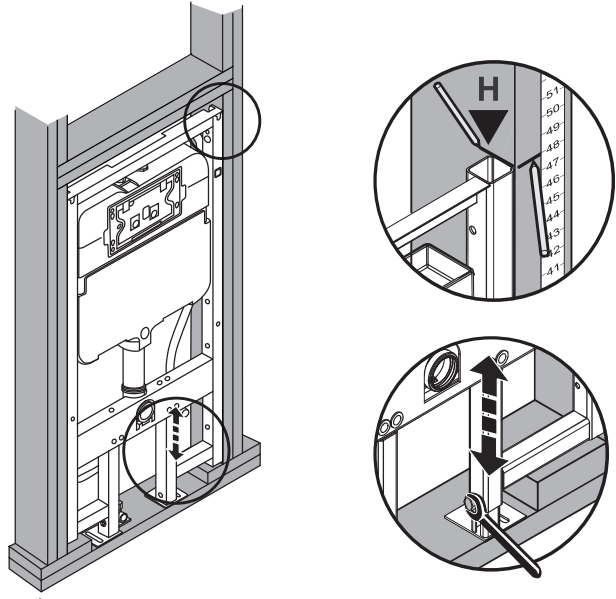
INSTALLATION PROCEDURE

Installing the In-Wall Tank System

Loosen the bolts on the adjustable legs and adjust the carrier to the desired height with reference to the Finished Floor (see Table 1 for guide).

Place the carrier so that the front of the carrier frame is flush with the front of the supporting wall frame.

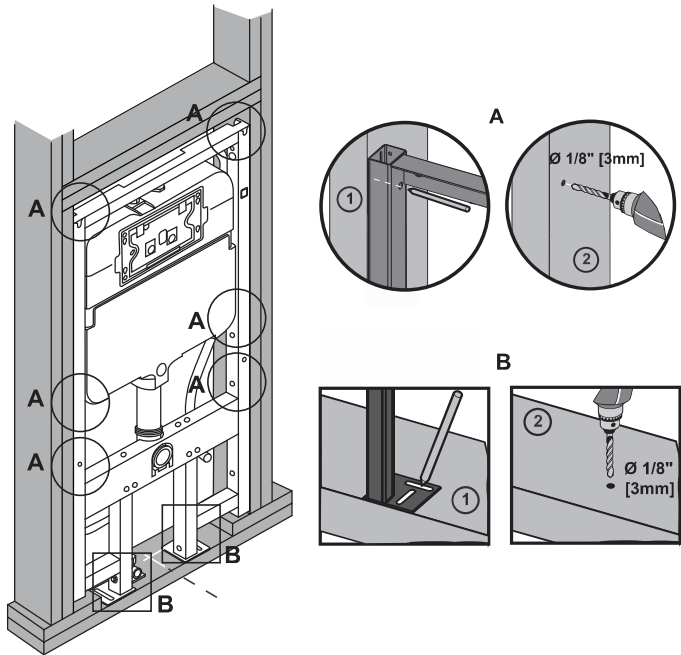
Tighten the two bolts on the legs to secure the height of the carrier.



Mark the location for drilling pilot holes for the screws to secure the carrier to the wood frame.

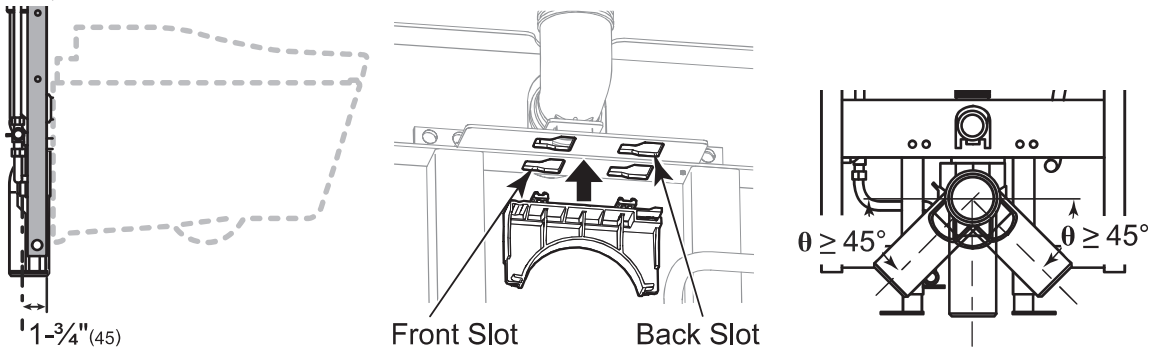
There are six (6) screws for the side (3 on each side) and two on the feet. Make sure the carrier is flush with the wood frame before placing the markings.

Remove the carrier from the wood frame, drill six (6) 1/8" (3mm) holes on the wall stud (Trimmer/Jack) and two (2) on the subfloor (plywood); for concrete, drill 3/8" (10mm) holes for anchors.

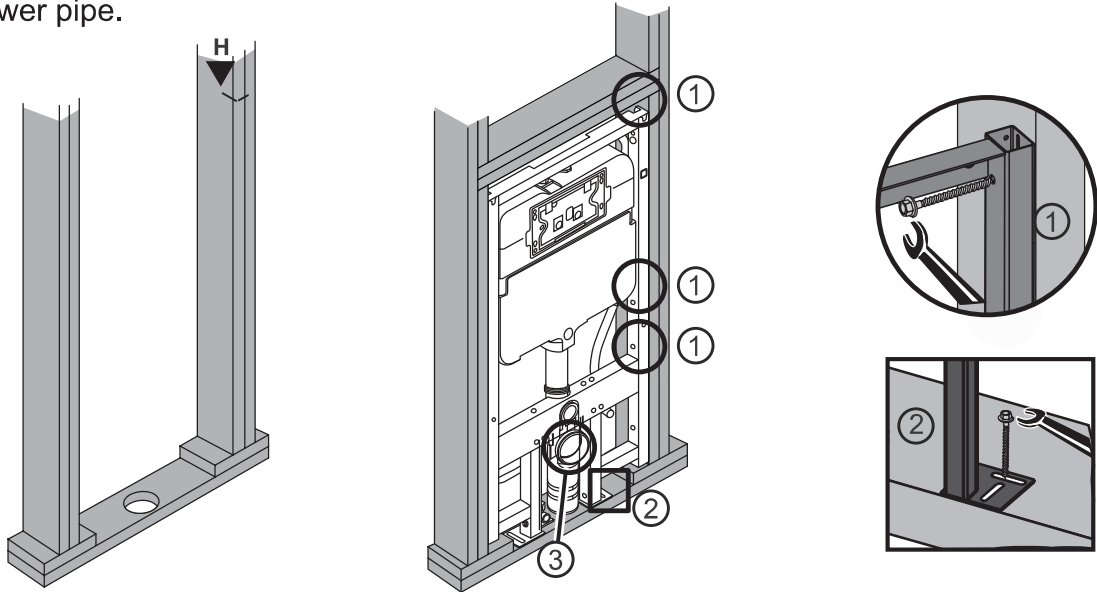


For vertical drain installation, clip the upper bracket to the front slot of the frame as shown. Drill a 3-3/4" (95mm) hole on the subfloor 1-3/4" (45mm) from the front of studs.

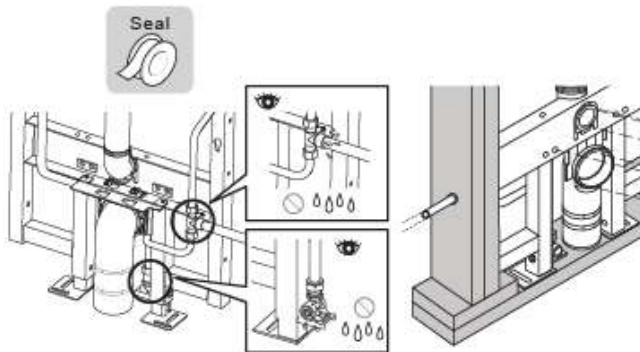
For left or right drain installation, clip the upper bracket to the back slot of the frame as shown.



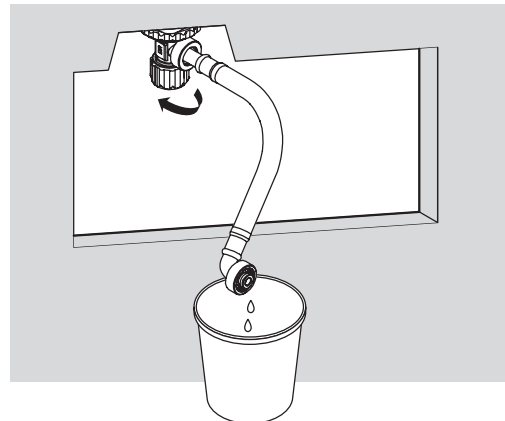
Use the lower bracket to lock the outlet pipe to the Carrier.
 Place the carrier into the wood frame, make sure the carrier is horizontally leveled and flush is placed in the front face of the stud frame.
 Use the screws provided for securing the System. Install the outlet pipe to the sewer pipe.





Plumb the water supply line and check for leak.




Before connecting the flexible hose to the fill valve, open shutoff valve to let water run for a minute or two.

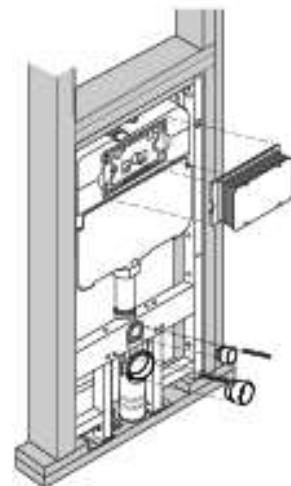


After that, shut off the valve and the main supply valve.

 CAUTION	
This indicates that misoperation could result in injury or physical damage.	
 Required	It is important to reconfirm that there is no water leakage at all connections. Do not loosen or tamper with the copper fittings or joint connections. Incomplete connection could cause foul odor or water to leak.

The  symbol indicates something that must be done.

Insert the mud guard for the inlet and outlet, the push plate rough-in for the push plate and the two (2) Threaded Mounting Stud for the mounting bowl on the inner holes.



Cutting Out the Wall Location

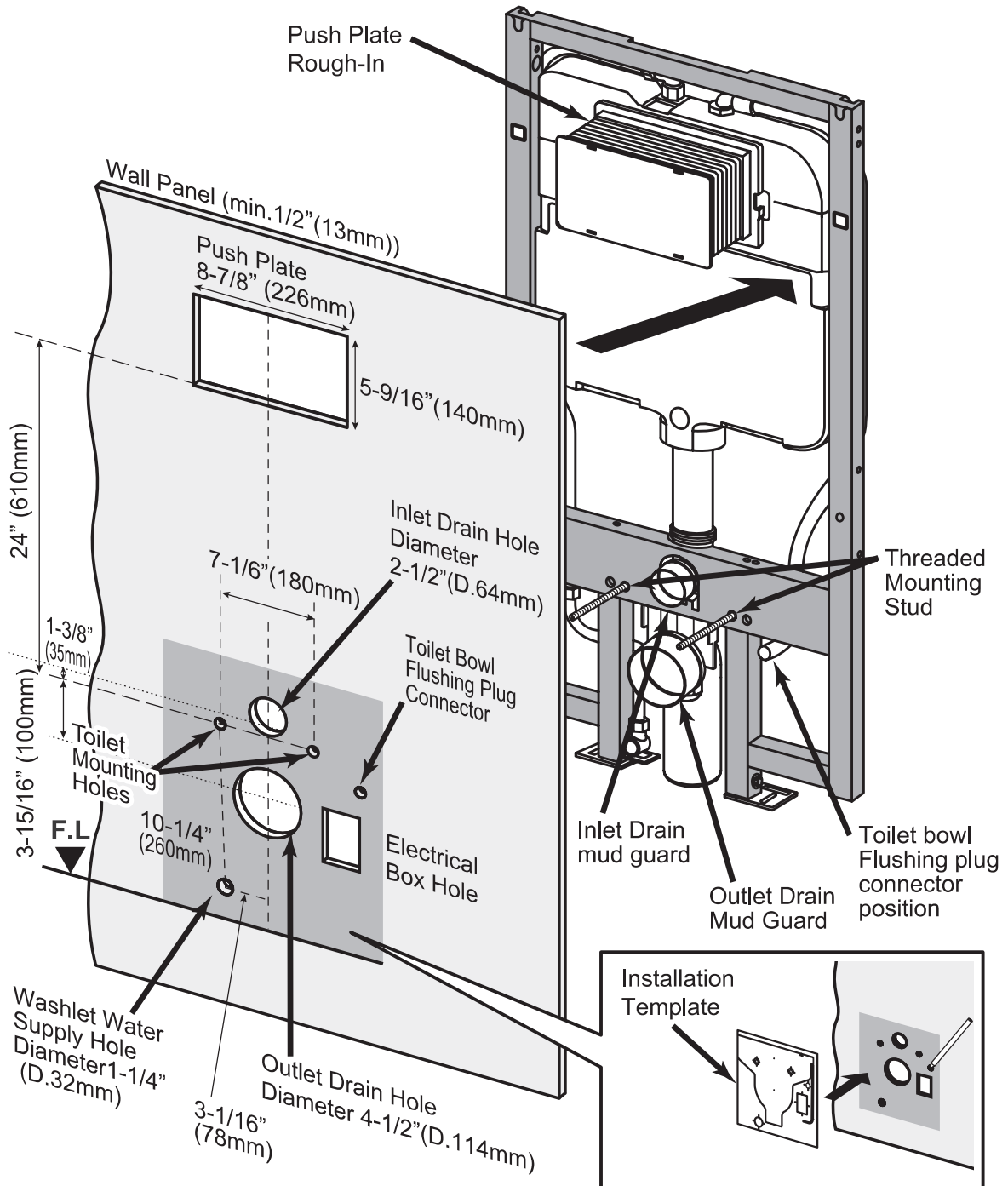
Recommended minimum 1/2" (13mm) drywall installation. Use the protruding parts on the carrier to locate the cuts on the wall.

Cut a 4-1/2" (114mm) diameter hole for the outlet drain.

Cut a 2-1/2" (64mm) diameter hole for the water inlet.

Cut two 3/4" (19mm) diameter holes for the threaded mounting stud.

Cut a 8-7/8" (226mm) x 5-9/16" (140mm) hole for the push plate.

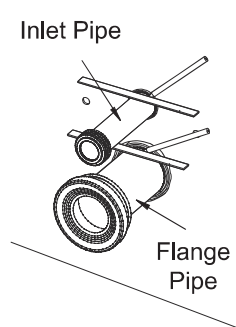


Installing Toilet on the In-Wall Tank System

1) Apply lubrication using the supplied sponge in the inlet and outlet drain to facilitate installation. Insert the inlet pipe into the tank drain outlet until it stops.

Place the edge of a ruler against the finished wall and on top of the inlet pipe. Mark the location as shown and remove the inlet pipe.

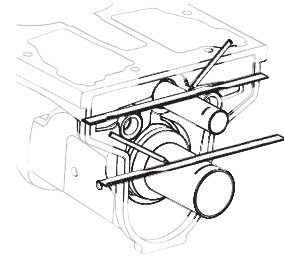
Repeat this process with the flange pipe.



2) Insert the inlet pipe end with the gasket into the back of the toilet bowl.

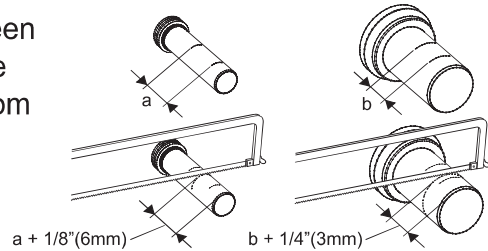
Place the edge of a ruler against the whole width of the back of the toilet and on top of the inlet pipe. Mark the location as shown and remove the inlet pipe.

Repeat this process with the flange pipe.



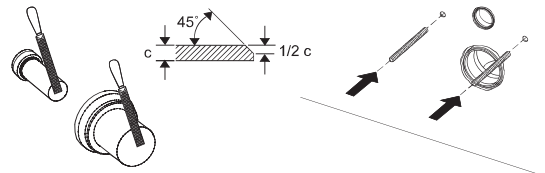
3) As shown in the figure, measure the distance between two lines "a" and "b". From that dimension, mark the cutting line by measuring from the edge opposite from the gasket and saw off the excess.

Repeat this process for the flange pipe.

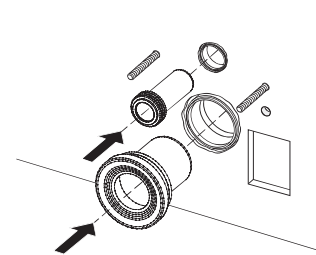


4) Bevel the cutting edges as shown.

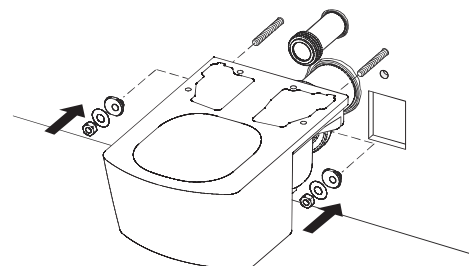
Screw the threaded mounting studs onto the tank and leave 2-1/8" (54mm) exposed.



5) Insert the inlet pipe and the flange pipe into the appropriate drain holes.



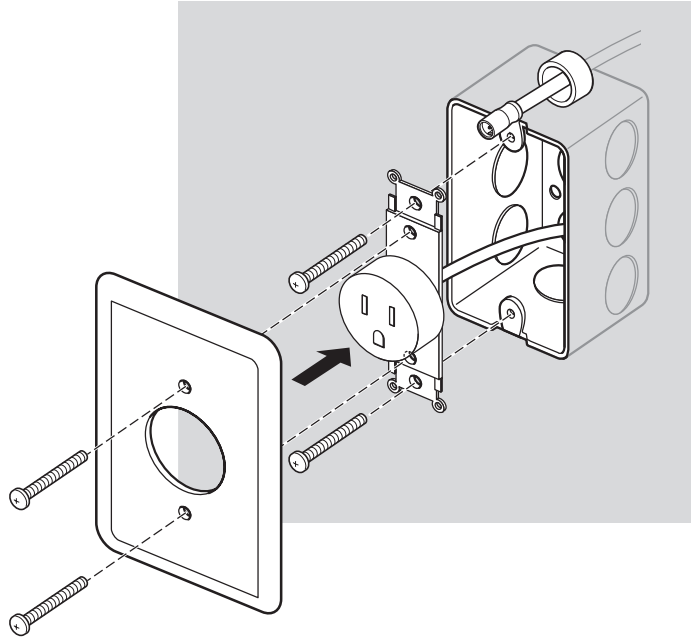
6) Install the toilet bowl by aligning it with the pipes and threaded mounting stud. Use the included mounting hardware to secure the bowl.



INSTRUCTION NOTE

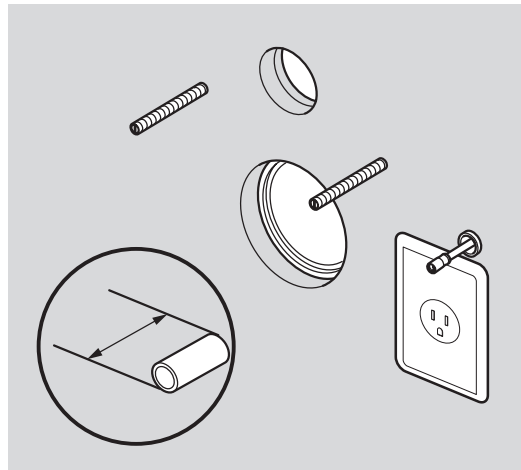
Follow the wiring code to install electrical components.

A GFCI receptacle is recommended for this installation



Installing the water supply pipe for the top unit (Washlet)

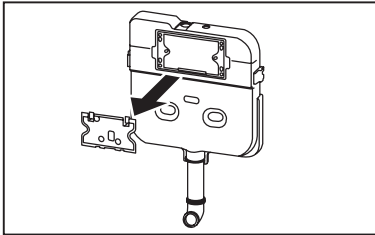
The length of the water supply pipe (1/2" NPT) extending from the wall should be 3-1/8" (80mm) ± 3/8" (10mm)



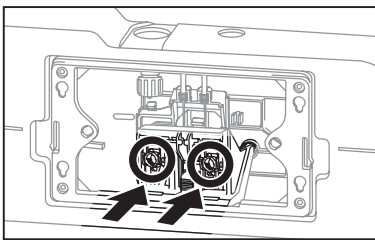
SERVICING PROCEDURES

Servicing and / or Replacing the Flush Valve, Replacing the Auto Flush Unit

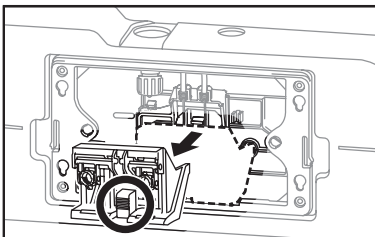
1) Remove the splash guard and pull it out.



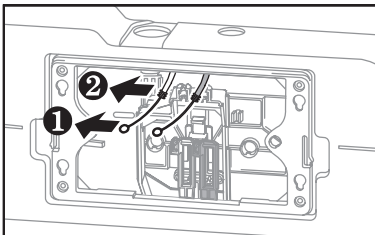
2) Close the shutoff valve in the tank, and then push the button on the actuator to flush the water.



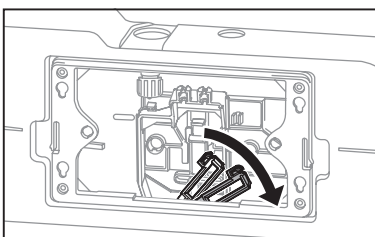
3) Push on the tab to remove the actuator.



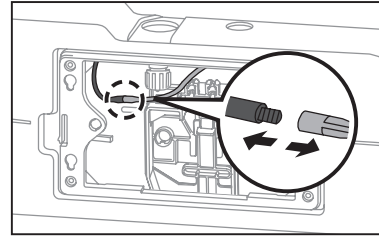
4) Disconnect the cable from the flush valve and wire tube from the hold-down bracket.



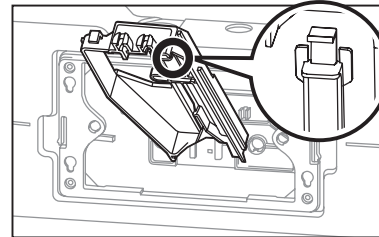
5) Tilt the two pull-up rods of the flush valve to the right.



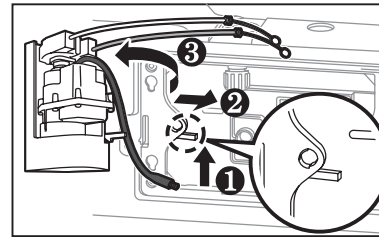
6) Remove the relay harness from the auto flush unit.
* Make sure that the cord does not get wet after removing it.



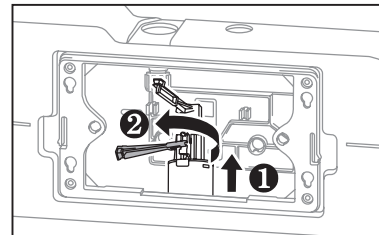
7) Remove the hold-down bracket by pulling on the tab indicated.



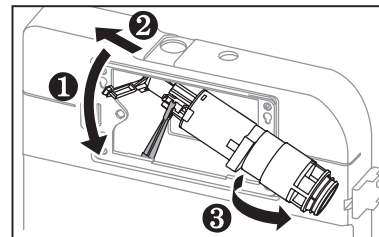
8) Pull the snap fastener on the auto flush unit up as you slide it to the right.



9) Pull the flush valve up, and rotate the rods.



10) Rotate the whole unit as you pull it out.



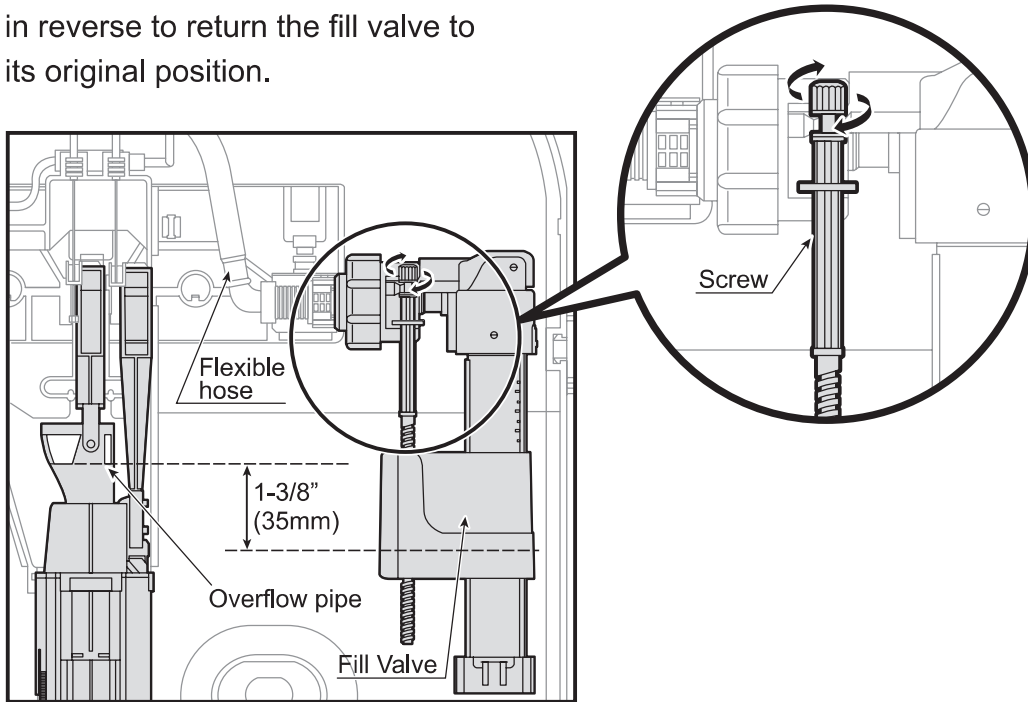
11) At the other end of the flush valve, the rubber piece can be removed for cleaning or to be replaced.

12) To install the parts back into the tank, do the reverse order.

SERVICING PROCEDURES

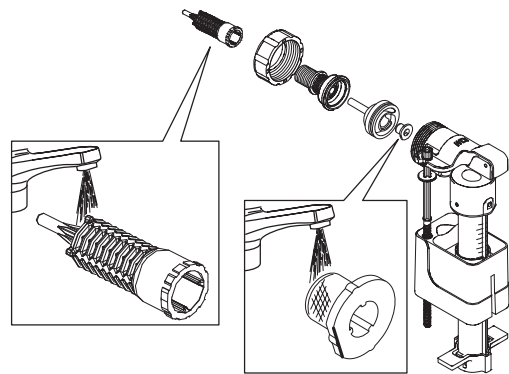
Adjusting the Water Level in the Tank

- 1) Follow the procedure for removing the flush valve.
- 2) Disconnect the flexible hose from the fill valve.
- 3) Pull the hook toward you, slide the main unit up, and then remove the fill valve main unit.
- 4) Turning the screw clockwise will raise the water level.
- 5) Turning the screw counterclockwise will lower the water level.
- 6) The water level must be 1-3/8" (35 mm) below the overflow pipe.
- 7) To install, follow the procedure in reverse to return the fill valve to its original position.



Cleaning the Filter of the Fill Valve

- 1) Close the water shutoff valve, and then remove the fill valve as described above.
- 2) As shown in the figure, disassemble the fill valve, and then either clean the filter with water or use a brush to clean any dirt from it.
- 3) To install, follow the procedure in reverse to return the fill valve to its original position.



WARRANTY

1. TOTO warrants its In Wall Tank System ("Product") to be free from defects in materials and workmanship during normal use when properly installed and serviced, for a period of one (1) year from date of purchase. This limited warranty is extended only to the ORIGINAL PURCHASER of the Product and is not transferable to any third party, including but not limited to any subsequent purchaser or owner of the Product. This warranty applies only to TOTO Product purchased and installed in North, Central and South America.
2. TOTO's obligations under this warranty are limited to repair, replacement or other appropriate adjustment, at TOTO's option, of the Product or parts found to be defective in normal use, provided that such Product was properly installed, used and serviced in accordance with instructions. TOTO reserves the right to make such inspections as may be necessary in order to determine the cause of the defect. TOTO will not charge for labor or parts in connection with warranty repairs or replacements. TOTO is not responsible for the cost of removal, return and/or reinstallation of the Product.
3. This warranty does not apply to the following items:
 - a. Damage or loss sustained in a natural calamity such as fire, earthquake, flood, thunder, electrical storm, etc.
 - b. Damage or loss resulting from any accident, unreasonable use, misuse, abuse, negligence, or improper care, cleaning, or maintenance of the Product.
 - c. Damage or loss resulting from sediments or foreign matter contained in a water system.
 - d. Damage or loss resulting from improper installation or from installation of the Product in a harsh and/or hazardous environment, or improper removal, repair or modification of the Product. (NOTE: Product model codes allow a maximum of 80 PSI. Check local codes or standards for requirements).
 - e. Damage or loss resulting from electrical surges or lightning strikes or other acts which are not the fault of TOTO or which the Product is not specified to tolerate.
 - f. Damage or loss resulting from normal and customary wear and tear, such as gloss reduction, scratching or fading over time due to use, cleaning practices or water or atmospheric conditions.
 - g. Tank flushing mechanisms of plastic or rubber moving parts.
 - h. Toilet seats of plastic, wood or metal.
4. In order for this limited warranty to be valid, proof of purchase is required. TOTO encourages warranty registration upon purchase to create a record of Product ownership at <http://www.totousa.com>. Product registration is completely voluntary and failure to register will not diminish your limited warranty rights.
5. THIS WARRANTY GIVES YOU SPECIFIC LEGAL RIGHTS. YOU MAY HAVE OTHER RIGHTS WHICH VARY FROM STATE TO STATE, PROVINCE TO PROVINCE OR COUNTRY TO COUNTRY.
6. To obtain warranty repair service under this warranty, you must take the Product or deliver it prepaid to a TOTO service facility together with proof of purchase (original sales receipt) and a letter stating the problem, or contact a TOTO distributor or products service contractor, or write directly to TOTO U.S.A., INC., 1155 Southern Road, Morrow, GA 30260 (678) 466-1300 or (888) 295 8134, if outside the U.S.A. If, because of the size of the Product or nature of the defect, the Product cannot be returned to TOTO, receipt by TOTO of written notice of the defect together with proof of purchase (original sales receipt) shall constitute delivery. In such case, TOTO may choose to repair the Product at the purchaser's location or pay to transport the Product to a service facility.

WARNING! TOTO shall not be responsible or liable for any failure of, or damage to, this Product caused by either chloramines in the treatment of public water supply or cleaners containing chlorine (calcium hypochlorite). NOTE: The use of a high concentrate chlorine or chlorine related products can seriously damage the fittings. This damage can cause leakage and serious property damage.

THIS WRITTEN WARRANTY IS THE ONLY WARRANTY MADE BY TOTO. REPAIR, REPLACEMENT OR OTHER APPROPRIATE ADJUSTMENT AS PROVIDED UNDER THIS WARRANTY SHALL BE THE EXCLUSIVE REMEDY AVAILABLE TO THE ORIGINAL PURCHASER. TOTO SHALL NOT BE RESPONSIBLE FOR LOSS OF THE PRODUCT OR FOR OTHER INCIDENTAL, SPECIAL OR CONSEQUENTIAL DAMAGES OR EXPENSES INCURRED BY THE ORIGINAL PURCHASER, OR FOR LABOR OR OTHER COSTS DUE TO INSTALLATION OR REMOVAL, OR COSTS OF REPAIRS BY OTHERS, OR FOR ANY OTHER EXPENSE NOT SPECIFICALLY STATED ABOVE. IN NO EVENT WILL TOTO'S RESPONSIBILITY EXCEED THE PURCHASE PRICE OF THE PRODUCT. EXCEPT TO THE EXTENT PROHIBITED BY APPLICABLE LAW, ANY IMPLIED WARRANTIES, INCLUDING THAT OF MERCHANTABILITY OR FITNESS FOR USE OR FOR A PARTICULAR PURPOSE, ARE EXPRESSLY DISCLAIMED. SOME STATES DO NOT ALLOW LIMITATIONS ON HOW LONG AN IMPLIED WARRANTY LASTS, OR THE EXCLUSION OR LIMITATION OF INCIDENTAL OR CONSEQUENTIAL DAMAGES, SO THE ABOVE LIMITATION AND EXCLUSION MAY NOT APPLY TO YOU.

TOTO

TOTO U.S.A., Inc. 1155 Southern Road,
Morrow, Georgia 30260
Tel: 888-295-8134 Fax: 800-699-4889
www.totousa.com

0GU094-2
Date:08/2020

Warranty Registration and Inquiry

For product warranty registration, TOTO U.S.A. Inc. recommends online warranty registration. Please visit our web site <http://www.totousa.com>. If you have questions regarding warranty policy or coverage, please contact TOTO U.S.A. Inc., Customer Service Department, 1155 Southern Road, Morrow, GA 30260 (888) 295-8134 or (678) 466-1300 when calling from outside of U.S.A.