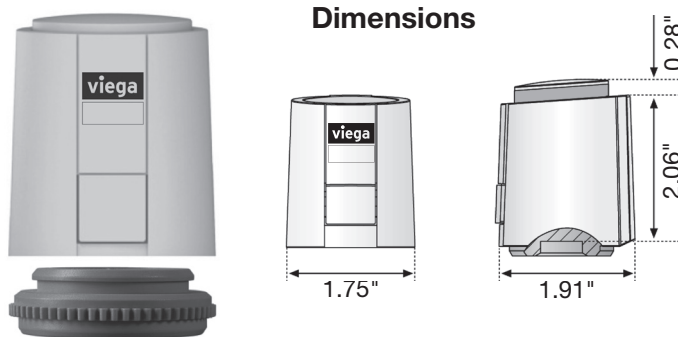


# Product Instructions

viiega

## Powerhead for Stainless Manifold (24V 2-Wire)



### Applications

Powerhead part number 15070 is a two position actuator which mounts on the return valve of the stainless manifold. A 24 V signal actuates the head to open the valve. The position of the valve is normally closed.

The powerhead may be used on both 1 1/4" stainless shut off/balancing and stainless shut off/ balancing/flow meter manifolds.

### Features

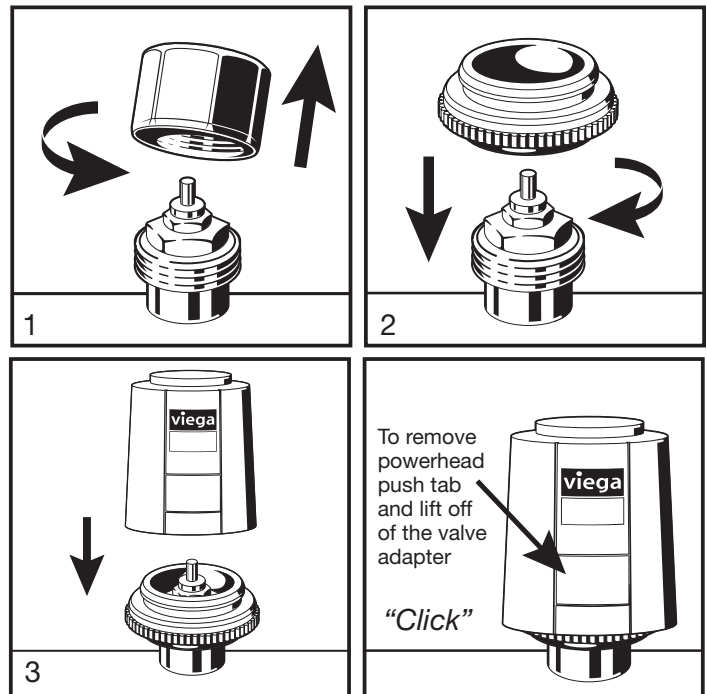
- Light gray in color, Viiega logo on front
- Normally closed
- Water resistant
- All around function indicator
- 360° installation position
- Snap-on installation
- Valve adapter concept
- Initially-Open function
- May be installed in any position

### Specifications

- Voltage: 24V
- Max Inrush Current: 300 mA for 2 minutes maximum
- Operating Power: 1W
- Closing/Opening Time: Approximately 3 minutes
- Stroke: 4 mm
- Actuating Force: 21lbs.
- Weight: 3.5 oz.
- Fluid Temperature: 32°F - 212°F
- Cable Length: 3.28'

### Installation

1. Remove the blue plastic cap from the return valve on the stainless manifold.
2. Thread the valve adapter on hand-tight. Do not use wrench or pliers.
3. Once the valve adapter is screwed on, simply snap the powerhead on to the valve adapter. No tools required.



### ON/OFF Indicator

The powerhead has a cylinder on the top that will raise and expose blue when the valve is open. You will be unable to see any blue when the valve is in its normal closed position.

### Initially-Open Function

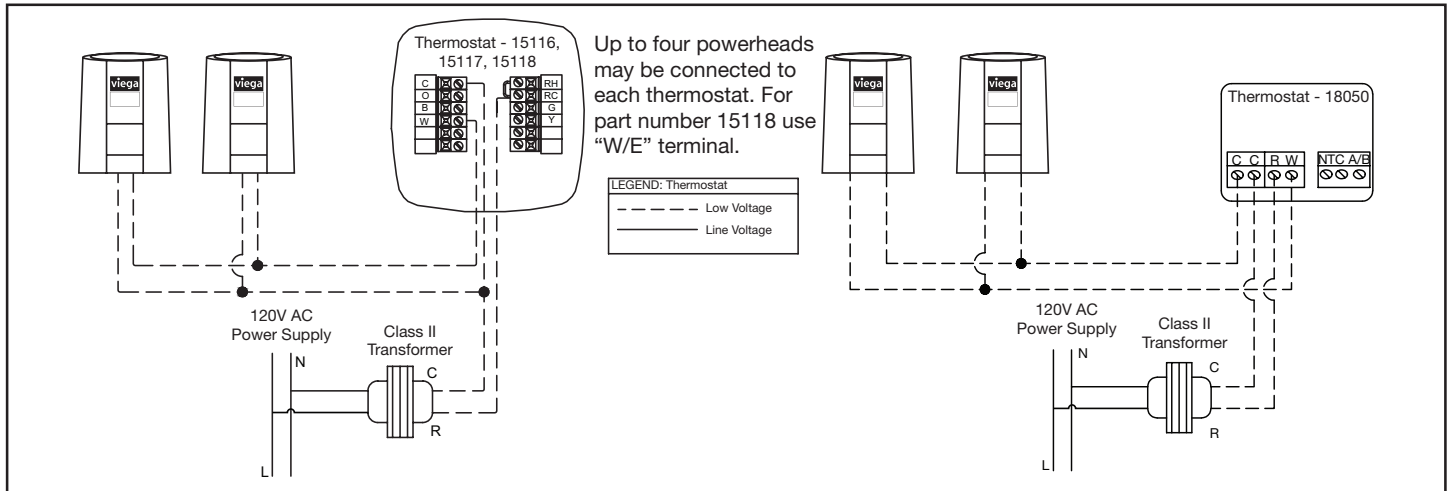
The powerhead is delivered in the open position. This allows for easier installations and also allows for the installer to pressure and flow test each circuit before connecting the power.

This function is disengaged automatically after the first 6 minutes of powered use.

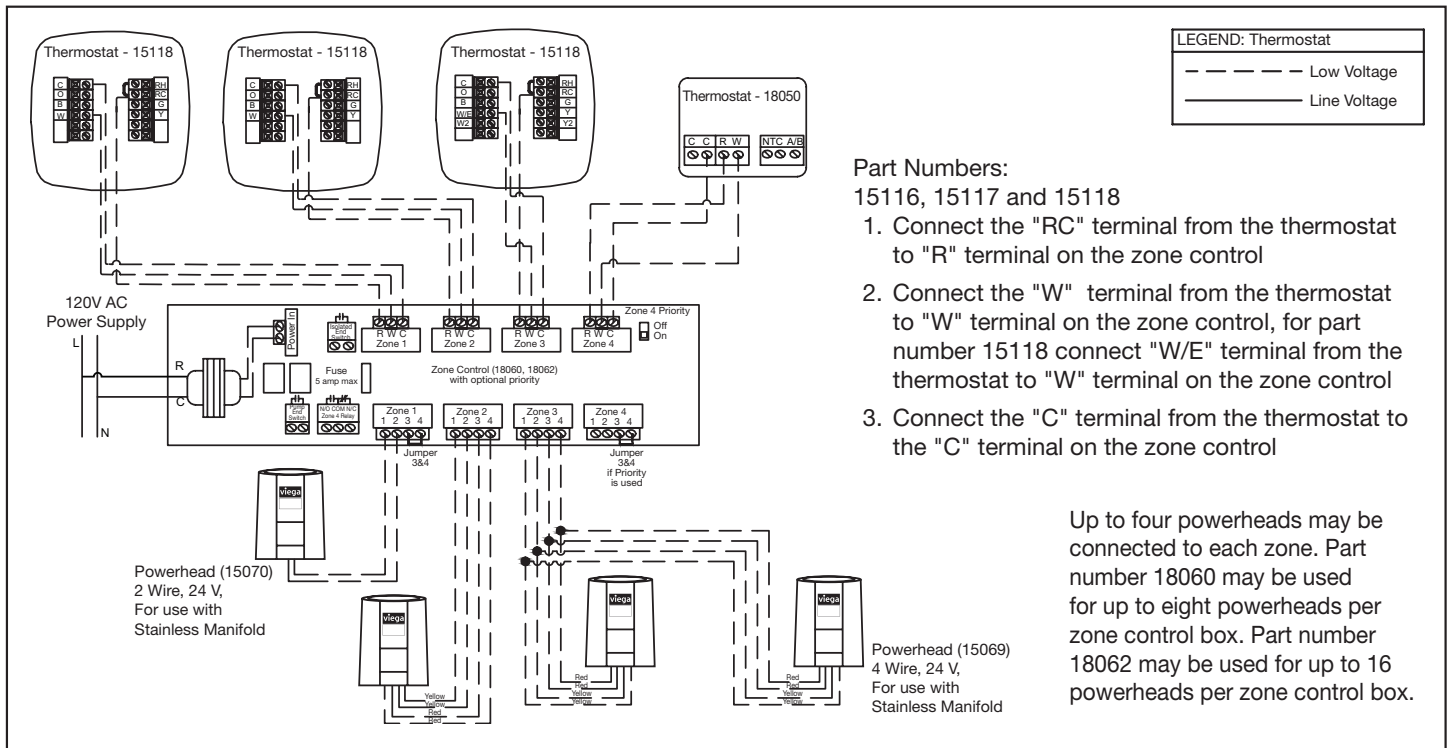
# Product Instructions



## Wiring Schematic – Thermostat with Powerheads



## Wiring Schematic – Thermostat and Powerheads with Zone Control



Viega products are designed to be installed by licensed and trained plumbing and mechanical professionals who are familiar with Viega products and their installation. **Installation by non-professionals may void Viega LLC's warranty.**

This document is subject to updates. For the most current Viega technical literature please visit [www.viega.us](http://www.viega.us).

Viega LLC • 585 Interlocken Blvd. • Broomfield, CO 80021 • Phone (800) 976-9819 • [www.viega.us](http://www.viega.us)