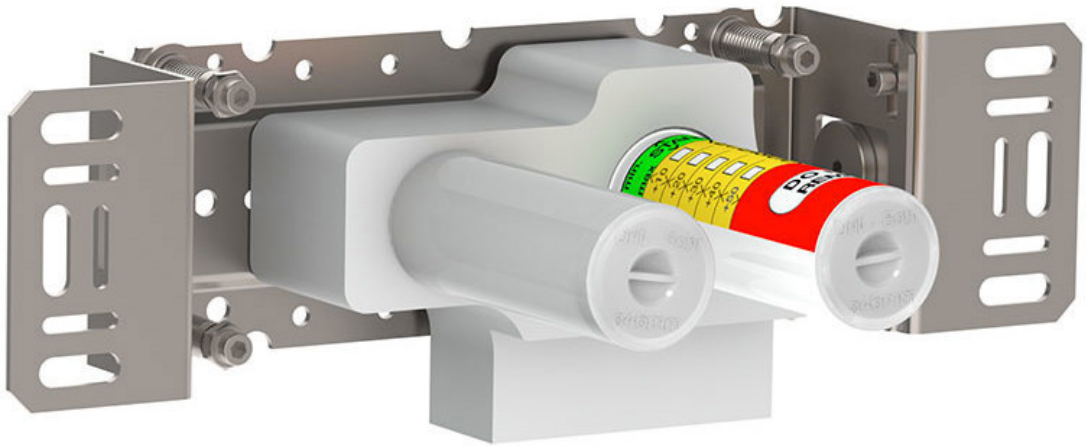


--

Date:
Client:
Project:

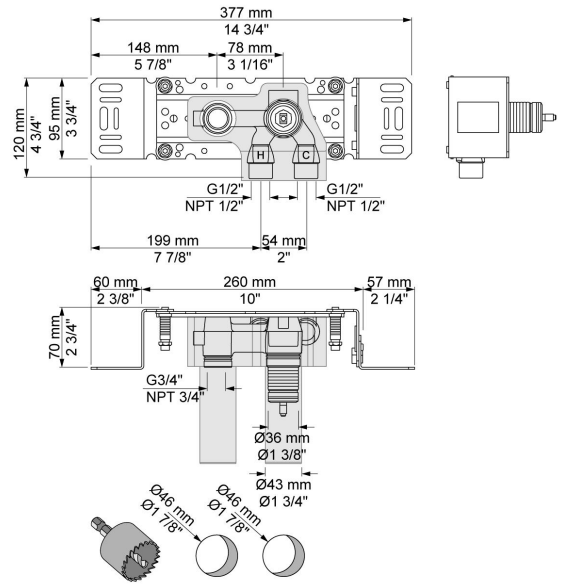


100X

One-handle build-in mixer with fixed outlet socket, mixer to the right.
 1/2" connection to copper, steel, iron or pex pipe work.

Flow

	Psi:	14.5	29.0	43.5	58.0	72.5
100X	(gal/min)	2.7	3.9	4.8	5.5	6.1



Available in colors