

Date:

Client:

Project:

VOLA product: 5401

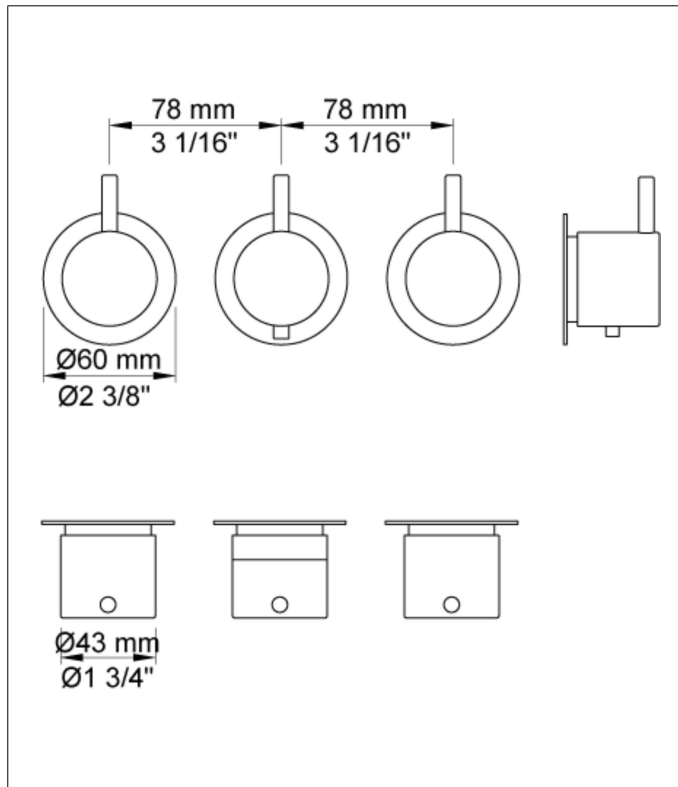


**5401**

¾" thermostatic mixer and diverter. 5401UP = Thermostatic mixer 5400V. 5401AP = Handle NR51, handle NR52, handle NR54G, 3 pcs. 60 mm circular flanges 2001.A24 sold separately.

**Flow**

	<b>Psi:</b>	<b>14.5</b>	<b>29.0</b>	<b>43.5</b>	<b>58.0</b>	<b>72.5</b>
5401	(gal/min)	6.6	9.3	11.4	13.1	14.7



**Available in colors**

- Color 02, Grey
- Color 04, Light blue
- Color 05, Orange
- Color 06, Light green
- Color 08, Yellow
- Color 09, Dark grey
- Color 12, Mocca
- Color 14, Bright red
- Color 15, Dark blue
- Color 16, Polished chrome
- Color 17, Gloss black
- Color 18, White
- Color 19, Natural brass
- Color 20, Brushed chrome
- Color 21, Carmine red
- Color 25, Pink
- Color 27, Matt black
- Color 40, Brushed stainless steel

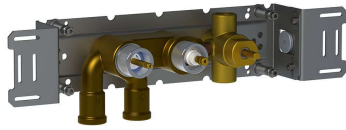
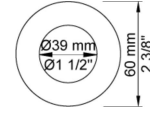
Date:

Client:

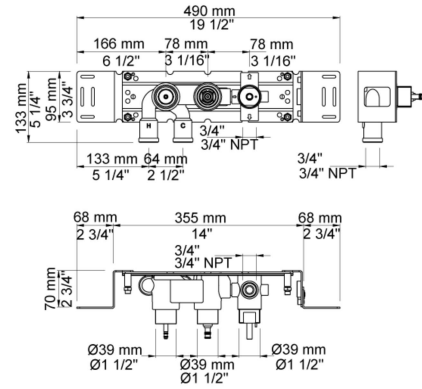
Project:



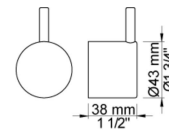
**2001**  
60 mm circular flange. Hole Ø39 mm.



**5400V**  
Thermostatic mixer with diverter, without outlet sockets. 3/4" connection to copper, steel, iron or pex pipe work.



**NR51**  
On/off handle for 5000 and 6000.



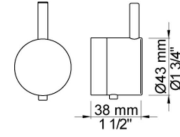
Date:

Client:

Project:



**NR52**  
Thermostatic handle for serie 5000.



**NR54G**  
Diverter handle for 5000 with peg in the same colour as handle (Standard).

