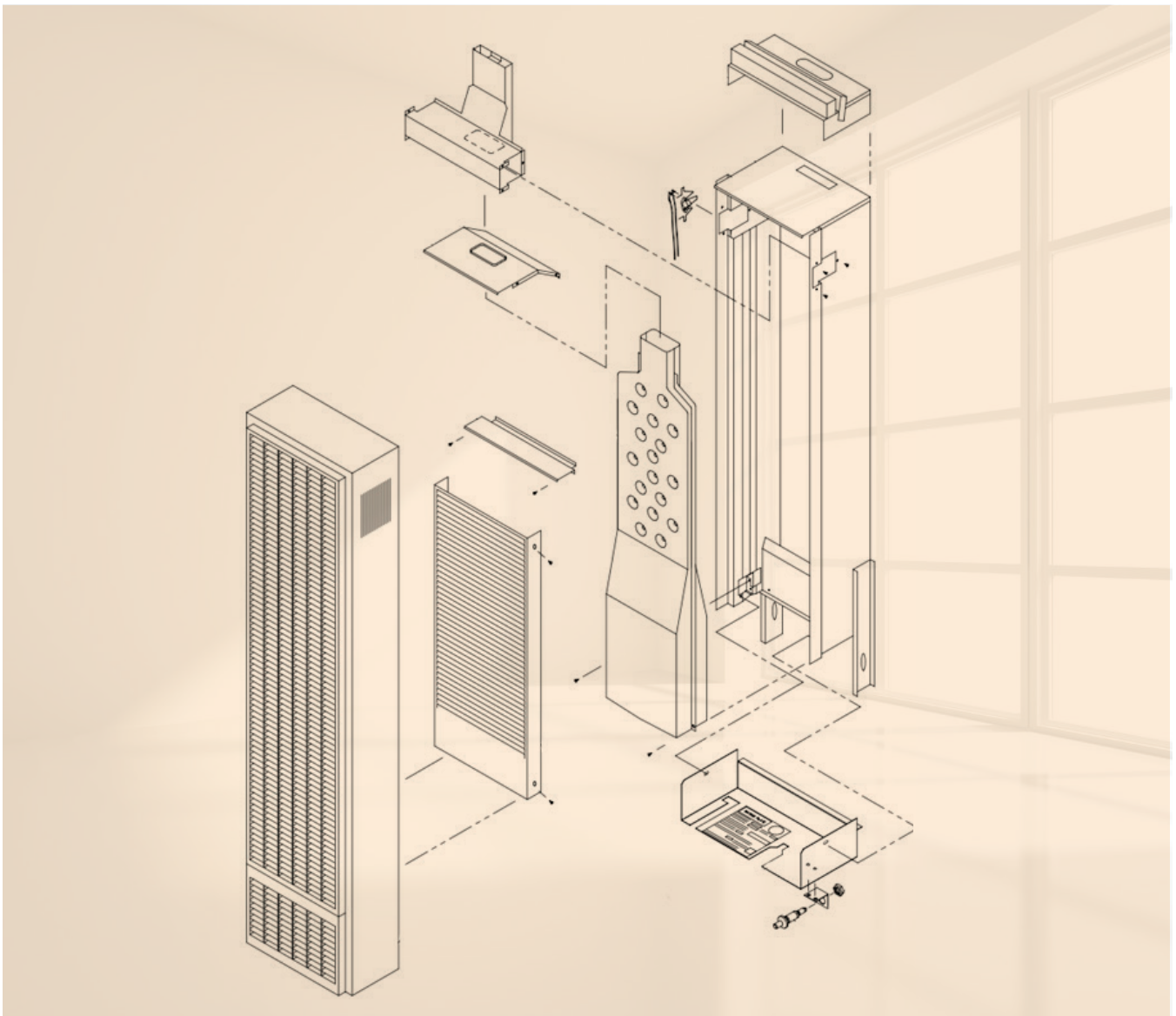




# EXPLODED VIEWS & REPLACEMENT PARTS LIST

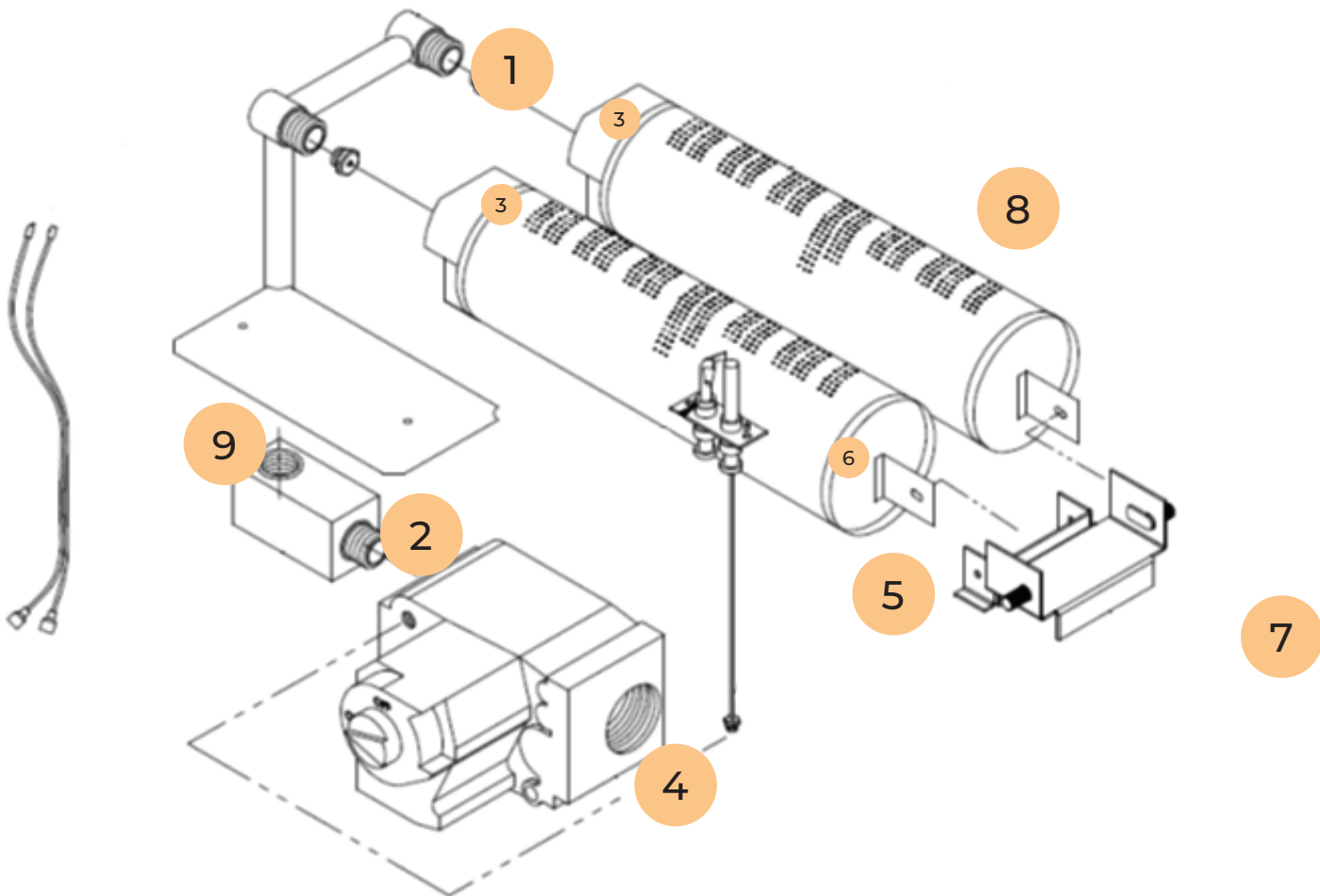
---



# MAGNUM FORSAIRE™ COUNTERFLOW TOP VENT FURNACE

## CONTROL ASSEMBLY REPLACEMENT PARTS 600 MODELS

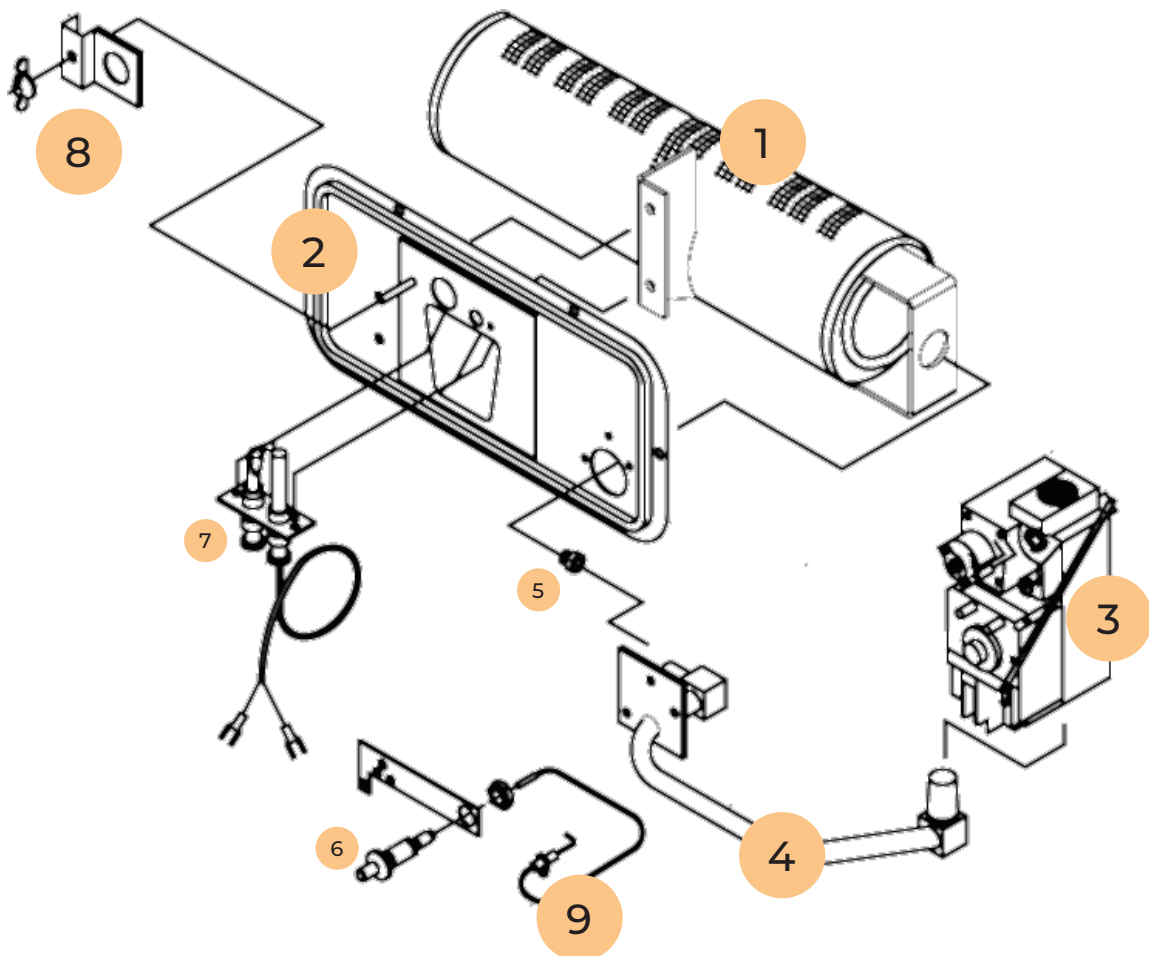
MODEL NUMBERS			
NATURAL		PROPANE	
6008832		6008831	
REF. NO.	REPLACEMENT PART DESCRIPTION	6008832	6008831
1	Manifold	P323656	P323656
2	Manifold Adaptor	P321888	P321888
3	Orifice Fitting, Specify Gas Type & Input (2)	P090539	P332621
4	Gas Control Valve	P323209	P322042
5	Thermocouple	P233100	P233100
6	Pilot	P323074	P323073
7	Asy, Burner Mounting Bracket	7B187	7B187
8	Burner, Stainless Steel	12B56 / 12B57	12B56 / 12B57
9	Wire Assembly, Vent Safety	P322048 / P322048A	P322048 / P322048A



# DIRECT VENT GRAVITY FURNACES

## CONTROL ASSEMBLY REPLACEMENT PARTS 220 / 300 MODELS

MODEL NUMBERS					
NATURAL		PROPANE			
		2203822	2203821	3003822	3003821
REF. NO.	REPLACEMENT PARTS DESCRIPTION	2203822	2203821	3003822	3003821
1	Burner	P168404	P168404	P168404	P168404
2	Control Door with P500677 Gasket	8A135	8A135	8A135	8A135
3	Gas Valve	P295200A	P295201A	P295200A	P295201A
4	Manifold with P147200 Gasket	P323655	P323655	P323655	P323655
5	Burner Orifice (Sea Level)	P090544	P332628	P090539	P332621
6	Manual Spark Igniter	P285500	P285500	P285500	P285500
7	Pilot (P142700 gasket not included)	P322398	P322399	P322398	P322399
8	Observation Door with P100100 Gasket	12B40	12B40	12B40	12B40
9	Electrode	P322400	P322400	P322400	P322400



**WARNING:** These products can expose you to chemicals including epichlorohydrin which is known to the State of California to cause cancer and birth defects and/or other reproductive harm. For more information go to [www.p65warnings.ca.gov](http://www.p65warnings.ca.gov)

 **WILLIAMS**<sup>™</sup>



[www.williamscomfortprod.com](http://www.williamscomfortprod.com) | 888-444-1212 | 250 West Laurel Street, Colton CA 92324 USA

Subject to change without notice | © 2021

