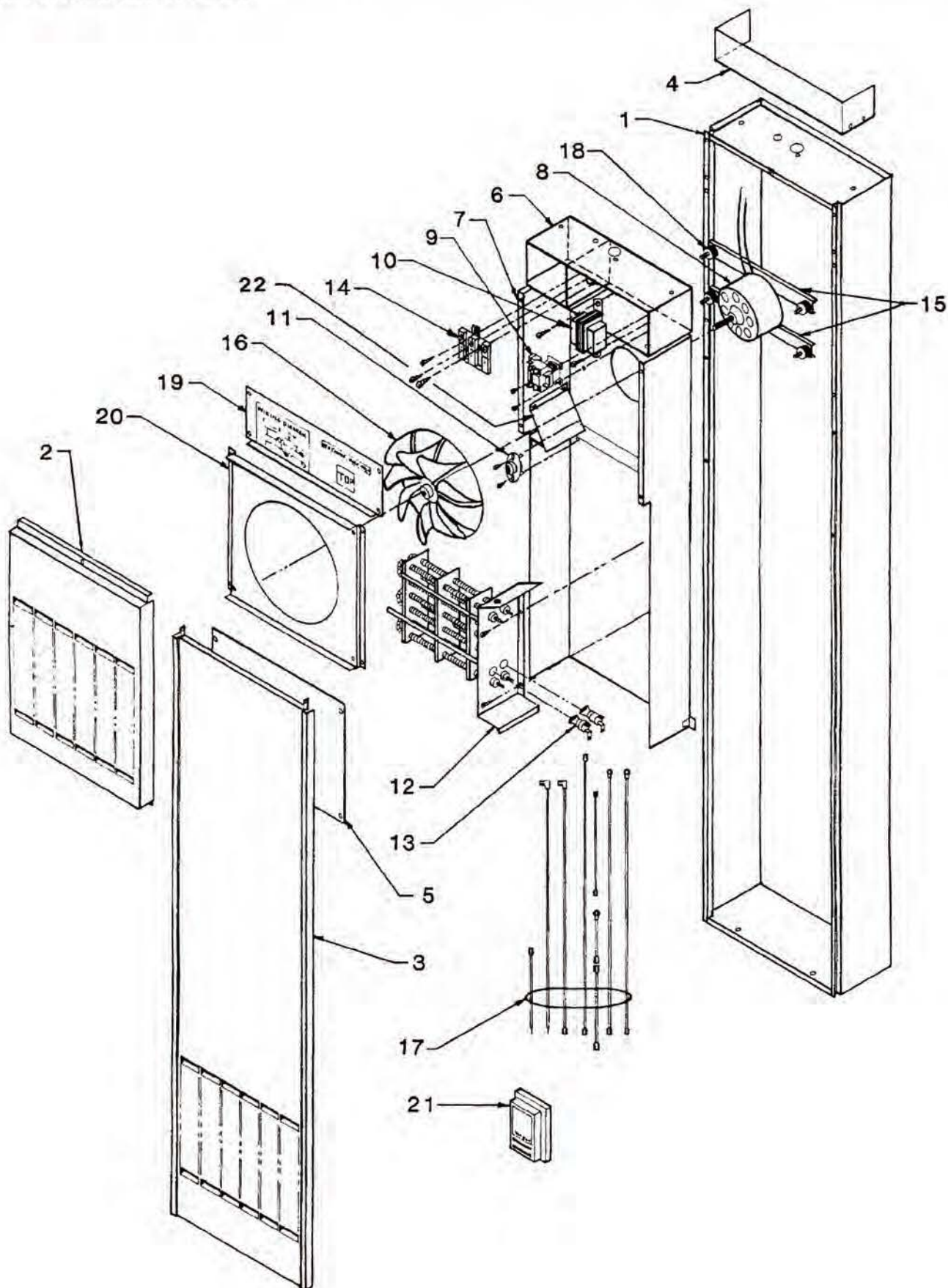


Forsaire Counterflow Electric Furnace

Model Number: 3144030



Forsaire Counterflow Electric Furnace

CABINET PARTS		
Reference Number	Description	Part Number
1	Outer Casing	16C01
2	Top Front Panel	16B01
3	Bottom Front Panel	16C03
4	Top Trim Cover	16A07
5	Element Cover	16A04
6	Junction Box Assembly	16B15
7	Element Casing Body Assembly	16C04
8	Motor	P021504
9	Relay	P154700
10	Transformer	P154802
11	Limit Switch	P323366
12	Heating Element	P155001
13	Fuse Limiter (2 Required)	P323665
14	Terminal Block	P154400
15	Motor Support (2 Required)	16A06
16	Fan Blade	P200600
17	Internal Wiring	Reference Only
18	Vibration Isolator (4 Required)	P022800
19	Junction Box Cover	16A03
20	Fan Shroud	16B05
21	Thermostat	P322016
22	Side Baffle Assembly	16A18
**	Owners Manual	P321008

** Not shown
 Note: Nuts, bolts and screws are standard hardware items, available locally