

MONTEREY TOP VENT FURNACE

CONTROL ASSEMBLY REPLACEMENT PARTS 250 / 350 MODELS

MODEL NUMBERS			
NATURAL			
2509622A	25H9622A	3509622A	35H9622A
PROPANE			
2509621A		3509621A	

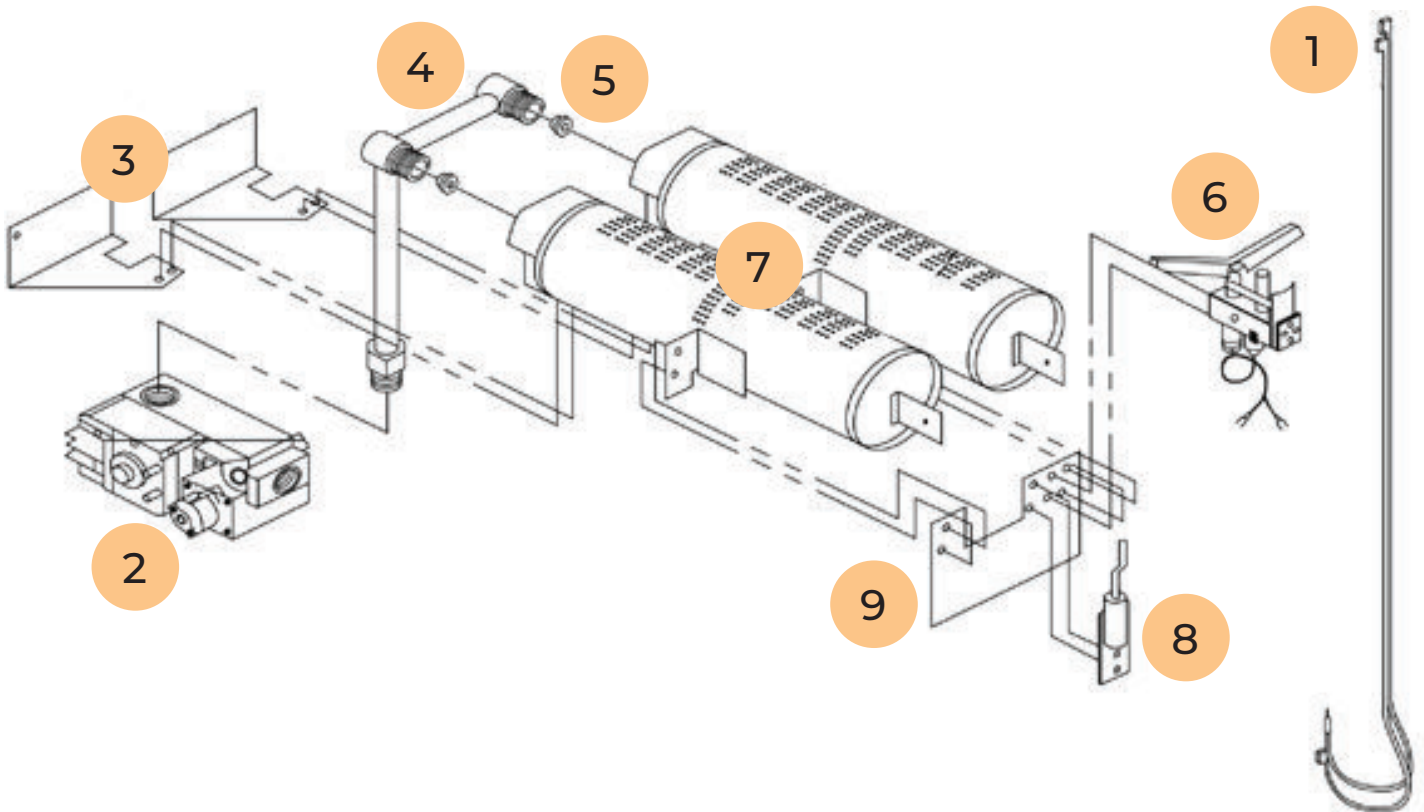
REF. NO.	REPLACEMENT PART DESCRIPTION	2509622A 25H9622A	3509622A 35H9622A	2509621A	3509621A
1	Wire Assembly (2 Req.)	P321836/A	P321836/A	P321836/A	P321836/A
2	Valve	P323011	P323011	P322660	P322660
3	Front Burner Bracket	9B234	9B234	9B234	9B234
4	Manifold	P323660	P323660	P323660	P323660
5	Burner Orifice)	P090543	P090536	P332624	P332635
6	Pilot/Generator Assembly	P501617	P501617	P501618	P501618
7	Burner	P323648	P323648	P323648	P323648
8	Electrode	P322276	P322276	P322276	P322276

MONTEREY TOP VENT FURNACE

CONTROL ASSEMBLY REPLACEMENT PARTS FOR 500 MODELS

MODEL NUMBERS	
NATURAL	
5009622A	50H9622A
PROPANE	
5009621A	

REF. NO.	REPLACEMENT PART DESCRIPTION	5009622A 50H9622A	5009621A
1	Wire Assembly (2 Req.)	P321836/A	P321836/A
2	Valve	P323011	P322660
3	Front Burner Bracket	9B243	9B243
4	Manifold	P323661	P323661
5	Burner Orifice (2 Req.)	P332625	P332623
6	Pilot/Generator Assembly	P322396	P322397
7	Burner (2 Req.)	P323648	P323648
8	Electrode	P322155	P322155
9	Pilot Mounting Plate	9A409	9A409



MONTEREY PLUS + TOP VENT FURNACE

CONTROL ASSEMBLY REPLACEMENT PARTS 250 / 350 MODELS

MODEL NUMBERS	
NATURAL	
2509822	3509822
PROPANE	
2509821	3509821

REF. NO.	REPLACEMENT PART DESCRIPTION	2509822	3509822	2509821	3509821
1	Wire Assembly (2 Req.)	P321836/A	P321836/A	P321836/A	P321836/A
2	Valve	P323011	P323011	P322660	P322660
3	Front Burner Bracket	9B234	9B234	9B234	9B234
4	Manifold	P323660	P323660	P323660	P323660
5	Burner Orifice	P332618	P332636	P332618	P332635
6	Pilot	P323074	P323074	P323073	P323073
7	Generator	P043800	P043800	P043800	P043800
8	Burner	P323648	P323648	P323648	P323648
9	Electrode	P322276	P322276	P322276	P322276

MONTEREY *PLUS* + TOP VENT FURNACE

CONTROL ASSEMBLY REPLACEMENT PARTS FOR 500 MODELS

MODEL NUMBERS	
NATURAL	
5009822	
PROPANE	
5009821	

REF. NO.	REPLACEMENT PART DESCRIPTION	5009822	5009821
1	Wire Assembly (2 Req.)	P321836/A	P321836/A
2	Valve	P323011	P322660
3	Front Burner Bracket	9B243	9B243
4	Manifold	P323661	P323661
5	Burner Orifice (2 Req.)	P332625	P332623
6	Pilot/Generator Assembly	P322396	P322397
7	Burner	P323648	P323648
8	Electrode	P322155	P322155
9	Pilot Mounting Plate (2 Req.)	9A409	9A409

