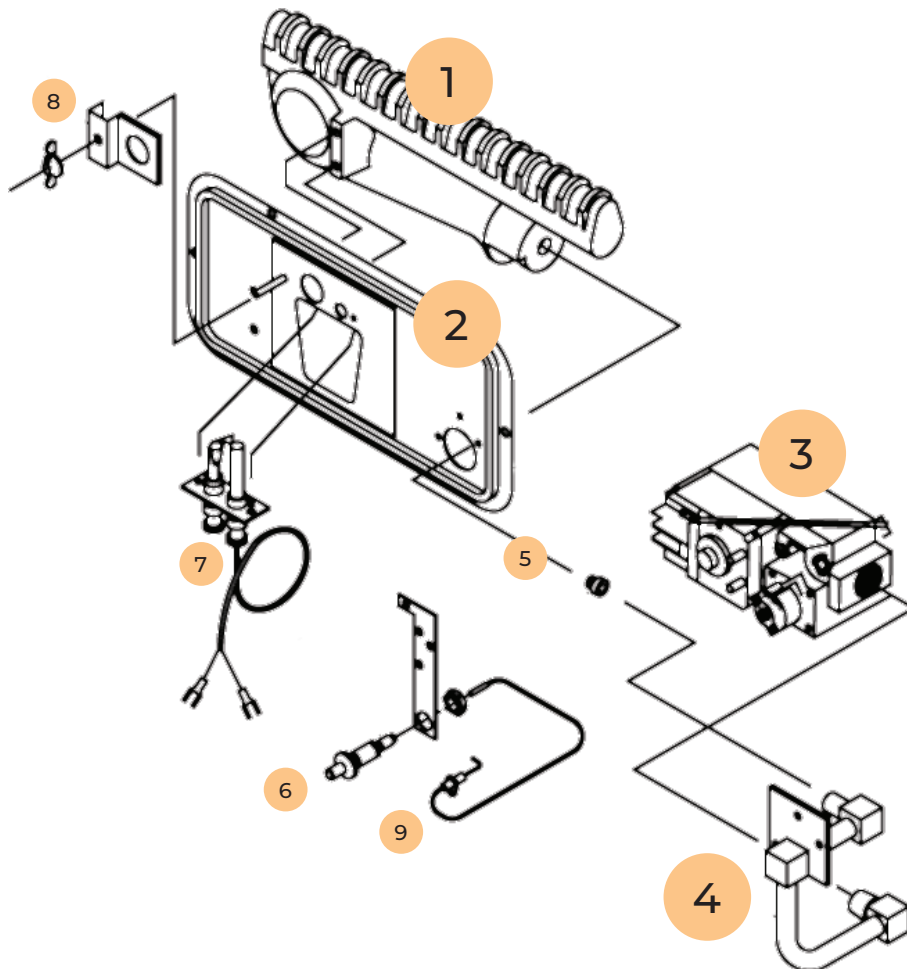


DIRECT VENT GRAVITY FURNACES

CONTROL ASSEMBLY REPLACEMENT PARTS 140 MODELS

MODEL NUMBERS			
NATURAL		PROPANE	
1403822		1403821	
REF. NO.	REPLACEMENT PART DESCRIPTION	1403822	1403821
1	Burner	P168400	P168400
2	Control Door with P500677 Gasket	8A103	8A103
3	Gas Valve	P295200A	P295201A
4	Manifold with P147200 Gasket	P323659	P323659
5	Burner Orifice (Sea Level)	P090550	P090556
6	Manual Spark Igniter	P285500	P285500
7	Pilot (P142700 gasket not included)	P323700	P322399
8	Observation Door with P100100 Gasket	12B40	12B40
9	Electrode	P322400	P322400



DIRECT VENT GRAVITY FURNACES

CONTROL ASSEMBLY REPLACEMENT PARTS 220 / 300 MODELS

MODEL NUMBERS					
NATURAL		PROPANE			
		2203822	2203821	3003822	3003821
REF. NO.	REPLACEMENT PARTS DESCRIPTION	2203822	2203821	3003822	3003821
1	Burner	P168404	P168404	P168404	P168404
2	Control Door with P500677 Gasket	8A135	8A135	8A135	8A135
3	Gas Valve	P295200A	P295201A	P295200A	P295201A
4	Manifold with P147200 Gasket	P323655	P323655	P323655	P323655
5	Burner Orifice (Sea Level)	P090544	P332628	P090539	P332621
6	Manual Spark Igniter	P285500	P285500	P285500	P285500
7	Pilot (P142700 gasket not included)	P322398	P322399	P322398	P322399
8	Observation Door with P100100 Gasket	12B40	12B40	12B40	12B40
9	Electrode	P322400	P322400	P322400	P322400

