

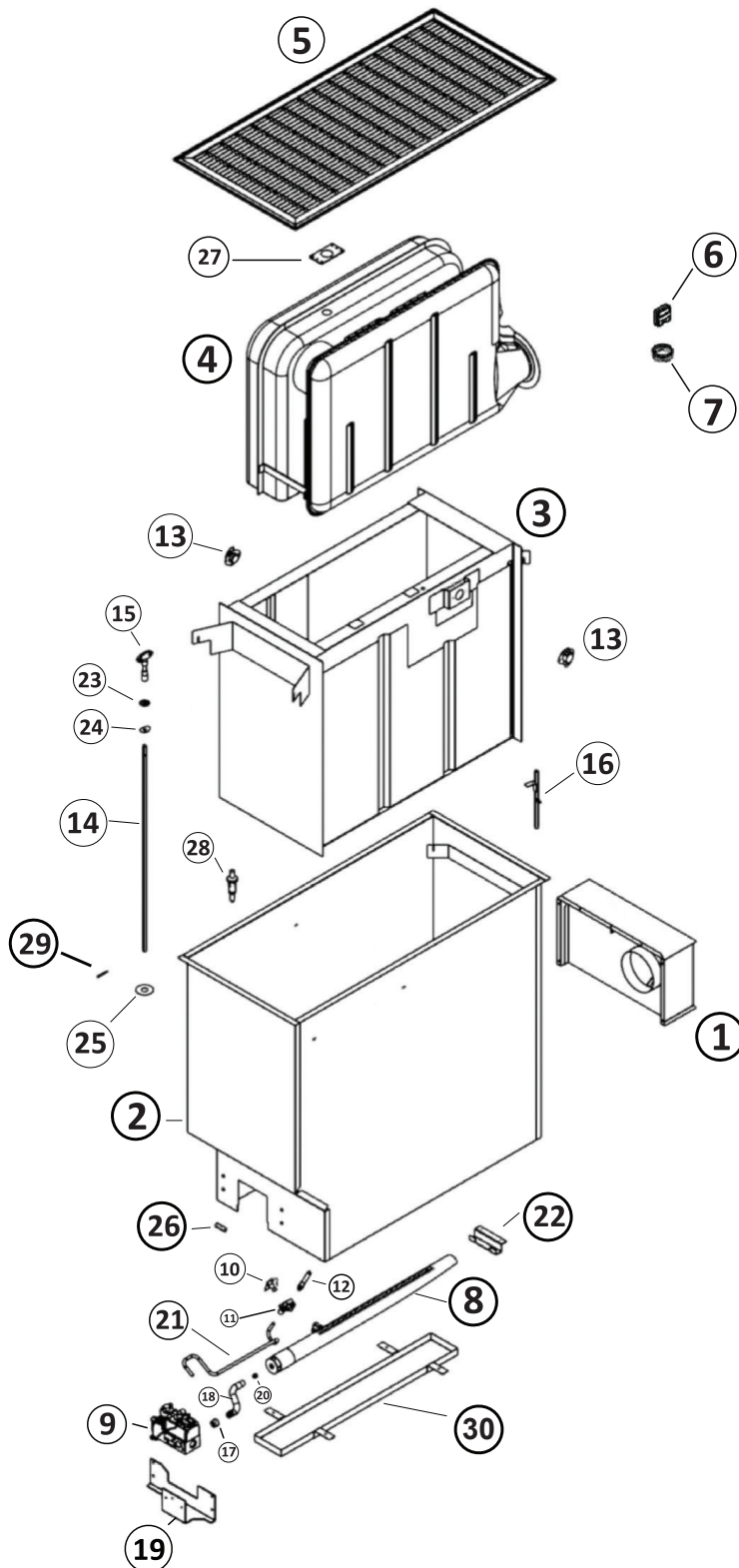
WILLIAMS GAS FLOOR FURNACE PARTS LIST

Ref. No.	Replacement Part Description	300562(1,2)	500562(1,2)	620562(1,2)
1	Draft hood (with gasket)	23200-K	24075-K	24477-K
2	Casing	M118750	M118759	M118763
3	Liner	M118721	M118728	M118732
4	Heat exchanger (with gasket)	M118756	M118757	M118758
5	Top grille	23145-10	24175-10	24475-10
6	Thermostat (millivolt)*	74592	74592	74592
7	Thermostat wire*	P710000	P710000	P710000
8	Burner	74401	74401	74402
9	Gas valve (natural gas)	P323935	P323935	P323935
	Gas valve (propane)	P323936	P323936	P323936
10	Igniter electrode	74350	74350	74350
11	Pilot (natural gas)	74410	74410	74410
	Pilot (propane)	P323981	P323981	P323981
12	Thermopile	P043801	P043801	P043801
13	Limit switch**	74306	74307	74308
14	Control rod	24035	24035	24035
15	Key	P322445	P322445	P322445
16	Warning flag assembly	24068	24068	24068
17	Bushing for manifold/gas valve	74414	74414	74414
18	Manifold	74416	74416	74416
19	Support bracket for gas valve	24430	24430	24430
20	Orifice (natural gas)	P090538	P332649	P090542
	Orifice (propane gas)	P090552	P332648	P090526
21	Pilot tube	M118719	M118719	M118775
22	Support bracket for burner	24430	24430	24430
23	Retainer ring	50278	50278	50278
24	Indicator plate	1016967	1016967	1016967
25	Washer for control rod	24044	24044	24044
26	Grommet for wire harness	78060	78060	78060
27	Sight window	23150	23150	23150
28	Piezo igniter	80016	80016	80016
29	Cotter pin	P500125	P500125	P500125
30	Burner pan assembly	24039	24039	24431
N/A	Gasket for heat exchanger	74530	74530	74532
N/A	Gasket, screws for draft hood	23225	24077	24077
N/A	Wire harness	74320	74321	74322
N/A	Wire for igniter	74351	74351	74351
N/A	Lighting instruction set	24740	24740	24740
N/A	Installation Kit	M118755	M118755	M118755
N/A	Instruction Manual	P323951	P323951	P323951

* Not included with the unit
 ** 2 required per unit

FLOOR FURNACE EXPLODED VIEW

ATTENTION: Contractors and qualified service technicians: We only sell parts through our wholesalers. For prompt parts service, contact the wholesaler from which you purchased your Williams heater.



NOTE: Parts & schematic drawings on current models are shown at: williamscomfortprod.com | Specifications subject to change without notice.