

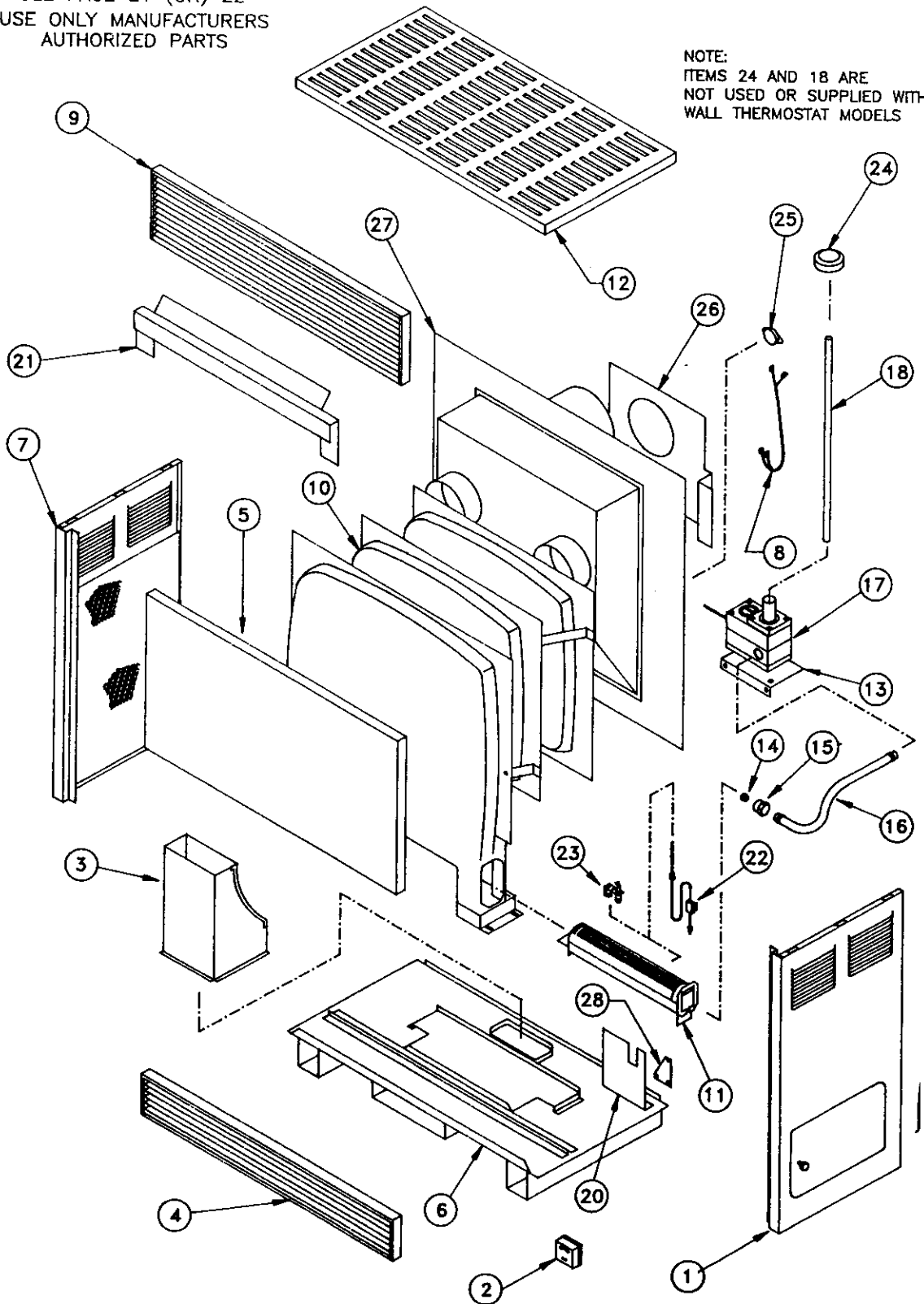
# WILLIAMS GAS FIRED ROOM HEATER

## REPLACEMENT PARTS

350, 500, & 650 MODEL SERIES  
(ENCLOSED CONSOLES)

FOR PARTS LISTING  
SEE PAGE 21 (OR) 22  
USE ONLY MANUFACTURERS  
AUTHORIZED PARTS

NOTE:  
ITEMS 24 AND 18 ARE  
NOT USED OR SUPPLIED WITH  
WALL THERMOSTAT MODELS



ENCLOSED CONSOLES  
REPLACEMENT PARTS FOR  
BUILT-IN THERMOSTAT MODELS

3501512    3501511    5001512    5001511    6501512    6501511  
3501912    3501911    5001912    5001911    6501912    6501911

KEY NO.	DESCRIPTION	3501512 3501912	3501511 3501911	5001512 5001912	5001511 5001911	6501512 6501912	6501511 6501911
1	PANEL SIDE (R.H.)	K000204	K000204	K000205	K000205	K000206	K000206
2	NOT USED (OR PROVIDED)	————	————	————	————	————	————
3	INLET DUCT	K7000-8022	K7000-8022	K7000-8022	K7000-8022	K7000-8022	K7000-8022
4	BOTTOM LOUVER ASSY.	K000182-1	K000182-1	K000182-2	K000182-2	K000182-3	K000182-3
5	CENTER PANEL	K000220	K000220	K000221	K000221	K000222	K000222
6	BOTTOM, CABINET	K5000-6003	K5000-6003	K5000-6004	K5000-6004	K5000-6019	K5000-6019
7	PANEL SIDE (L.H.)	K000207	K000207	K000208	K000208	K000209	K000209
8	WIRE ASSEMBLY	P500409	P500409	P500416	P500416	P500416	P500416
9	TOP LOUVER ASSEMBLY	K000181	K000181	K000212-1	K000212-1	K000212-2	K000212-2
10	COMBUSTION CHAMBER ASSY.	K000242	K000242	K000240	K000240	K000045	K000045
11	STEEL BURNER	P500244	P500244	P500245	P500245	P500246	P500246
12	CABINET COVER ASSY.	K000223	K000223	K000224	K000224	K000225	K000225
13	CONTROL BRACKET	K000147	K000147	K000147	K000147	K000147	K000147
14	BURNER ORIFICE	P500336	P500351	P500330	P500347	P500327	P500343
15	ORIFICE FITTING	P500086	P500086	P500086	P500086	P500086	P500086
16	MANIFOLD PIPE	P500087	P500087	P500088	P500088	P500089	P500089
17	GAS CONTROL VALVE	P500419	P500420	P500419	P500420	P500419	P500420
18	CONTROL ROD	K000148-1	K000148-1	K000148-2	K000148-2	K000148-2	K000148-2
★ 19	PILOT TUBE	P012000	P012000	P012000	P012000	P012000	P012000
20	GAS VALVE HEAT SHIELD	K000080	K000080	K000080	K000080	K000080	K000080
21	SHIELD COVER	————	————	K7011-8030	K7011-8030	K7011-8031	K7011-8031
22	THERMOCOUPLE	P321828	P321828	P321828	P321828	P322391	P322391
23	PILOT - BURNER	P500019	P500020	P500019	P500020	P500019	P500020
24	TEMPERATURE DIAL	P500126	P500126	P500126	P500126	P500126	P500126
25	VENT LIMIT CONTROL	P500472	P500472	P500406	P500406	P500118	P500118
26	HEAT SHIELD (REAR)	K7003-8370	K7003-8370	K7003-8371	K7003-8371	K7003-8372	K7003-8372
27	BACK PLATE	K000226	K000226	K000227	K000227	K000228	K000228
28	REAR CORNER BRACE	K7003-8097	K7003-8097	K7003-8097	K7003-8097	K7003-8097	K7003-8097

★ NOT SHOWN

NOTE: Screws, bolts and washers are standard hardware items and may be purchased locally

FOR PARTS ILLUSTRATION, SEE PAGE 20