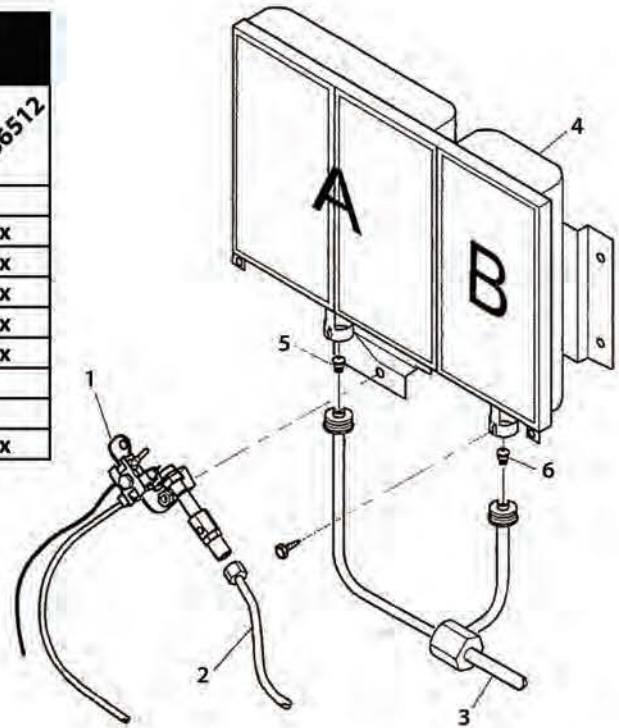


Infrared Vent-Free Heater

Model Numbers: 1686511, 1686541, 1886512, 1886542, 2686511, 2686541, 3086512, 3086542

BURNER ASSEMBLY

Reference Number	Description	Part Number	1686511	1886512
1	ODS/Pilot LP	120630-02	x	
	ODS/Pilot NG	120630-03		x
2	Pilot Tubing	099387-11	x	x
3	Outlet Tubing - Valve to Burner	104818-03	x	x
4	Burner	099218-08	x	x
5	Orifice - Plaque A	099056-24		x
	Orifice - Plaque A	099056-25	x	
6	Orifice - Plaque B	099056-01	x	
	Orifice - Plaque B	099056-02		x



BURNER ASSEMBLY

Reference Number	Description	Part Number	2686511	3086512
1	ODS/Pilot LP	120630-02	x	
	ODS/Pilot NG	120630-03		x
2	Pilot Tubing	099387-03	x	x
3	Outlet Tubing - Valve to Burner	104818-04	x	x
4	Burner	099218-08	x	x
5	Orifice - Plaque A or C	099056-24		x
	Orifice - Plaque A or C	099056-25	x	
6	Orifice - Plaque B	099056-01	x	
	Orifice - Plaque B	099056-02		x

