
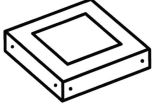

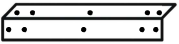



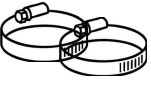



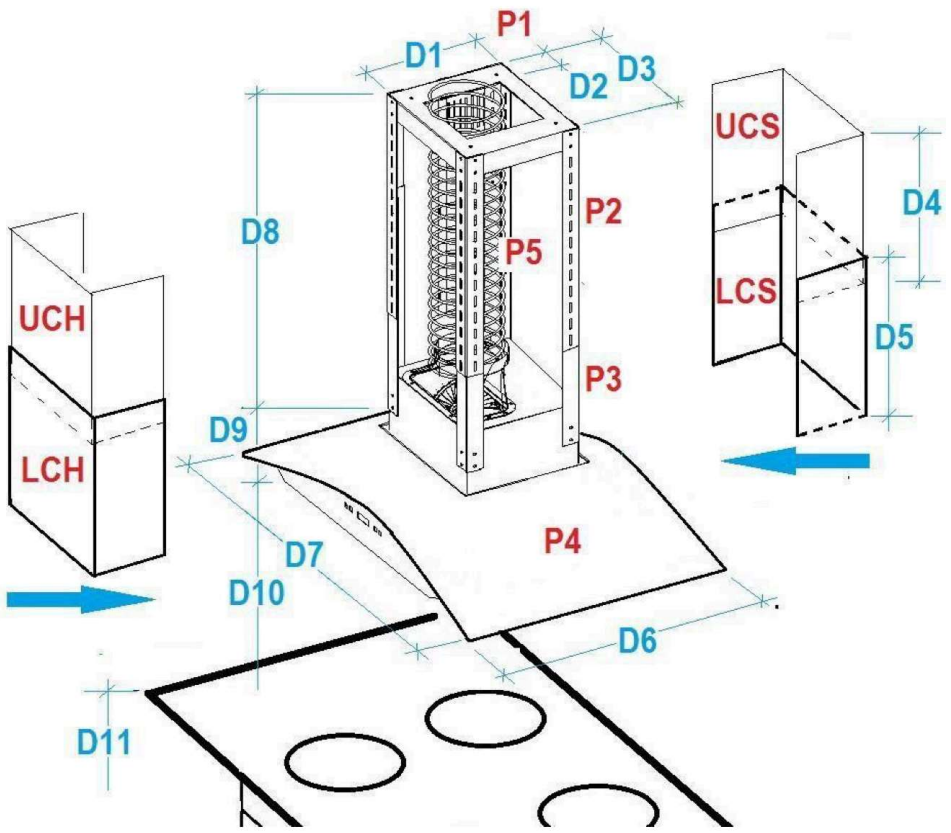


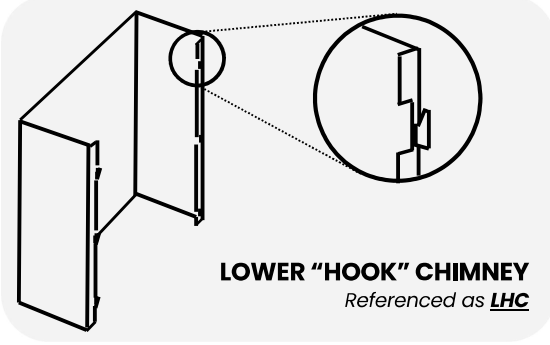
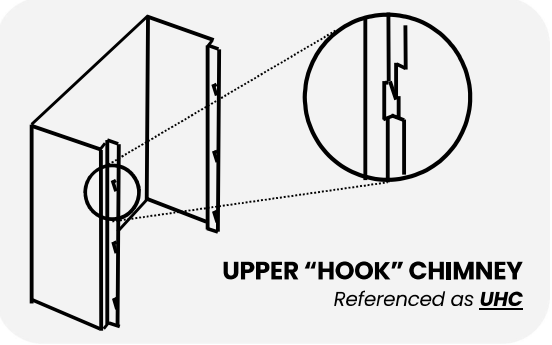
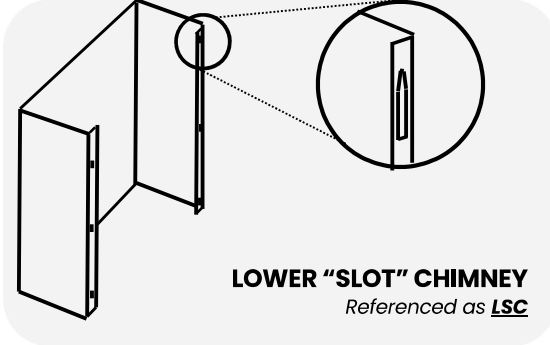
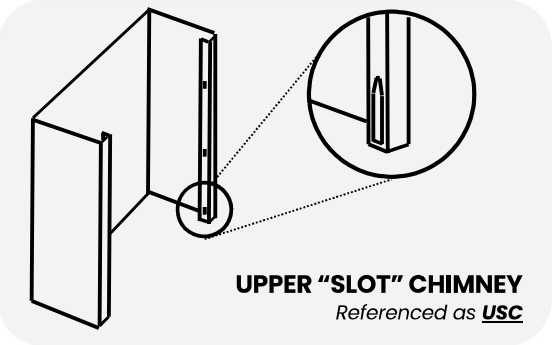
PARTS & DIMENSION GUIDE

- MANUAL BOOK**  1
- CEILING MOUNT BRACKET**  1
*Referenced as **P1***
- MULTI-HOLE BRACKET**  4
*Referenced as **P2***
- LOWER CHIMNEY BRACKET**  4
*Referenced as **P3***
- GLASS CANOPY**  1
*Referenced as **P4***
- 1 and 3/4" screw**  4
- ALUMINUM PIPE**  1
*Referenced as **P5***
- DUCT CLAMP**  2
- OIL CONTAINER**  1
Attached
- REMOTE CONTROL**  1
- BAFFLE FILTER**  2+
Quantity varies by size



	D1	D2	D3	D4	D5	D6	D7	D9
	10.5 inch	3.8 inch	12 5/8 inch	23.0 inch	19.0 inch	23.6 inch	29.5 inch	4.75 inch
Ceiling mount bracket depth		Ceiling mount bracket perimeter height	Ceiling mount bracket width	Upper chimney length	Lower chimney length	Glass depth	Glass width	Body height

D8: Total bracket length. See formula below
 $D8 = \text{CEILING HEIGHT FROM FLOOR} - D11 - D10 - D9$
 D10: Clearance from bottom of hood to cook top (26" to 30" as your design)
 D11: Cook top height from floor (36")



IMPORTANT:
 DUE TO THE WEIGHT AND SIZE OF THIS UNIT: **CEILING BRACKET MUST BE MOUNTED TO A WEIGHT-BEARING CEILING (SUPPORT SYSTEM OR FRAMEWORK BEING USED IS STABLE AND SECURE ON THE CEILING) ABLE TO SUPPORT AT LEAST TWICE THE WEIGHT OF THE HOOD.**

